

# DATA SHEET



## **SAA7114H**

**PAL/NTSC/SECAM video decoder  
with adaptive PAL/NTSC comb  
filter, VBI-data slicer and high  
performance scaler**

Preliminary specification  
File under Integrated Circuits, IC22

2000 Mar 15

# PAL/NTSC/SECAM video decoder with adaptive PAL/NTSC comb filter, VBI-data slicer and high performance scaler

## SAA7114H

<b>CONTENTS</b>	10	<b>BOUNDARY SCAN TEST</b>
1	FEATURES	10.1 Initialization of boundary scan circuit
1.1	Video decoder	10.2 Device identification codes
1.2	Video scaler	11 LIMITING VALUES
1.3	Vertical Blanking Interval (VBI) data decoder and slicer	12 THERMAL CHARACTERISTICS
1.4	Audio clock generation	13 CHARACTERISTICS
1.5	Digital I/O interfaces	14 APPLICATION INFORMATION
1.6	Miscellaneous	15 I <sup>2</sup> C-BUS DESCRIPTION
2	APPLICATIONS	15.1 I <sup>2</sup> C-bus format
3	GENERAL DESCRIPTION	15.2 I <sup>2</sup> C-bus details
4	QUICK REFERENCE DATA	15.3 Programming register audio clock generation
5	ORDERING INFORMATION	15.4 Programming register VBI-data slicer
6	BLOCK DIAGRAM	15.5 Programming register interfaces and scaler part
7	PINNING	16 PROGRAMMING START SET-UP
8	FUNCTIONAL DESCRIPTION	16.1 Decoder part
8.1	Decoder	16.2 Audio clock generation part
8.2	Decoder output formatter	16.3 Data slicer and data type control part
8.3	Scaler	16.4 Scaler and interfaces
8.4	VBI-data decoder and capture (subaddresses 40H to 7FH)	17 PACKAGE OUTLINE
8.5	Image port output formatter (subaddresses 84H to 87H)	18 SOLDERING
8.6	Audio clock generation (subaddresses 30H to 3FH)	18.1 Introduction to soldering surface mount packages
9	INPUT/OUTPUT INTERFACES AND PORTS	18.2 Reflow soldering
9.1	Analog terminals	18.3 Wave soldering
9.2	Audio clock signals	18.4 Manual soldering
9.3	Clock and real-time synchronization signals	18.5 Suitability of surface mount IC packages for wave and reflow soldering methods
9.4	Video expansion port (X-port)	19 DEFINITIONS
9.5	Image port (I-port)	20 LIFE SUPPORT APPLICATIONS
9.6	Host port for 16-bit extension of video data I/O (H-port)	21 PURCHASE OF PHILIPS I <sup>2</sup> C COMPONENTS
9.7	Basic input and output timing diagrams I-port and X-port	

# PAL/NTSC/SECAM video decoder with adaptive PAL/NTSC comb filter, VBI-data slicer and high performance scaler

SAA7114H

## 1 FEATURES

### 1.1 Video decoder

- Six analog inputs, internal analog source selectors, e.g.  $6 \times$  CVBS or  $(2 \times$  Y/C and  $2 \times$  CVBS) or  $(1 \times$  Y/C and  $4 \times$  CVBS)
- Two analog preprocessing channels in differential CMOS style inclusive built-in analog anti-alias filters
- Fully programmable static gain or Automatic Gain Control (AGC) for the selected CVBS or Y/C channel
- Automatic Clamp Control (ACC) for CVBS, Y and C
- Switchable white peak control
- Two 9-bit video CMOS Analog-to-Digital Converters (ADCs), digitized CVBS or Y/C signals are available on the expansion port
- On-chip line-locked clock generation according "ITU 601"
- Digital PLL for synchronization and clock generation from all standards and non-standard video sources e.g. consumer grade VTR
- Requires only one crystal (32.11 or 24.576 MHz) for all standards
- Horizontal and vertical sync detection
- Automatic detection of 50 and 60 Hz field frequency, and automatic switching between PAL and NTSC standards
- Luminance and chrominance signal processing for PAL BGDHIN, combination PAL N, PAL M, NTSC M, NTSC-Japan, NTSC 4.43 and SECAM
- Adaptive 2/4-line comb filter for two dimensional chrominance/luminance separation
  - Increased luminance and chrominance bandwidth for all PAL and NTSC standards
  - Reduced cross colour and cross luminance artefacts
- PAL delay line for correcting PAL phase errors
- Independent Brightness Contrast Saturation (BCS) adjustment for decoder part
- User programmable sharpness control
- Independent gain and offset adjustment for raw data path.



### 1.2 Video scaler

- Horizontal and vertical down-scaling and up-scaling to randomly sized windows
- Horizontal and vertical scaling range: variable zoom to  $\frac{1}{64}$  (icon); it should be noted that the H and V zoom are restricted by the transfer data rates
- Anti-alias and accumulating filter for horizontal scaling
- Vertical scaling with linear phase interpolation and accumulating filter for anti-aliasing (6-bit phase accuracy)
- Horizontal phase correct up and down scaling for improved signal quality of scaled data, especially for compression and video phone applications, with 6-bit phase accuracy (1.2 ns step width)
- Two independent programming sets for scaler part, to define two 'ranges' per field or sequences over frames
- Fieldwise switching between decoder part and expansion port (X-port) input
- Brightness, contrast and saturation controls for scaled outputs.

### 1.3 Vertical Blanking Interval (VBI) data decoder and slicer

- Versatile VBI-data decoder, slicer, clock regeneration and byte synchronization e.g. for World Standard Teletext (WST), North-American Broadcast Text System (NABTS), close caption, Wide Screen Signalling (WSS) etc.

### 1.4 Audio clock generation

- Generation of a field locked audio master clock to support a constant number of audio clocks per video field
- Generation of an audio serial and left/right (channel) clock signal.

# PAL/NTSC/SECAM video decoder with adaptive PAL/NTSC comb filter, VBI-data slicer and high performance scaler

SAA7114H

## 1.5 Digital I/O interfaces

- Real-time signal port (R port), inclusive continuous line-locked reference clock and real-time status information supporting RTC level 3.1 (refer to external document “*RTC Functional Specification*” for details)
- Bi-directional expansion port (X-port) with half duplex functionality (D1), 8-bit YUV
  - Output from decoder part, real-time and unscaled
  - Input to scaler part, e.g. video from MPEG decoder (extension to 16-bit possible)
- Video image port (I-port) configurable for 8-bit data (extension to 16-bit possible) in master mode (own clock), or slave mode (external clock), with auxiliary timing and hand shake signals
- Discontinuous data streams supported
- 32-word × 4-byte FIFO register for video output data
- 28-word × 4-byte FIFO register for decoded VBI output data
- Scaled 4 : 2 : 2, 4 : 1 : 1, 4 : 2 : 0, 4 : 1 : 0 YUV output
- Scaled 8-bit luminance only and raw CVBS data output
- Sliced, decoded VBI-data output.

## 1.6 Miscellaneous

- Power-on control
- 5 V tolerant digital inputs and I/O ports
- Software controlled power saving standby modes supported
- Programming via serial I<sup>2</sup>C-bus, full read-back ability by an external controller, bit rate up to 400 kbits/s
- Boundary scan test circuit complies with the “*IEEE Std. 1149.b1 - 1994*”.

## 2 APPLICATIONS

- Desktop video
- Multimedia
- Digital television
- Image processing
- Video phone applications.

## 3 GENERAL DESCRIPTION

The SAA7114H is a video capture device for applications at the image port of VGA controllers.

The SAA7114H is a combination of a two-channel analog preprocessing circuit including source selection, anti-aliasing filter and ADC, an automatic clamp and gain control, a Clock Generation Circuit (CGC), a digital multi-standard decoder containing two-dimensional chrominance/luminance separation by an adaptive comb filter and a high performance scaler, including variable horizontal and vertical up and down scaling and a brightness, contrast and saturation control circuit.

It is a highly integrated circuit for desktop video applications. The decoder is based on the principle of line-locked clock decoding and is able to decode the colour of PAL, SECAM and NTSC signals into ITU 601 compatible colour component values. The SAA7114H accepts as analog inputs CVBS or S-video (Y/C) from TV or VCR sources, including weak and distorted signals. An expansion port (X-port) for digital video (bi-directional half duplex, D1 compatible) is also supported to connect to MPEG or video phone codec. At the so called image port (I-port) the SAA7114H supports 8 or 16-bit wide output data with auxiliary reference data for interfacing to VGA controllers.

The target application for SAA7114H is to capture and scale video images, to be provided as digital video stream through the image port of a VGA controller, for display via VGA's frame buffer, or for capture to system memory.

In parallel SAA7114H incorporates also provisions for capturing the serially coded data in the vertical blanking interval (VBI-data). Two principal functions are available:

1. To capture raw video samples, after interpolation to the required output data rate, via the scaler
2. A versatile data slicer (data recovery) unit.

SAA7114H incorporates also a field locked audio clock generation. This function ensures that there is always the same number of audio samples associated with a field, or a set of fields. This prevents the loss of synchronization between video and audio, during capture or playback.

The circuit is I<sup>2</sup>C-bus controlled (full write/read capability for all programming registers, bit rate up to 400 kbits/s).

**PAL/NTSC/SECAM video decoder with adaptive PAL/NTSC  
comb filter, VBI-data slicer and high performance scaler**

**SAA7114H**

**4 QUICK REFERENCE DATA**

SYMBOL	PARAMETER	MIN.	TYP.	MAX.	UNIT
V <sub>DDD</sub>	digital supply voltage	3.0	3.3	3.6	V
V <sub>DDDC</sub>	digital core supply voltage	3.0	3.3	3.6	V
V <sub>DDA</sub>	analog supply voltage	3.1	3.3	3.5	V
T <sub>amb</sub>	operating ambient temperature	0	–	70	°C
P <sub>A+D</sub>	analog and digital power dissipation; note 1	–	0.45	–	W

**Note**

1. Power dissipation is measured in CVBS input mode (only one ADC active) and 8-bit image port output mode, expansion port is 3-stated.

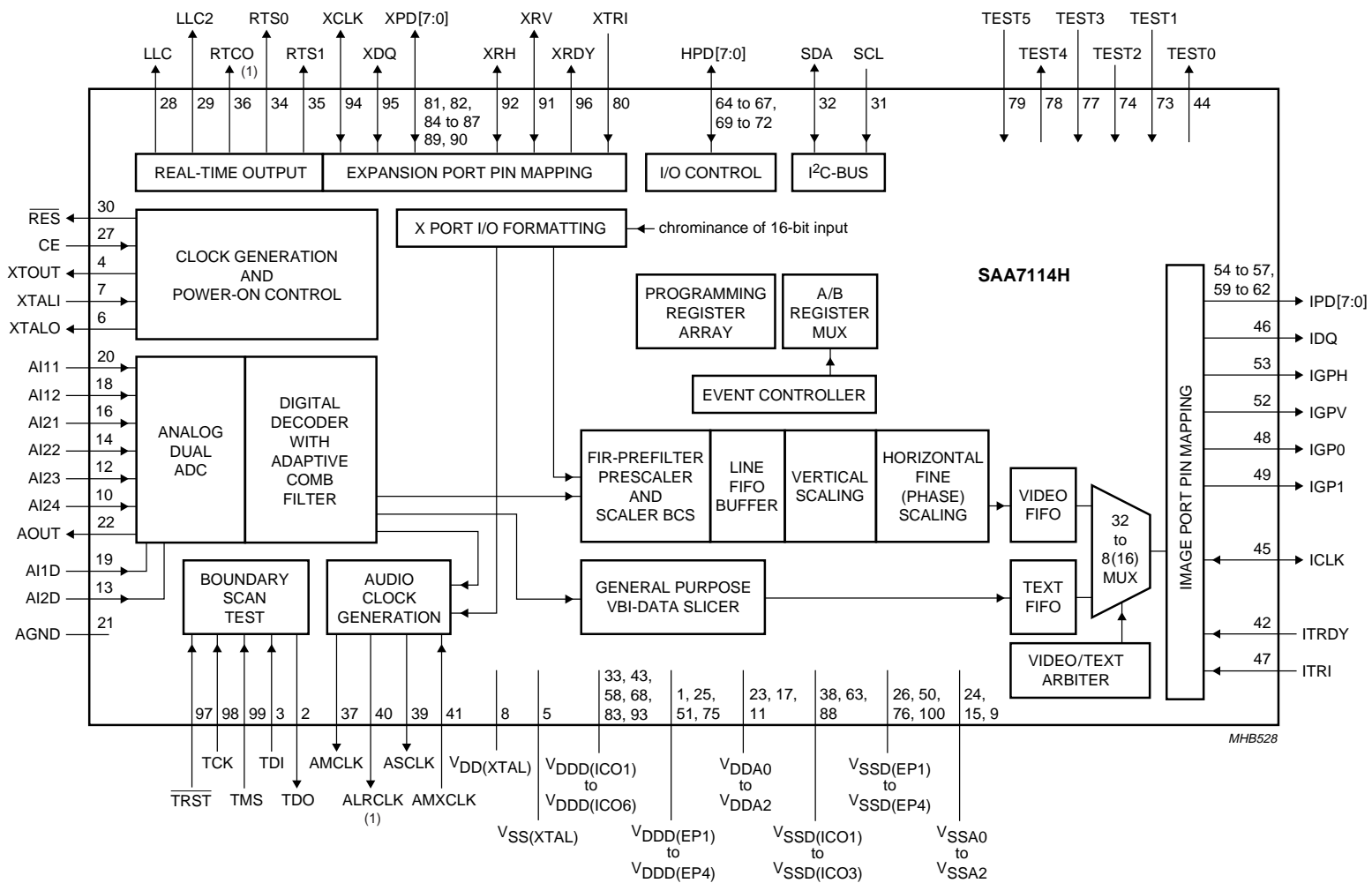
**5 ORDERING INFORMATION**

TYPE NUMBER	PACKAGE		
	NAME	DESCRIPTION	VERSION
SAA7114H	LQFP100	plastic low profile quad flat package; 100 leads; body 14 × 14 × 1.4 mm	SOT407-1

PAL/NTSC/SECAM video decoder with adaptive PAL/NTSC comb filter, VBI-data slicer and high performance scaler

SAA7114H

6 BLOCK DIAGRAM



(1) The pins RTCO and ALRCLK are used for configuration of the I<sup>2</sup>C-bus interface and the definition of the crystal oscillator frequency at RESET (pin strapping).

Fig.1 Block diagram.

**PAL/NTSC/SECAM video decoder with adaptive PAL/NTSC  
comb filter, VBI-data slicer and high performance scaler**

**SAA7114H**

**7 PINNING**

SYMBOL	PIN	TYPE	DESCRIPTION
V <sub>DDD(EP1)</sub>	1	P	external digital pad supply voltage 1 (+3.3 V)
TDO	2	O	test data output for boundary scan test; note 1
TDI	3	I	test data input for boundary scan test; note 1
XTOUT	4	O	crystal oscillator output signal; auxiliary signal
V <sub>SS(XTAL)</sub>	5	P	ground for crystal oscillator
XTALO	6	O	24.576 MHz (32.11 MHz) crystal oscillator output; not connected if TTL clock input of XTALI is used
XTALI	7	I	input terminal for 24.576 MHz (32.11 MHz) crystal oscillator or connection of external oscillator with TTL compatible square wave clock signal
V <sub>DD(XTAL)</sub>	8	P	supply voltage for crystal oscillator
V <sub>SSA2</sub>	9	P	ground for analog inputs AI2n
AI24	10	I	analog input 24
V <sub>DDA2</sub>	11	P	analog supply voltage for analog inputs AI2n (+3.3 V)
AI23	12	I	analog input 23
AI2D	13	I	differential input for ADC channel 2 (pins AI24, AI23, AI22 and AI21)
AI22	14	I	analog input 22
V <sub>SSA1</sub>	15	P	ground for analog inputs AI1n
AI21	16	I	analog input 21
V <sub>DDA1</sub>	17	P	analog supply voltage for analog inputs AI1n (+3.3 V)
AI12	18	I	analog input 12
AI1D	19	I	differential input for ADC channel 1 (pins AI12 and AI11)
AI11	20	I	analog input 11
AGND	21	P	analog ground connection
AOUT	22	O	do not connect; analog test output
V <sub>DDA0</sub>	23	P	analog supply voltage (+3.3 V) for internal Clock Generation Circuit (CGC)
V <sub>SSA0</sub>	24	P	ground for internal clock generation circuit
V <sub>DDD(EP2)</sub>	25	P	external digital pad supply voltage 2 (+3.3 V)
V <sub>SSD(EP1)</sub>	26	P	external digital pad supply ground 1
CE	27	I	chip enable or reset input (with internal pull-up)
LLC	28	O	line-locked system clock output (27 MHz nominal)
LLC2	29	O	line-locked 1/2 clock output (13.5 MHz nominal)
RES	30	O	reset output (active LOW)
SCL	31	I(O)	serial clock input (I <sup>2</sup> C-bus) with inactive output path
SDA	32	I/O	serial data input/output (I <sup>2</sup> C-bus)
V <sub>DDD(IC01)</sub>	33	P	internal digital core supply voltage 1 (+3.3 V)
RTS0	34	O	real-time status or sync information, controlled by subaddresses 11H and 12H;
RTS1	35	O	see Section 15.2.18, 15.2.19 and 15.2.20

**PAL/NTSC/SECAM video decoder with adaptive PAL/NTSC  
comb filter, VBI-data slicer and high performance scaler**

**SAA7114H**

SYMBOL	PIN	TYPE	DESCRIPTION
RTCO	36	(I/O)	real-time control output; contains information about actual system clock frequency, field rate, odd/even sequence, decoder status, subcarrier frequency and phase and PAL sequence (see external document " <i>RTC Functional Description</i> ", available on request); the RTCO pin is enabled via I <sup>2</sup> C-bus bit RTCE; see notes 2, 3 and Table 34
AMCLK	37	O	audio master clock output, up to 50% of crystal clock
V <sub>SSD(ICO1)</sub>	38	P	internal digital core supply ground 1
ASCLK	39	O	audio serial clock output
ALRCLK	40	(I/O)	audio left/right clock output; can be strapped to supply via a 3.3 kΩ resistor to indicate that the default 24.576 MHz crystal (ALRCLK = 0; internal pull-down) has been replaced by a 32.110 MHz crystal (ALRCLK = 1); see notes 2 and 4
AMXCLK	41	I	audio master external clock input
ITRDY	42	I	target ready input, image port (with internal pull-up)
V <sub>DDD(ICO2)</sub>	43	P	internal digital core supply voltage 2 (+3.3 V)
TEST0	44	O	do not connect; reserved for future extensions and for testing: scan output
ICLK	45	I/O	clock output signal for image port, or optional asynchronous back-end clock input
IDQ	46	O	output data qualifier for image port (optional: gated clock output)
ITRI	47	I(O)	image port output control signal, effects all input port pins inclusive ICLK, enable and active polarity is under software control (bits IPE in subaddress 87H); output path used for testing: scan output
IGP0	48	O	general purpose output signal 0; image port (controlled by subaddresses 84H and 85H)
IGP1	49	O	general purpose output signal 1; image port (controlled by subaddresses 84H and 85H)
V <sub>SSD(EP2)</sub>	50	P	external digital pad supply ground 2
V <sub>DDD(EP3)</sub>	51	P	external digital pad supply voltage 3 (+3.3 V)
IGPV	52	O	multi purpose vertical reference output signal; image port (controlled by subaddresses 84H and 85H)
IGPH	53	O	multi purpose horizontal reference output signal; image port (controlled by subaddresses 84H and 85H)
IPD7 to IPD4	54 to 57	O	image port data outputs
V <sub>DDD(ICO3)</sub>	58	P	internal digital core supply voltage 3 (+3.3 V)
IPD3 to IPD0	59 to 62	O	image port data output
V <sub>SSD(ICO2)</sub>	63	P	internal digital core supply ground 2
HPD7 to HPD4	64 to 67	I/O	host port data I/O, carries UV chrominance information in 16-bit video I/O modes
V <sub>DDD(ICO4)</sub>	68	P	internal digital core supply voltage 4 (+3.3 V)
HPD3 to HPD0	69 to 72	I/O	host port data I/O, carries UV chrominance information in 16-bit video I/O modes
TEST1	73	I	do not connect; reserved for future extensions and for testing: scan input
TEST2	74	I	do not connect; reserved for future extensions and for testing: scan input
V <sub>DDD(EP4)</sub>	75	P	external digital pad supply voltage 4 (+3.3 V)
V <sub>SSD(EP3)</sub>	76	P	external digital pad supply ground 3
TEST3	77	I	do not connect; reserved for future extensions and for testing: scan input



**PAL/NTSC/SECAM video decoder with adaptive PAL/NTSC  
comb filter, VBI-data slicer and high performance scaler**

**SAA7114H**

SYMBOL	PIN	TYPE	DESCRIPTION
TEST4	78	O	do not connect; reserved for future extensions and for testing: scan output
TEST5	79	I	do not connect; reserved for future extensions and for testing: scan input
XTRI	80	I	X-port output control signal, affects all X-port pins (XPD7 to XPD0, XRH, XRV, XDQ and XCLK), enable and active polarity is under software control (bits XPE in subaddress 83H)
XPD7	81	I/O	expansion port data
XPD6	82	I/O	expansion port data
V <sub>DD(ICO5)</sub>	83	P	internal digital core supply voltage 5 (+3.3 V)
XPD5 to XPD2	84 to 87	I/O	expansion port data
V <sub>SS(ICO3)</sub>	88	P	internal digital core supply ground 3
XPD1	89	I/O	expansion port data
XPD0	90	I/O	expansion port data
XRV	91	I/O	vertical reference I/O expansion port
XRH	92	I/O	horizontal reference I/O expansion port
V <sub>DD(ICO6)</sub>	93	P	internal digital core supply voltage 6 (+3.3 V)
XCLK	94	I/O	clock I/O expansion port
XDQ	95	I/O	data qualifier I/O expansion port
XRDY	96	O	task flag or ready signal from scaler, controlled by XRQT
$\overline{\text{TRST}}$	97	I	test reset input (active LOW), for boundary scan test (with internal pull-up); notes 5 and 6
TCK	98	I	test clock for boundary scan test; note 1
TMS	99	I	test mode select input for boundary scan test or scan test; note 1
V <sub>SS(EP4)</sub>	100	P	external digital pad supply ground 4

### Notes

1. In accordance with the "IEEE1149.1" standard the pads TDI, TMS, TCK and  $\overline{\text{TRST}}$  are input pads with an internal pull-up transistor and TDO is a 3-state output pad.
2. Pin strapping is done by connecting the pin to supply via a 3.3 k $\Omega$  resistor. During the power-up reset sequence the corresponding pins are switched to input mode to read the strapping level. For the default setting no strapping resistor is necessary (internal pull-down).
3. Pin RTCO: operates as I<sup>2</sup>C-bus slave address pin; RTCO = 0 slave address 42H/43H (default); RTCO = 1 slave address 40H/41H.
4. Pin ALRCLK: 0 = 24.576 MHz crystal (default); 1 = 32.110 MHz crystal.
5. For board design without boundary scan implementation connect the  $\overline{\text{TRST}}$  pin to ground.
6. This pin provides easy initialization of the Boundary Scan Test (BST) circuit.  $\overline{\text{TRST}}$  can be used to force the Test Access Port (TAP) controller to the TEST\_LOGIC\_RESET state (normal operation) at once.

PAL/NTSC/SECAM video decoder with adaptive PAL/NTSC comb filter, VBI-data slicer and high performance scaler

SAA7114H

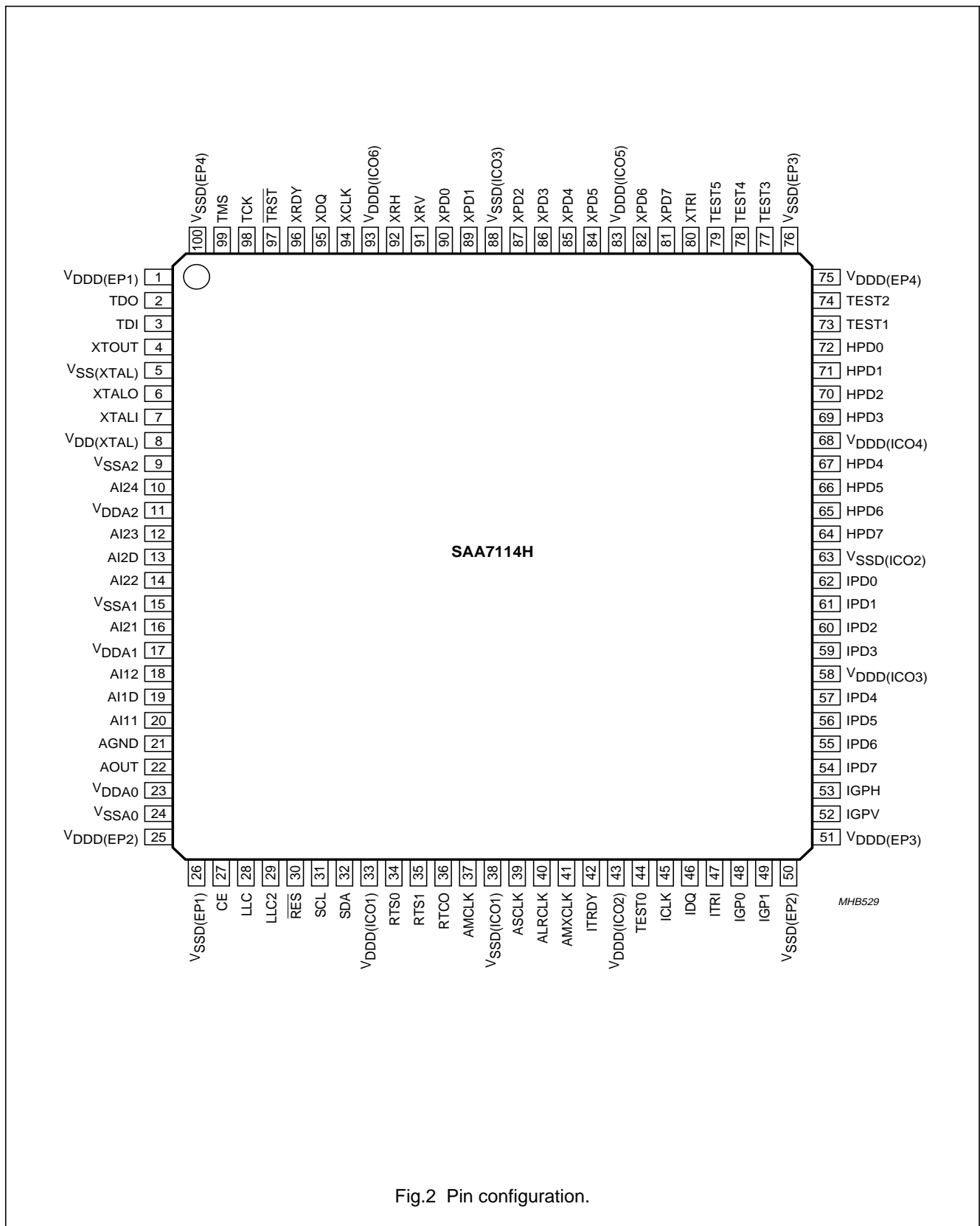


Fig.2 Pin configuration.

PAL/NTSC/SECAM video decoder with adaptive PAL/NTSC  
comb filter, VBI-data slicer and high performance scaler

SAA7114H

**Table 1** 8-bit/16-bit and alternative pin functional configurations

PIN	SYMBOL	8-BIT INPUT MODES	16-BIT INPUT MODES (ONLY FOR I <sup>2</sup> C-BUS PROGRAMMING)	ALTERNATIVE INPUT FUNCTIONS	8-BIT OUTPUT MODES	16-BIT OUTPUT MODES (ONLY FOR I <sup>2</sup> C-BUS PROGRAMMING)	ALTERNATIVE OUTPUT FUNCTIONS	I/O CONFIGURATION PROGRAMMING BITS
81, 82, 84 to 87, 89, 90	XPD7 to XPD0	D1 data input	Y data input		D1 decoder output			XCODE[92H[3]] XPE[1:0]83H[1:0] + pin XTRI
94	XCLK	clock input		gated clock input	decoder clock output			XPE[1:0]83H[1:0] + pin XTRI XPKK[1:0]83H[5:4] XCKS[92H[0]]
95	XDQ	data qualifier input			data qualifier output (HREF and VREF gate)			XDQ[92H[1]] XPE[1:0]83H[1:0] + pin XTRI
96	XRDY	input ready output		active task A/B flag				XRQT[83H[2]] XPE[1:0]83H[1:0] + pin XTRI
92	XRH	horizontal reference input			decoder horizontal reference output			XDH[92H[2]] XPE[1:0]83H[1:0] + pin XTRI
91	XRV	vertical reference input			decoder vertical reference output			XDV[1:0]92H[5:4] XPE[1:0]83H[1:0] + pin XTRI
80	XTRI	output enable input						XPE[1:0]83H[1:0]
64 to 67, 69 to 72	HPD7 to HPD0		UV data input			UV scaler output		ICODE[93H[7]] ISWP[1:0]85H[7:6] I8_16[93H[6]] IPE[1:0]87H[1:0] + pin ITRI

PAL/NTSC/SECAM video decoder with adaptive PAL/NTSC  
comb filter, VBI-data slicer and high performance scaler

SAA7114H

PIN	SYMBOL	8-BIT INPUT MODES	16-BIT INPUT MODES (ONLY FOR I <sup>2</sup> C-BUS PROGRAMMING)	ALTERNATIVE INPUT FUNCTIONS	8-BIT OUTPUT MODES	16-BIT OUTPUT MODES (ONLY FOR I <sup>2</sup> C-BUS PROGRAMMING)	ALTERNATIVE OUTPUT FUNCTIONS	I/O CONFIGURATION PROGRAMMING BITS
54 to 57, 59 to 62	IPD7 to IPD0				D1 scaler output	Y scaler output		ICODE[93H[7]] ISWP[1:0]85H[7:6] I8_16[93H[6]] IPE[1:0]87H[1:0] + pin ITRI
45	ICLK				clock output		clock input	ICKS[1:0]80H[1:0] IPE[1:0]87H[1:0] + pin ITRI
46	IDQ				data qualifier output		gated clock output	ICKS[3:2]80H[3:2] IDQP[85H[0]] IPE[1:0]87H[1:0] + pin ITRI
42	ITRDY				target ready input			
53	IGPH				H-gate output		extended H-gate, horizontal pulses	IDH[1:0]84H[1:0] IRHP[85H[1]] IPE[1:0]87H[1:0] + pin ITRI
52	IGPV				V-gate output		V-sync, vertical pulses	IDV[1:0]84H[3:2] IRVP[85H[2]] IPE[1:0]87H[1:0] + pin ITRI
49	IGP1				general purpose			IDG1[1:0]84H[5:4] IG1P[85H[3]] IPE[1:0]87H[1:0] + pin ITRI
48	IGP0				general purpose			IDG0[1:0]84H[7:6] IG0P[85H[4]] IPE[1:0]87H[1:0] + pin ITRI
47	ITRI				output enable input			

PAL/NTSC/SECAM video decoder with adaptive PAL/NTSC comb filter, VBI-data slicer and high performance scaler

SAA7114H

8 FUNCTIONAL DESCRIPTION

8.1 Decoder

8.1.1 ANALOG INPUT PROCESSING

The SAA7114H offers six analog signal inputs, two analog main channels with source switch, clamp circuit, analog amplifier, anti-alias filter and video 9-bit CMOS ADC; see Fig.6.

8.1.2 ANALOG CONTROL CIRCUITS

The anti-alias filters are adapted to the line-locked clock frequency via a filter control circuit. The characteristics are shown in Fig.3. During the vertical blanking period, gain and clamping control are frozen.

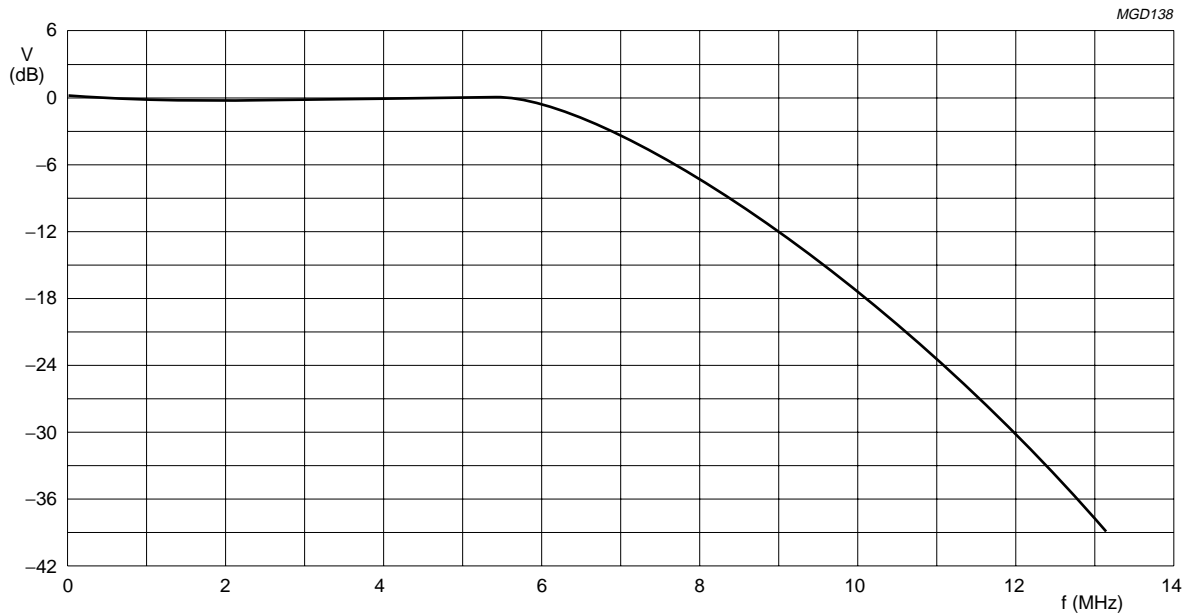


Fig.3 Anti-alias filter.

# PAL/NTSC/SECAM video decoder with adaptive PAL/NTSC comb filter, VBI-data slicer and high performance scaler

## SAA7114H

### 8.1.2.1 Clamping

The clamp control circuit controls the correct clamping of the analog input signals. The coupling capacitor is also used to store and filter the clamping voltage. An internal digital clamp comparator generates the information with respect to clamp-up or clamp-down. The clamping levels for the two ADC channels are fixed for luminance (60) and chrominance (128). Clamping time in normal use is set with the HCL pulse at the back porch of the video signal.

### 8.1.2.2 Gain control

The gain control circuit receives (via the I<sup>2</sup>C-bus) the static gain levels for the two analog amplifiers or controls one of these amplifiers automatically via a built-in Automatic Gain Control (AGC) as part of the Analog Input Control (AICO).

The AGC (automatic gain control for luminance) is used to amplify a CVBS or Y signal to the required signal amplitude, matched to the ADCs input voltage range. The AGC active time is the sync bottom of the video signal.

Signal (white) peak control limits the gain at signal overshoots. The flow charts (see Figs 7 and 8) show more details of the AGC. The influence of supply voltage variation within the specified range is automatically eliminated by clamp and automatic gain control.

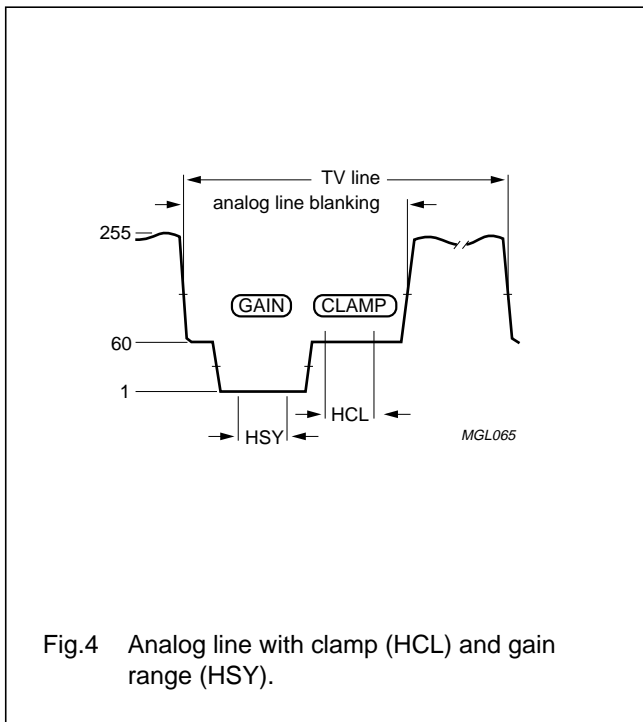


Fig.4 Analog line with clamp (HCL) and gain range (HSY).

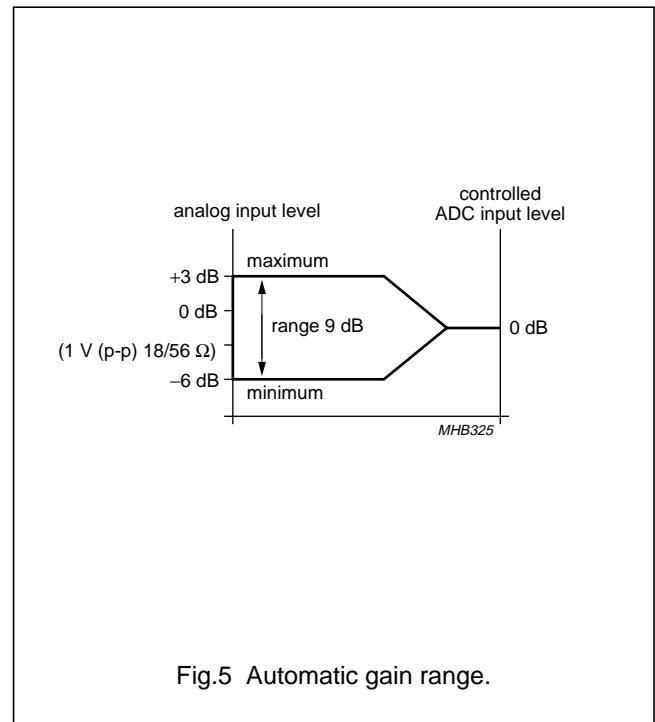


Fig.5 Automatic gain range.

PAL/NTSC/SECAM video decoder with adaptive PAL/NTSC comb filter, VBI-data slicer and high performance scaler

SAA7114H

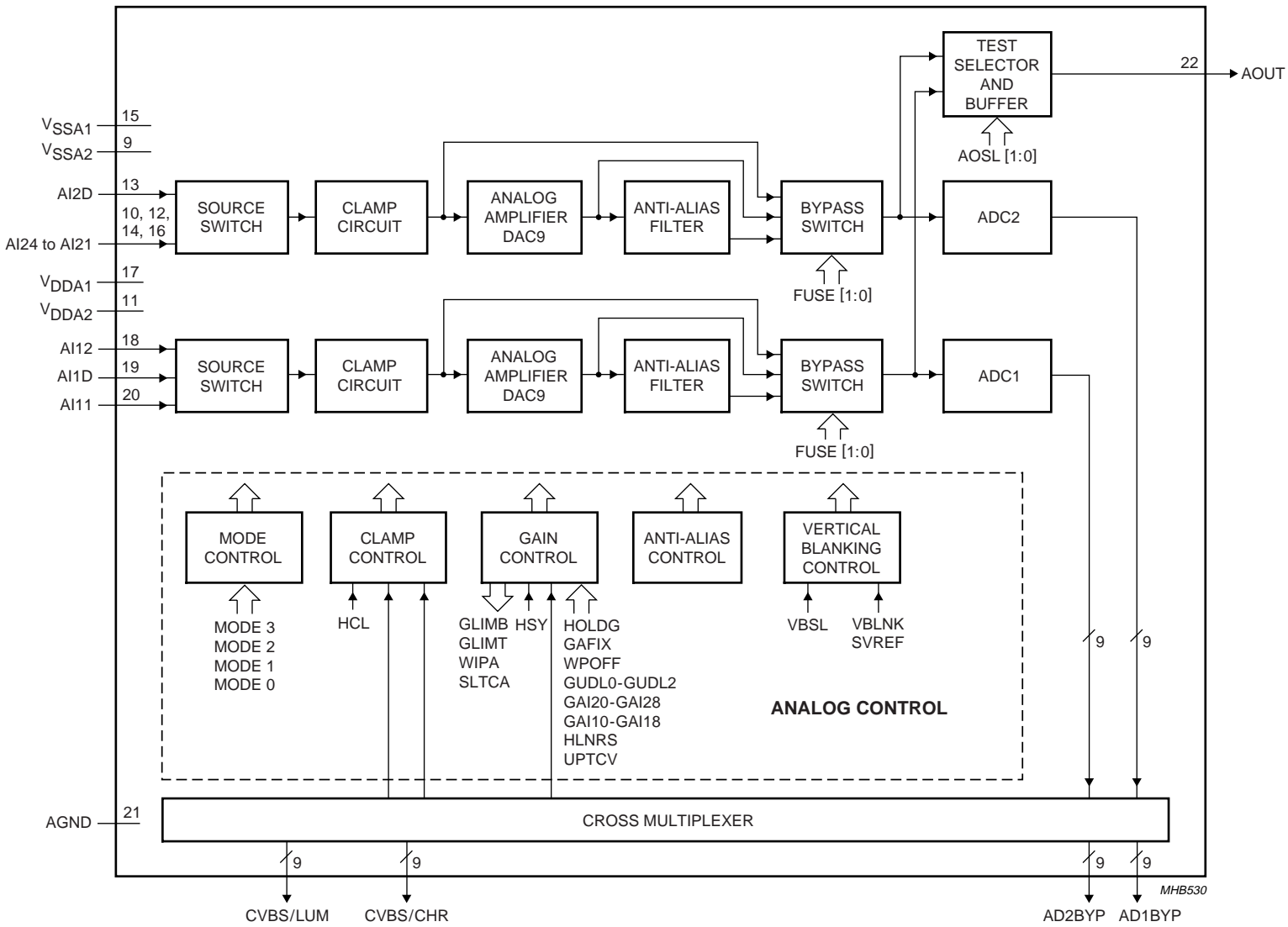
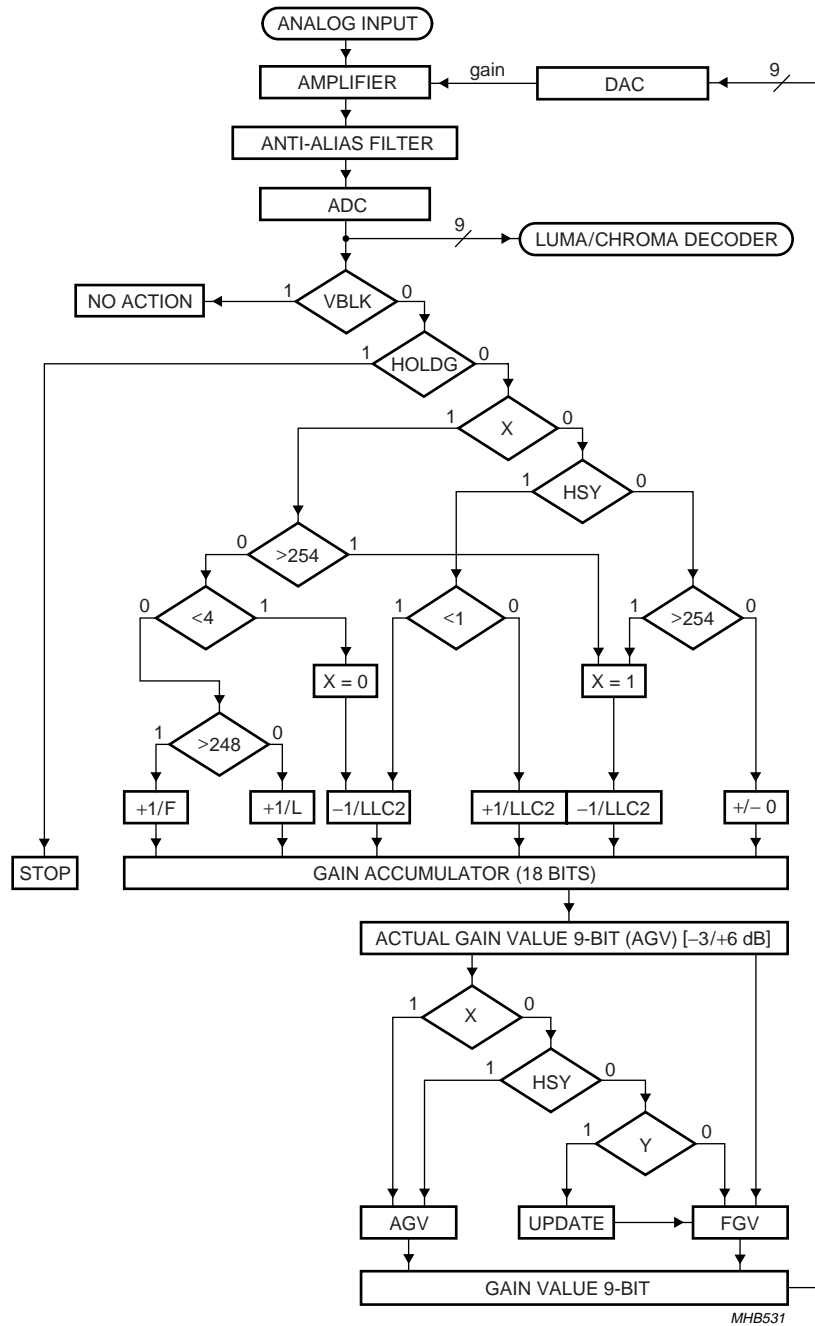


Fig.6 Analog input processing using the SAA7114H as differential front-end with 9-bit ADC.

PAL/NTSC/SECAM video decoder with adaptive PAL/NTSC comb filter, VBI-data slicer and high performance scaler

SAA7114H



X = system variable.  
 Y = (IAGV – FGVI) > GUDL.  
 VBLK = vertical blanking pulse.  
 HSY = horizontal sync pulse.  
 AGV = actual gain value.  
 FGV = frozen gain value.

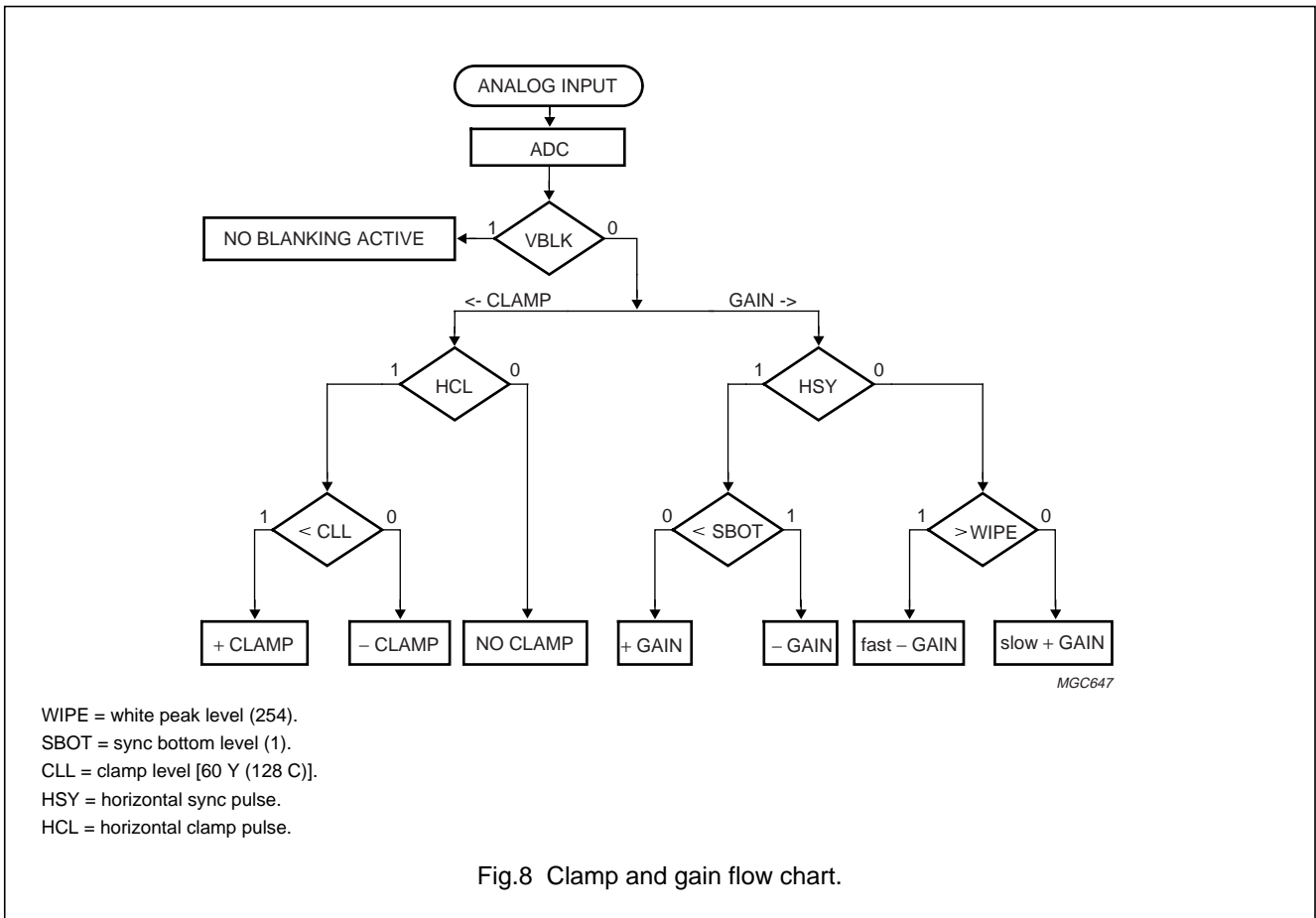
MHB531

Fig.7 Gain flow chart.



PAL/NTSC/SECAM video decoder with adaptive PAL/NTSC comb filter, VBI-data slicer and high performance scaler

SAA7114H



PAL/NTSC/SECAM video decoder with adaptive PAL/NTSC comb filter, VBI-data slicer and high performance scaler

SAA7114H

8.1.3 CHROMINANCE AND LUMINANCE PROCESSING

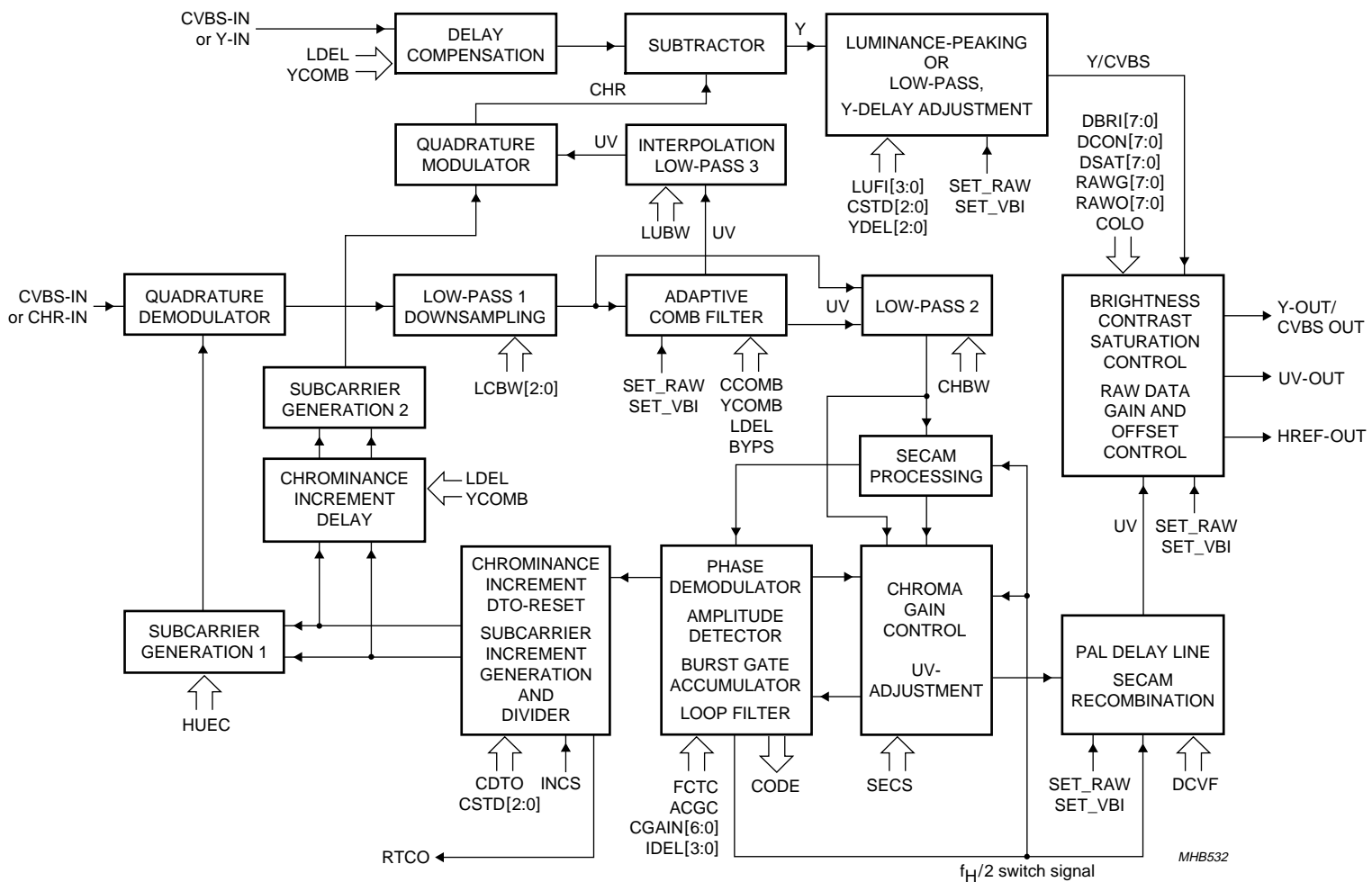


Fig.9 Chrominance and luminance processing.

## PAL/NTSC/SECAM video decoder with adaptive PAL/NTSC comb filter, VBI-data slicer and high performance scaler

SAA7114H

### 8.1.3.1 Chrominance path

The 9-bit CVBS or chrominance input signal is fed to the input of a quadrature demodulator, where it is multiplied by two time-multiplexed subcarrier signals from the subcarrier generation block 1 (0° and 90° phase relationship to the demodulator axis). The frequency is dependent on the chosen colour standard.

The time-multiplexed output signals of the multipliers are low-pass filtered (low-pass 1). Eight characteristics are programmable via LCWB3 to LCWB0 to achieve the desired bandwidth for the colour difference signals (PAL, NTSC) or the 0° and 90° FM signals (SECAM).

The chrominance low-pass 1 characteristic also influences the grade of cross-luminance reduction during horizontal colour transients (large chrominance bandwidth means strong suppression of cross-luminance). If the Y-comb filter is disabled by YCOMB = 0 the filter influences directly the width of the chrominance notch within the luminance path (large chrominance bandwidth means wide chrominance notch resulting to lower luminance bandwidth).

The low-pass filtered signals are fed to the adaptive comb filter block. The chrominance components are separated from the luminance via a two line vertical stage (four lines for PAL standards) and a decision logic between the filtered and the non-filtered output signals. This block is bypassed for SECAM signals. The comb filter logic can be enabled independently for the succeeding luminance and chrominance processing by YCOMB (subaddress 09H, bit 6) and/or CCOMB (subaddress 0EH, bit 0). It is always bypassed during VBI or raw data lines programmable by the LCRn registers (subaddresses 41H to 57H), see Section 8.2.

The separated UV-components are further processed by a second filter stage (low-pass 2) to modify the chrominance bandwidth without influence to the luminance path. It's characteristic is controlled by CHBW (subaddress 10H, bit 3). For the complete transfer characteristic of low-passes 1 and 2 see Figs 10 and 11.

The SECAM processing (bypassed for QUAM standards) contains the following blocks:

- Baseband 'bell' filters to reconstruct the amplitude and phase equalized 0° and 90° FM signals
- Phase demodulator and differentiator (FM-demodulation)
- De-emphasis filter to compensate the pre-emphasized input signal, including frequency offset compensation (DB or DR white carrier values are subtracted from the signal, controlled by the SECAM switch signal).

The succeeding chrominance gain control block amplifies or attenuates the UV-signal according to the required ITU 601/656 levels. It is controlled by the output signal from the amplitude detection circuit within the burst processing block.

The burst processing block provides the feedback loop of the chrominance PLL and contains:

- Burst gate accumulator
- Colour identification and killer
- Comparison nominal/actual burst amplitude (PAL/NTSC standards only)
- Loop filter chrominance gain control (PAL/NTSC standards only)
- Loop filter chrominance PLL (only active for PAL/NTSC standards)
- PAL/SECAM sequence detection, H/2-switch generation.

The increment generation circuit produces the Discrete Time Oscillator (DTO) increment for both subcarrier generation blocks. It contains a division by the increment of the line-locked clock generator to create a stable phase-locked sine signal under all conditions (e.g. for non-standard signals).

The PAL delay line block eliminates crosstalk between the chrominance channels in accordance with the PAL standard requirements. For NTSC colour standards the delay line can be used as an additional vertical filter. If desired, it can be switched off by DCVF = 1. It is always disabled during VBI or raw data lines programmable by the LCRn registers (subaddresses 41H to 47H), see Section 8.2. The embedded line delay is also used for SECAM recombination (cross-over switches).

PAL/NTSC/SECAM video decoder with adaptive PAL/NTSC comb filter, VBI-data slicer and high performance scaler

SAA7114H

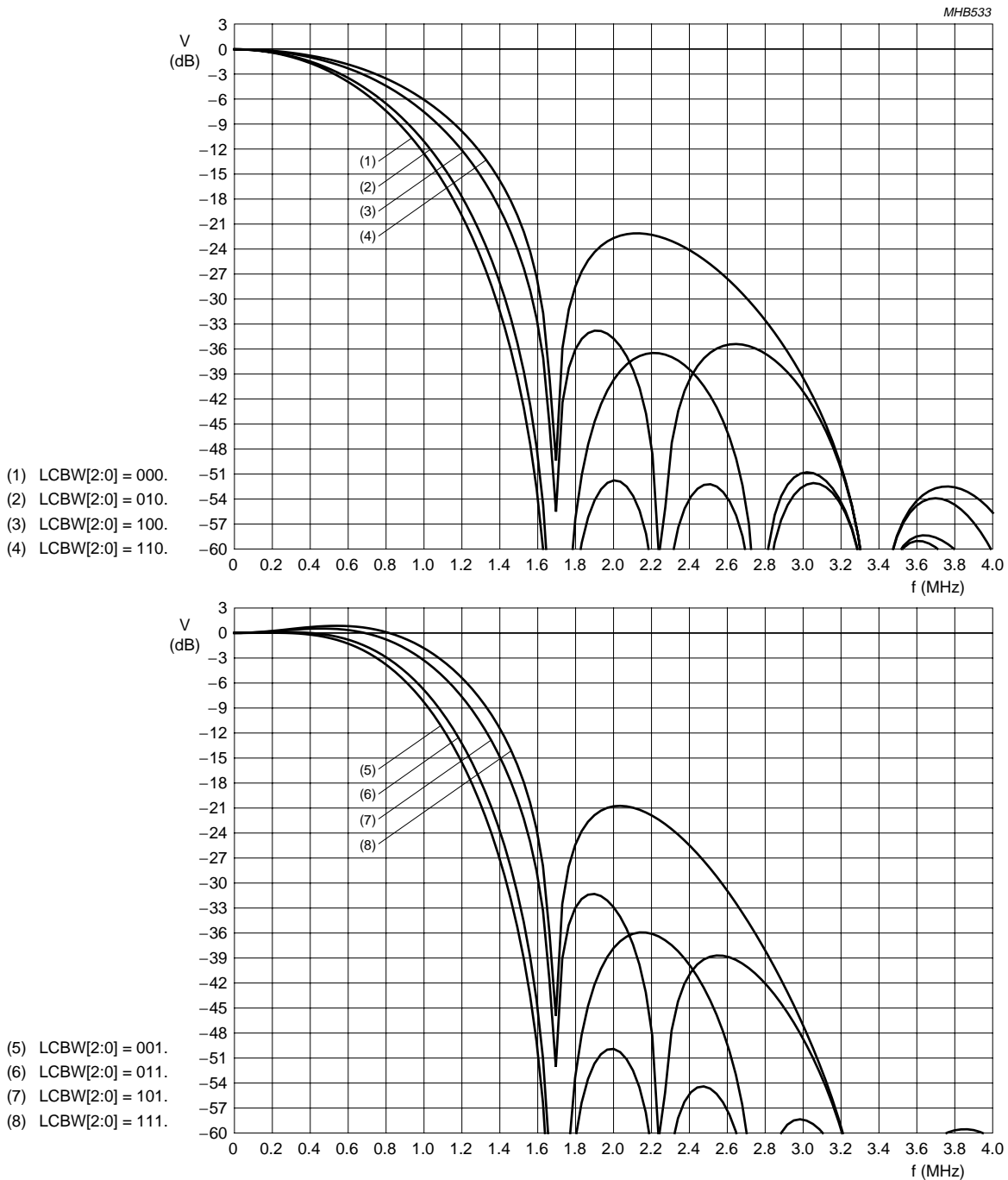


Fig.10 Transfer characteristics of the chrominance low-pass at CHBW = 0.

PAL/NTSC/SECAM video decoder with adaptive PAL/NTSC comb filter, VBI-data slicer and high performance scaler

SAA7114H

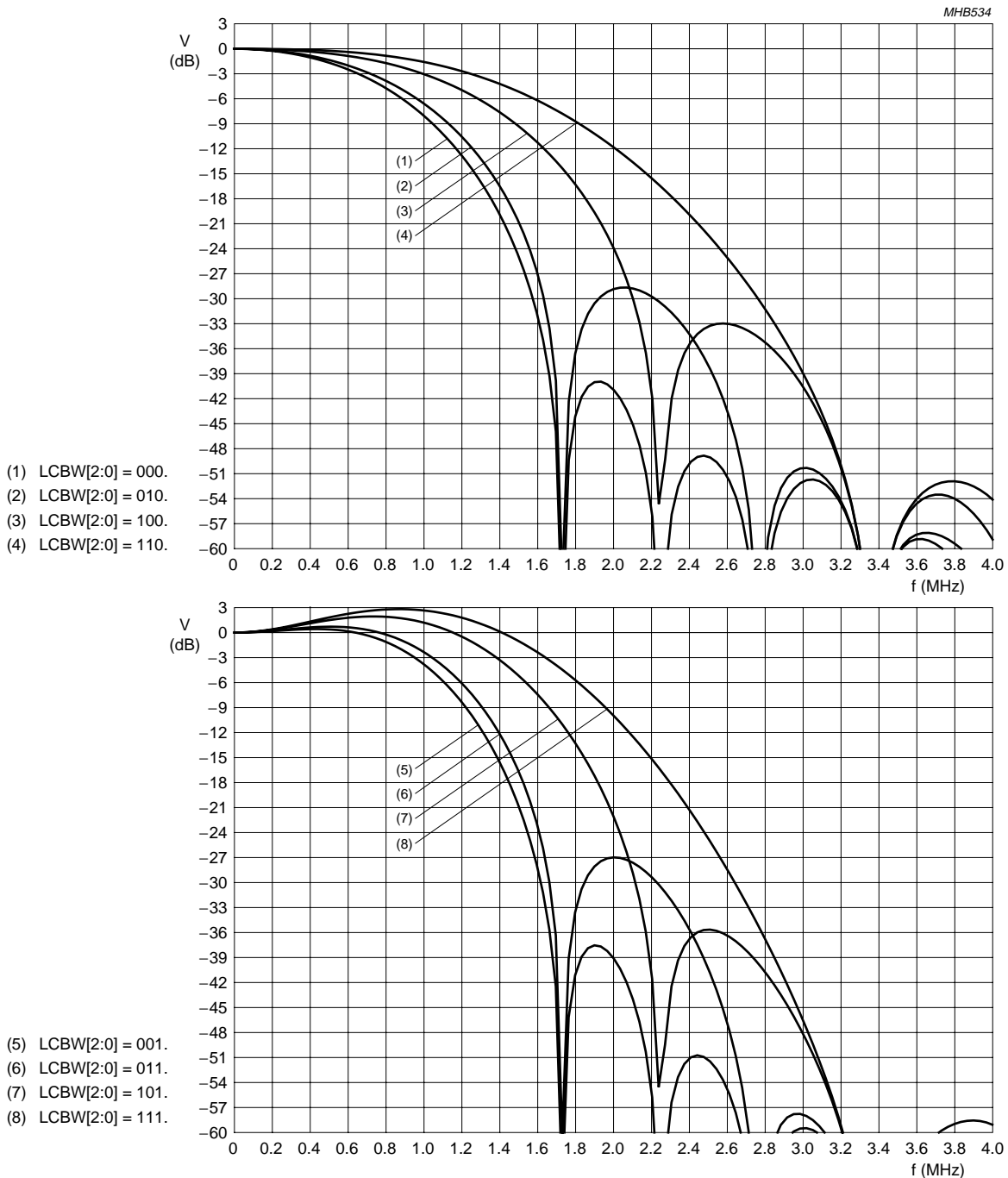


Fig.11 Transfer characteristics of the chrominance low-pass at CHBW = 1.

---

**PAL/NTSC/SECAM video decoder with adaptive PAL/NTSC comb filter, VBI-data slicer and high performance scaler**

---

**SAA7114H****8.1.3.2 Luminance path**

The rejection of the chrominance components within the 9-bit CVBS or Y input signal is done by subtracting the re-modulated chrominance signal from the CVBS input.

The comb filtered UV-components are interpolated (upsampled) by the low-pass 3 block. It's characteristic is controlled by LUBW (subaddress 09H, bit 4) to modify the width of the chrominance 'notch' without influence to the chrominance path. The programmable frequency characteristics available in conjunction with the LCBW2 to LCBW0 settings can be seen in Figs 12 to 15. Note that these frequency curves are only valid for Y-comb disabled filter mode (YCOMB = 0). in comb filter mode the frequency response is flat. The centre frequency of the notch is automatically adapted to the chosen colour standard.

The interpolated UV-samples are multiplied by two time-multiplexed subcarrier signals from the subcarrier generation block 2. This second DTO is locked to the first subcarrier generator by an increment delay circuit matched to the processing delay, which is different for PAL and NTSC standards according to the chosen comb filter algorithm. The two modulated signals are finally added to build the re-modulated chrominance signal.

The frequency characteristic of the separated luminance signal can be further modified by the succeeding luminance filter block. It can be configured as peaking (resolution enhancement) or low-pass block by LUF13 to LUF10 (subaddress 09H, bits 3 to 0). The 16 resulting frequency characteristics can be seen in Fig.16. The LUF13 to LUF10 settings can be used as a user programmable sharpness control.

The luminance filter block also contains the adjustable Y-delay part; programmable by YDEL2 to YDEL0 (subaddress 11H, bits 2 to 0).

PAL/NTSC/SECAM video decoder with adaptive PAL/NTSC comb filter, VBI-data slicer and high performance scaler

SAA7114H

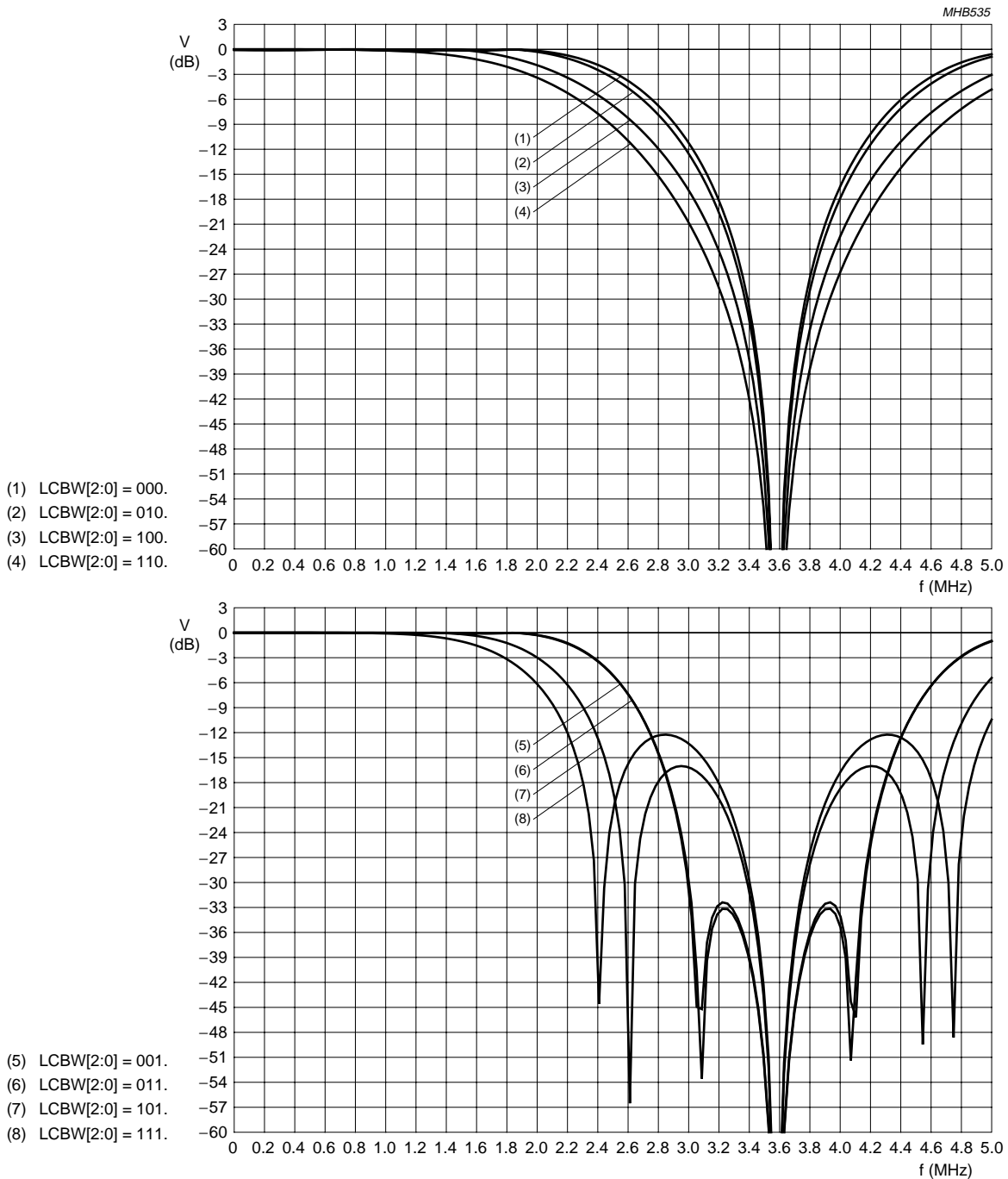


Fig.12 Transfer characteristics of the luminance notch filter in 3.58 MHz mode (Y-comb filter disabled) at LUBW = 0.

PAL/NTSC/SECAM video decoder with adaptive PAL/NTSC comb filter, VBI-data slicer and high performance scaler

SAA7114H

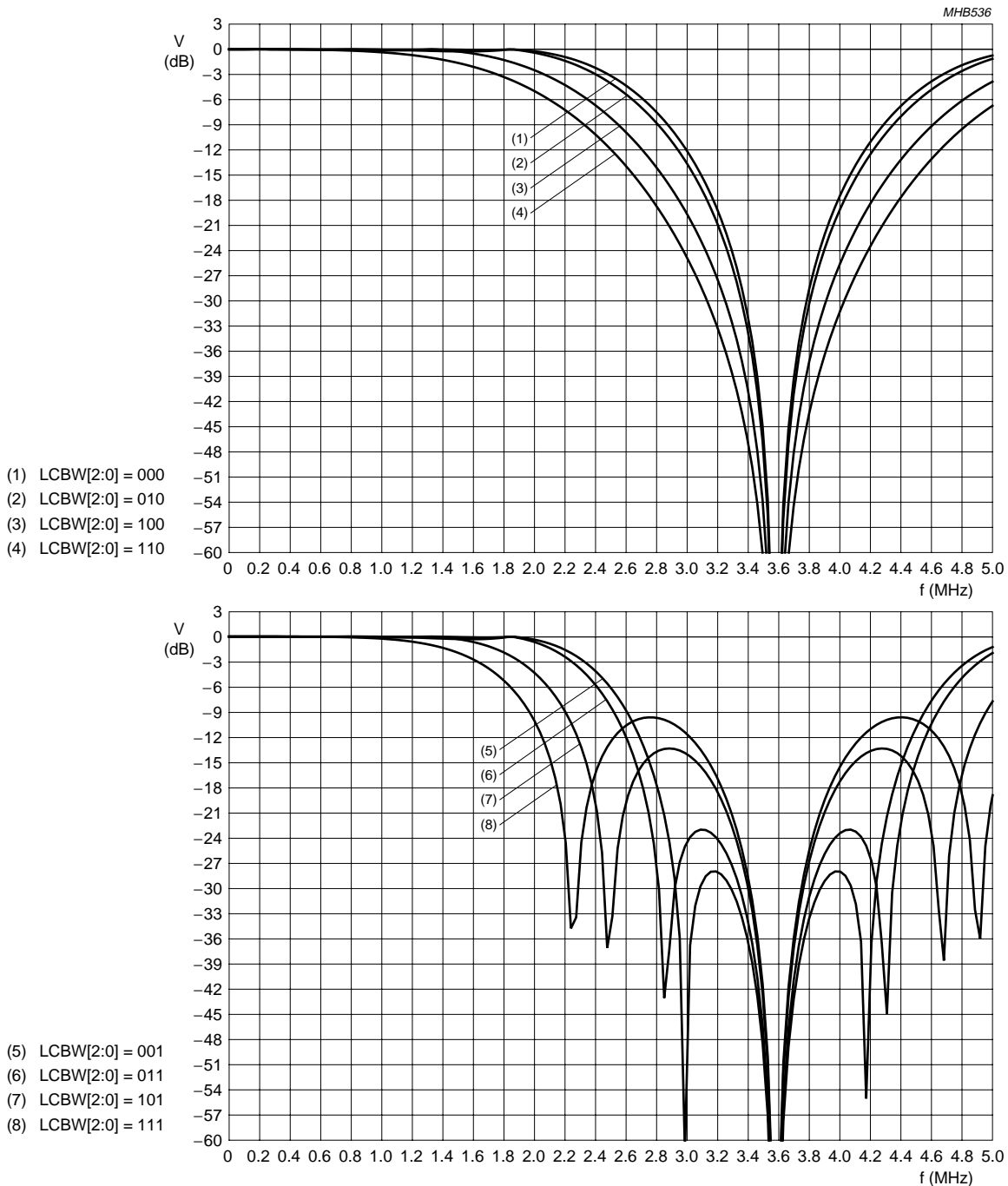


Fig.13 Transfer characteristics of the luminance notch filter in 3.58 MHz mode (Y-comb filter disabled) at LUBW = 1.



PAL/NTSC/SECAM video decoder with adaptive PAL/NTSC comb filter, VBI-data slicer and high performance scaler

SAA7114H

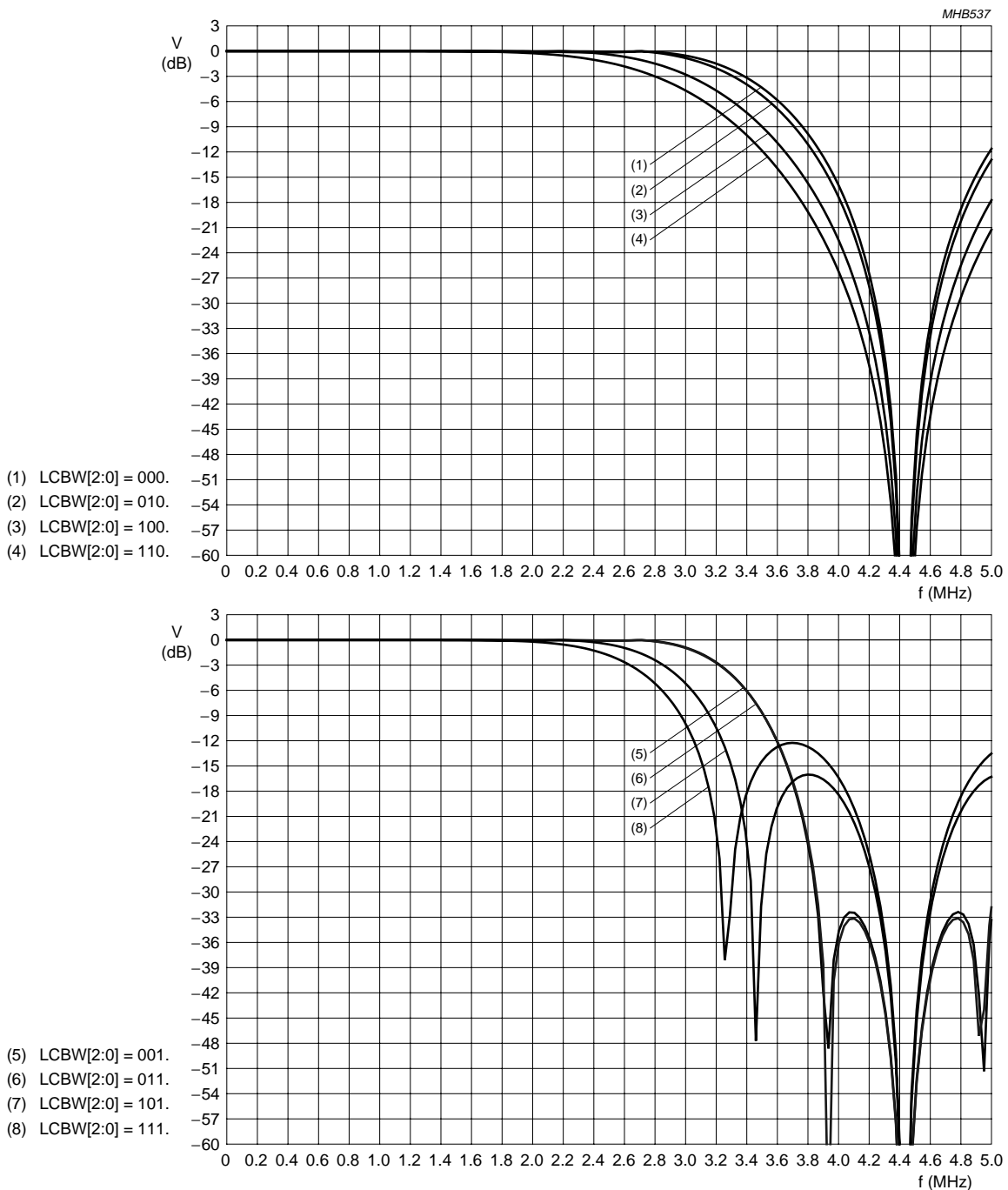


Fig.14 Transfer characteristics of the luminance notch filter in 4.43 MHz mode (Y-comb filter disabled) at LUBW = 0.

PAL/NTSC/SECAM video decoder with adaptive PAL/NTSC comb filter, VBI-data slicer and high performance scaler

SAA7114H

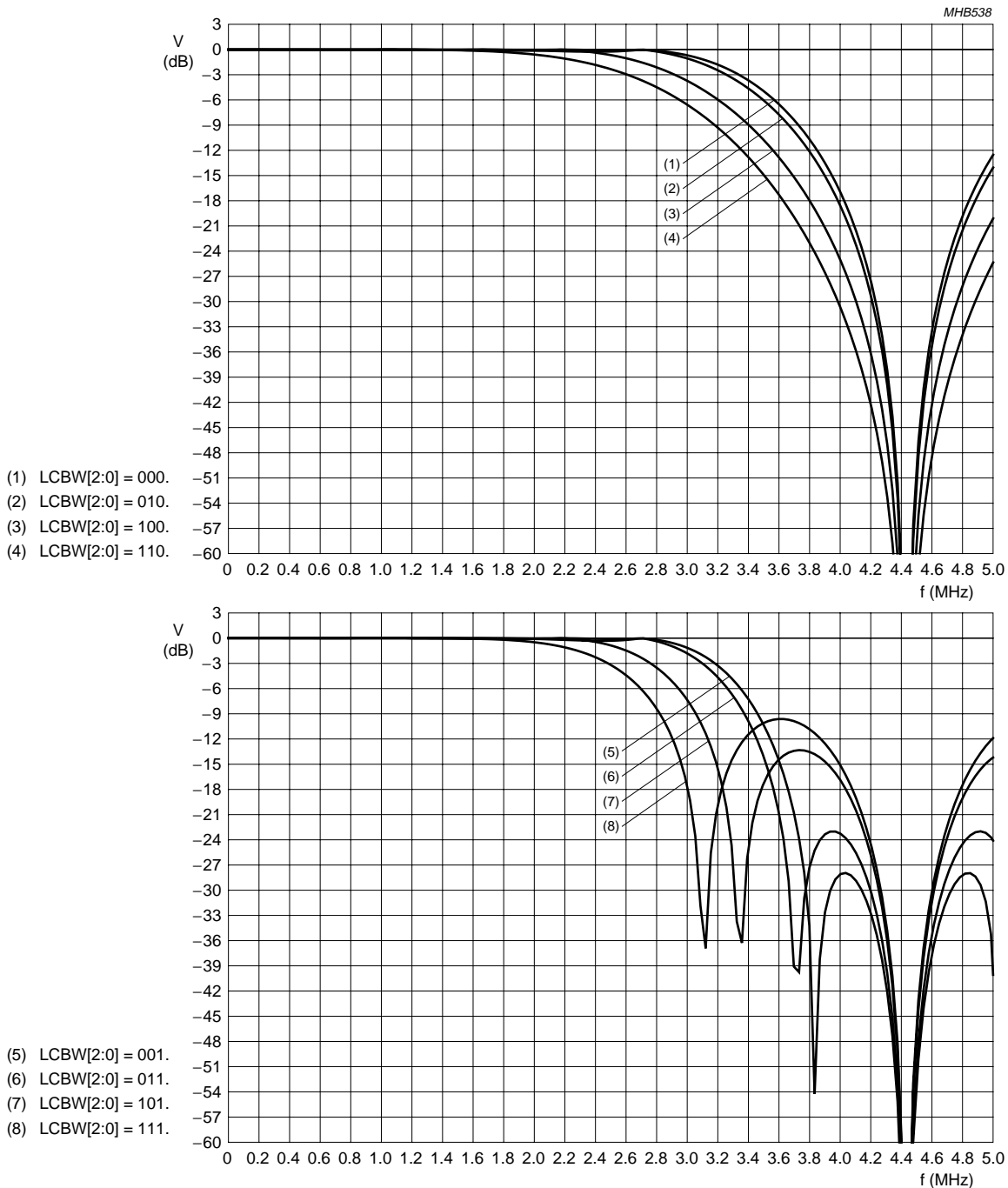


Fig.15 Transfer characteristics of the luminance notch filter in 4.43 MHz mode (Y-comb filter disabled) at LUBW = 1.

PAL/NTSC/SECAM video decoder with adaptive PAL/NTSC comb filter, VBI-data slicer and high performance scaler

SAA7114H

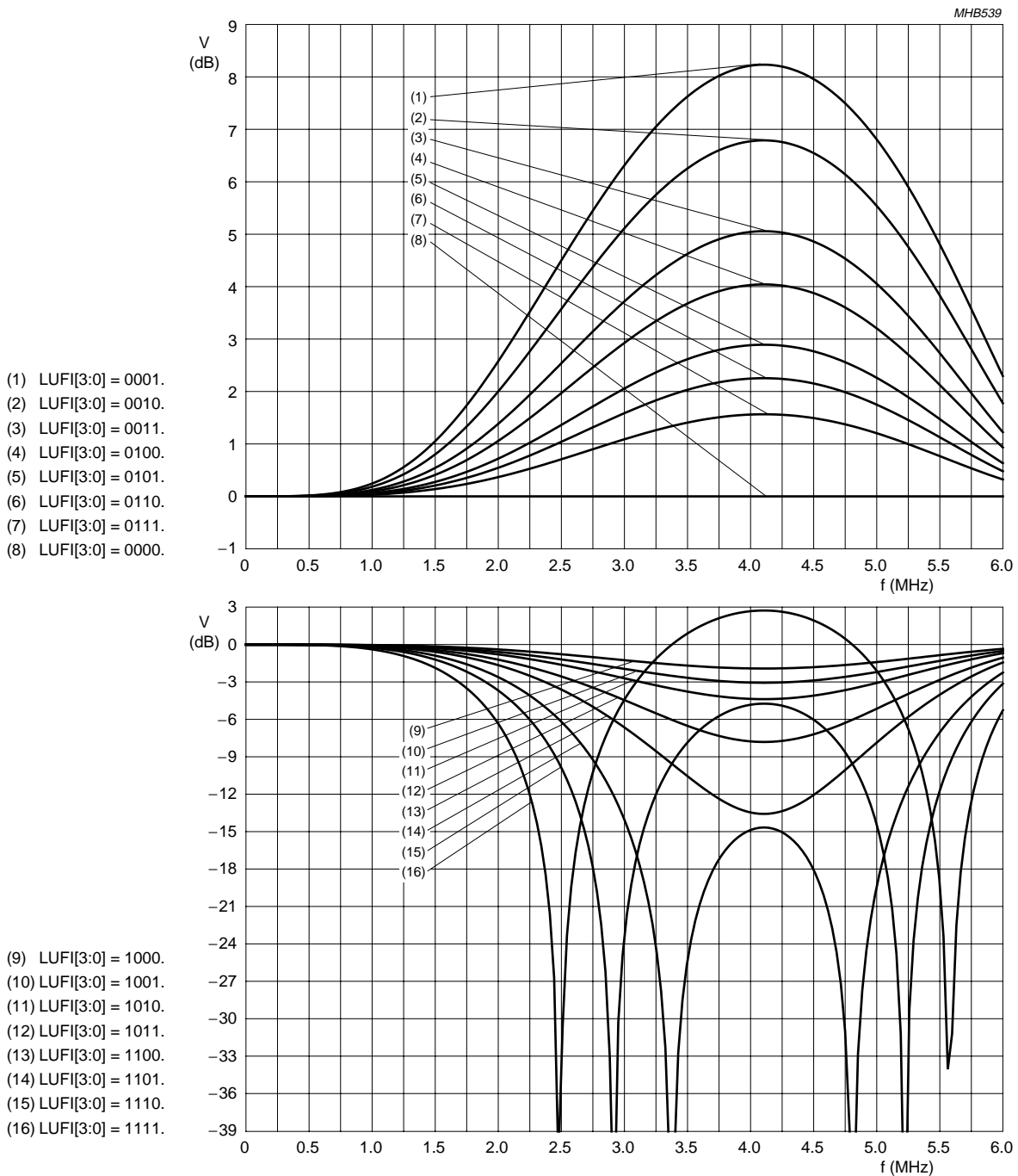


Fig.16 Transfer characteristics of the luminance peaking/low-pass filter (sharpness).

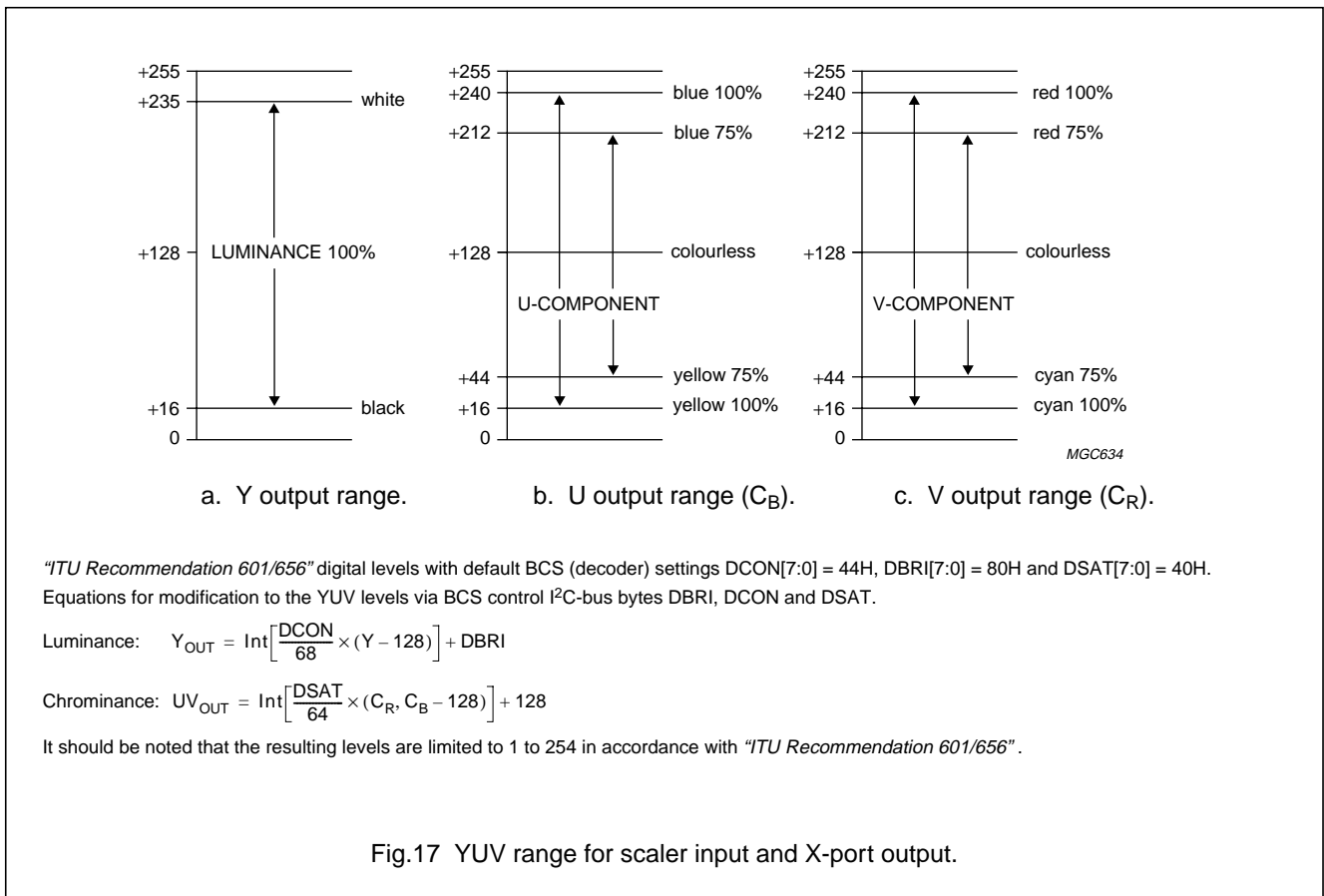
PAL/NTSC/SECAM video decoder with adaptive PAL/NTSC comb filter, VBI-data slicer and high performance scaler

SAA7114H

8.1.3.3 Brightness Contrast Saturation (BCS) control and decoder output levels

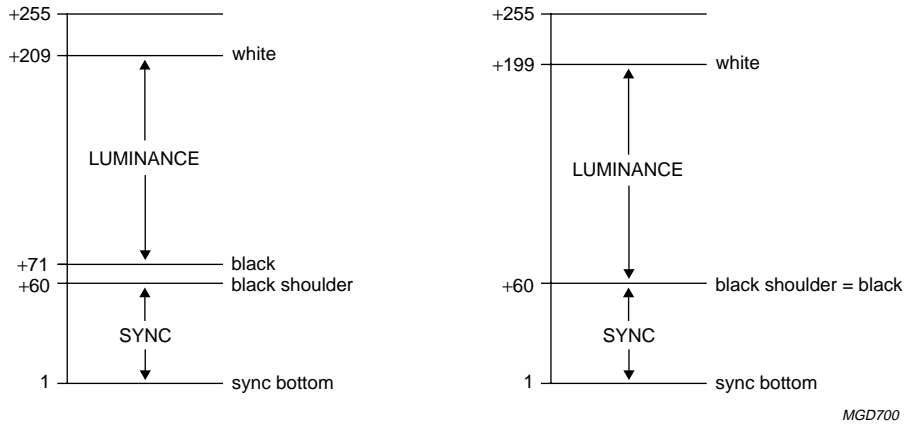
The resulting Y (CVBS) and UV-signals are fed to the BCS block, which contains the following functions:

- Chrominance saturation control by DSAT7 to DSAT0
- Luminance contrast and brightness control by DCON7 to DCON0 and DBRI7 to DBRI0
- Raw data (CVBS) gain and offset adjustment by RAWG7 to RAWG0 and RAWO7 to RAWO0
- Limiting YUV or CVBS to the values 1 (minimum) and 254 (maximum) to fulfil "ITU Recommendation 601/656".



PAL/NTSC/SECAM video decoder with adaptive PAL/NTSC comb filter, VBI-data slicer and high performance scaler

SAA7114H



- a. Sources containing 7.5 IRE black level offset (e.g. NTSC M).
- b. Sources not containing black level offset.

CVBS levels with default settings RAWG[7:0] = 64 and RAWO[7:0] = 128.  
 Equation for modification of the raw data levels via bytes RAWG and RAWO:

$$CVBS_{OUT} = \text{Int} \left[ \frac{RAWG}{64} \times (CVBS_{nom} - 128) \right] + RAWO$$

It should be noted that the resulting levels are limited to 1 to 254 in accordance with "ITU Recommendation 601/656".

Fig.18 CVBS (raw data) range for scaler input, data slicer and X-port output.

**PAL/NTSC/SECAM video decoder with adaptive PAL/NTSC comb filter, VBI-data slicer and high performance scaler**

**SAA7114H**

**8.1.4 SYNCHRONIZATION**

The prefiltered luminance signal is fed to the synchronization stage. Its bandwidth is further reduced to 1 MHz in a low-pass filter. The sync pulses are sliced and fed to the phase detectors where they are compared with the sub-divided clock frequency. The resulting output signal is applied to the loop filter to accumulate all phase deviations. Internal signals (e.g. HCL and HSY) are generated in accordance with analog front-end requirements. The loop filter signal drives an oscillator to generate the line frequency control signal LFCO, see Fig.19.

The detection of 'pseudo syncs' as part of the macrovision copy protection standard is also done within the synchronization circuit.

The result is reported as flag COPRO within the decoder status byte at subaddress 1FH.

**8.1.5 CLOCK GENERATION CIRCUIT**

The internal CGC generates all clock signals required for the video input processor.

The internal signal LFCO is a digital-to-analog converted signal provided by the horizontal PLL. It is the multiple of the line frequency:

$$6.75 \text{ MHz} = 429 \times f_H \text{ (50 Hz), or}$$

$$6.75 \text{ MHz} = 432 \times f_H \text{ (60 Hz).}$$

Internally the LFCO signal is multiplied by a factor of 2 and 4 in the PLL circuit (including phase detector, loop filtering, VCO and frequency divider) to obtain the output clock signals. The rectangular output clocks have a 50% duty factor.

**Table 2** Decoder clock frequencies

CLOCK	FREQUENCY (MHz)
XTALO	24.576 or 32.110
LLC	27
LLC2	13.5
LLC4 (internal)	6.75
LLC8 (virtual)	3.375

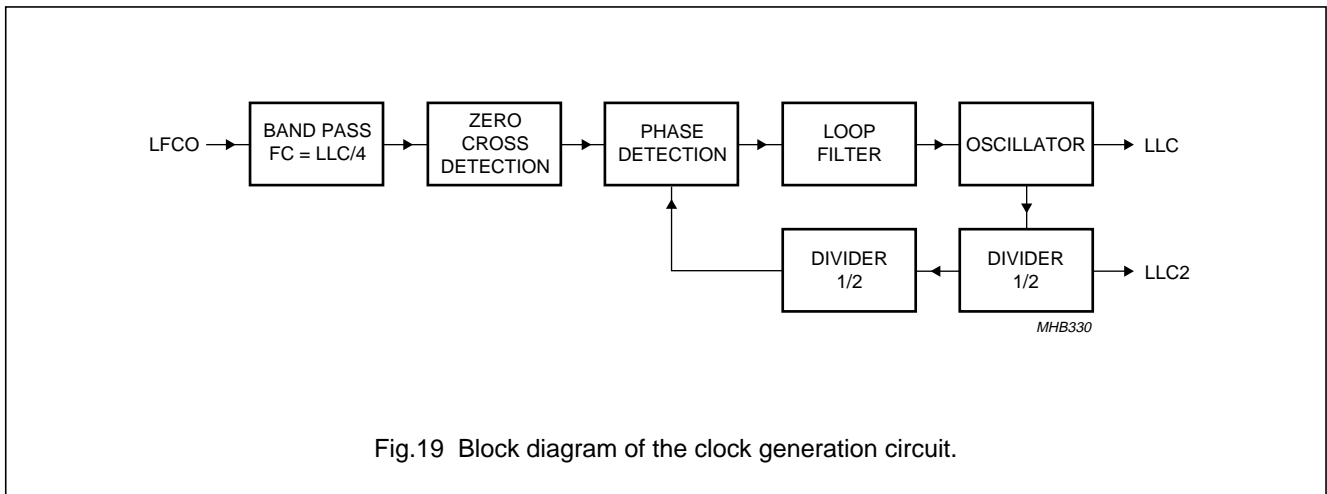


Fig.19 Block diagram of the clock generation circuit.

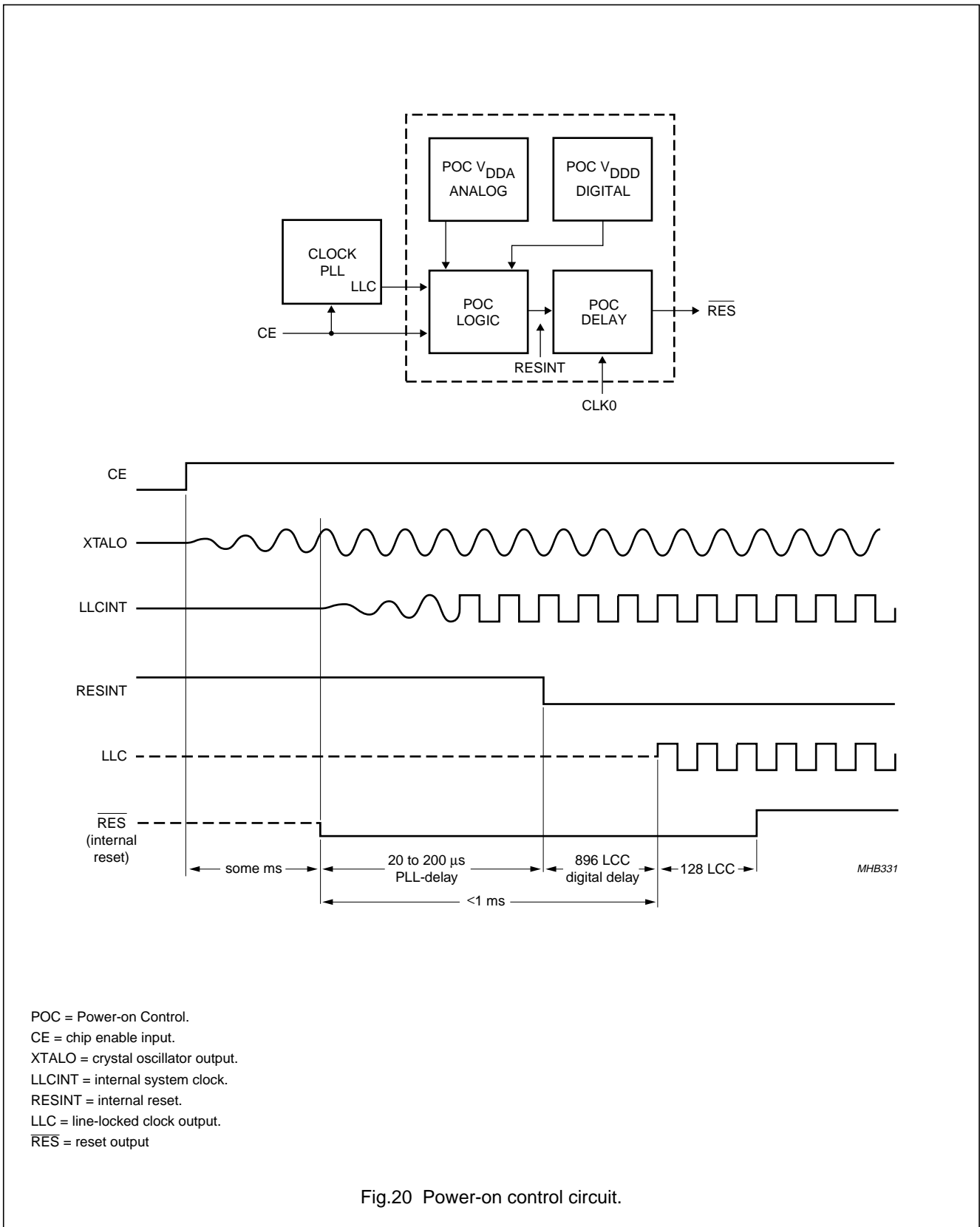
**8.1.6 POWER-ON RESET AND CHIP ENABLE (CE) INPUT**

A missing clock, insufficient digital or analog V<sub>DDA0</sub> supply voltages (below 2.7 V) will start the reset sequence; all outputs are forced to 3-state (see Fig.20). The indicator output  $\overline{RES}$  is LOW for about 128 LLC after the internal reset and can be applied to reset other circuits of the digital TV system.

It is possible to force a reset by pulling the Chip Enable (CE) to ground. After the rising edge of CE and sufficient power supply voltage, the outputs LLC, LLC2 and SDA return from 3-state to active, while the other signals have to be activated via programming.

PAL/NTSC/SECAM video decoder with adaptive PAL/NTSC comb filter, VBI-data slicer and high performance scaler

SAA7114H



# PAL/NTSC/SECAM video decoder with adaptive PAL/NTSC comb filter, VBI-data slicer and high performance scaler

SAA7114H

## 8.2 Decoder output formatter

The output interface block of the decoder part contains the ITU 656 formatter for the expansion port data output XPD7 to XPD0 (for a detailed description see Section 9.4.1) and the control circuit for the signals needed for the internal paths to the scaler and data slicer part. It also controls the selection of the reference signals for the RT port (RTCO, RTS0 and RTS1) and the expansion port (XRH, XRV and XDQ).

The generation of the decoder data type control signals SET\_RAW and SET\_VBI is also done within this block. These signals are decoded from the requested data type for the scaler input and/or the data slicer, selectable by the control registers LCR2 to LCR24 (see also Chapter 15 "I<sup>2</sup>C-bus description", subaddresses 41H to 57H).

For each LCR value from 2 to 23 the data type can be programmed individually. LCR2 to LCR23 refer to line numbers. The selection in LCR24 values is valid for the rest of the corresponding field. The upper nibble contains the value for field 1 (odd), the lower nibble for field 2 (even). The relationship between LCR values and line numbers can be adjusted via VOFF8 to VOFF0, located in subaddresses 5BH (bit 4) and 5AH (bits 7 to 0) and FOFF subaddress 5BH (bit D7). The recommended values are VOFF[8:0] = 03H for 50 Hz sources (with FOFF = 0) and VOFF[8:0] = 06H for 60 Hz sources (with FOFF = 1), to accommodate line number conventions as used for PAL, SECAM and NTSC standards; see Tables 4 to 7.

**Table 3** Data formats at decoder output

DATA TYPE NUMBER	DATA TYPE	DECODER OUTPUT DATA FORMAT
0	teletext EuroWST, CCST	raw
1	European closed caption	raw
2	Video Programming Service (VPS)	raw
3	Wide screen signalling bits	raw
4	US teletext (WST)	raw
5	US closed caption (line 21)	raw
6	video component signal, VBI region	YUV 4 : 2 : 2
7	CVBS data	raw
8	teletext	raw
9	VITC/EBU time codes (Europe)	raw
10	VITC/SMPTE time codes (USA)	raw
11	reserved	raw
12	US NABTS	raw
13	MOJI (Japanese)	raw
14	Japanese format switch (L20/22)	raw
15	video component signal, active video region	YUV 4 : 2 : 2



PAL/NTSC/SECAM video decoder with adaptive PAL/NTSC  
comb filter, VBI-data slicer and high performance scaler

SAA7114H

**Table 4** Relationship of LCR to line numbers in 525 lines/60 Hz systems (part 1)

Vertical line offset, VOFF[8:0] = 06H (subaddresses 5BH[4] and 5AH[7:0]); horizontal pixel offset, HOFF[10:0] = 347H (subaddresses 5BH[2:0] and 59H[7:0]); FOFF = 1 (subaddress 5BH[7])

<b>Line number (1st field)</b>	521	522	523	524	525	1	2	3	4	5	6	7	8	9	
	active video					equalization pulses			serration pulses			equalization pulses			
<b>Line number (2nd field)</b>	259	260	261	262	263	264	265	266	267	268	269	270	271	272	
	active video					equalization pulses			serration pulses			equalization pulses			
<b>LCR</b>	24					2		3	4	5	6	7	8	9	

**Table 5** Relationship of LCR to line numbers in 525 lines/60 Hz systems (part 2)

Vertical line offset, VOFF[8:0] = 06H (subaddresses 5BH[4] and 5AH[7:0]); horizontal pixel offset, HOFF[10:0] = 347H (subaddresses 5BH[2:0] and 59H[7:0]); FOFF = 1 (subaddress 5BH[7])

<b>Line number (1st field)</b>	10	11	12	13	14	15	16	17	18	19	20	21	22	23	24	25
	nominal VBI-lines F1												active video			
<b>Line number (2nd field)</b>	273	274	275	276	277	278	279	280	281	282	283	284	285	286	287	288
	nominal VBI-lines F2												active video			
<b>LCR</b>	10	11	12	13	14	15	16	17	18	19	20	21	22	23	24	

**Table 6** Relationship of LCR to line numbers in 625 lines/50 Hz systems (part 1)

Vertical line offset, VOFF[8:0] = 03H (subaddresses 5BH[4] and 5AH[7:0]); horizontal pixel offset, HOFF[10:0] = 347H (subaddresses 5BH[2:0] and 59H[7:0]); FOFF = 1 (subaddress 5BH[7])

<b>Line number (1st field)</b>	621	622	623	624	625	1	2	3	4	5		
	active video			equalization pulses		serration pulses			equalization pulses			
<b>Line number (2nd field)</b>	309	310	311	312	313	314	315	316	317	318		
	active video		equalization pulses			serration pulses			equalization pulses			
<b>LCR</b>	24					2		3	4	5		

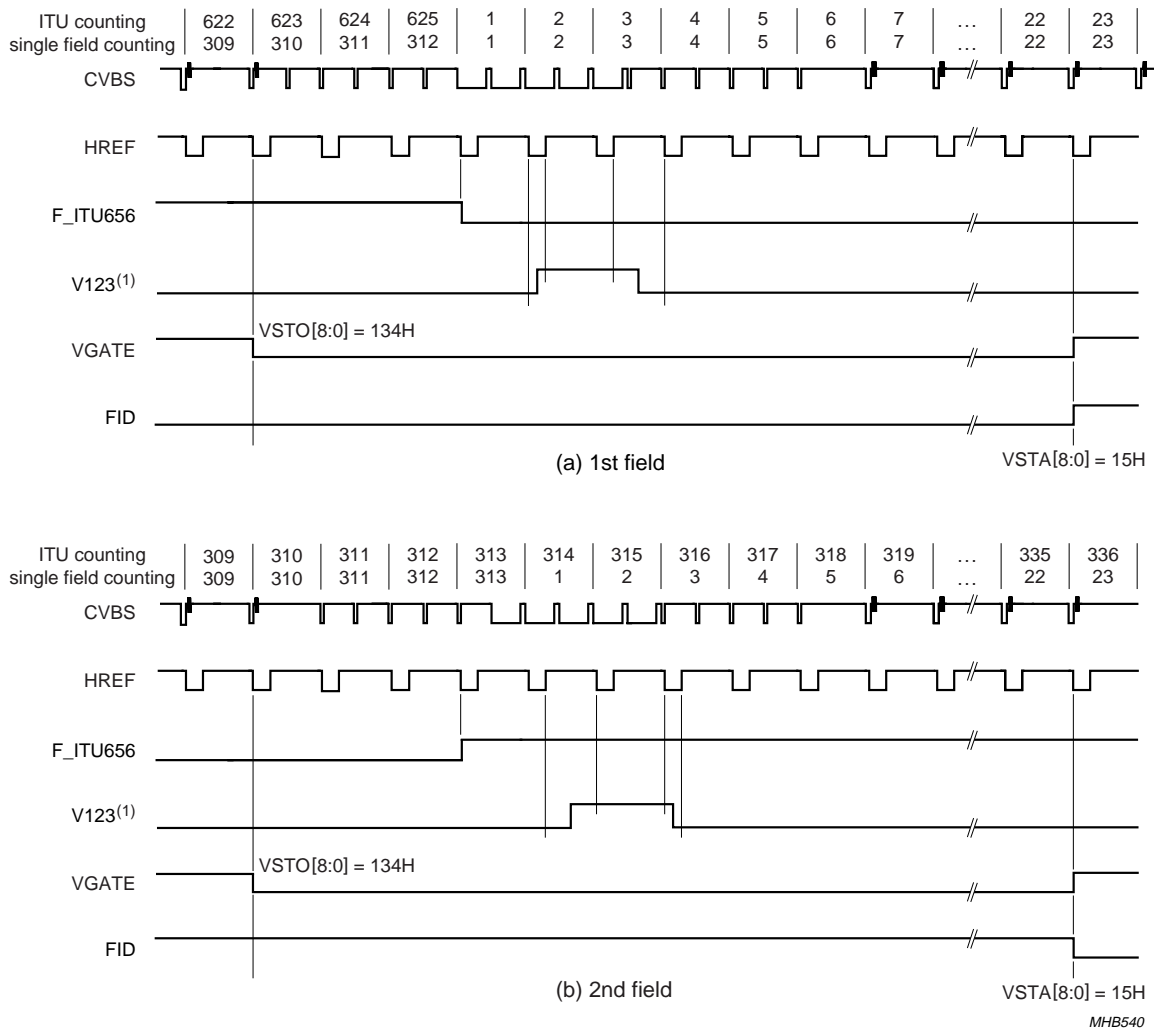
**Table 7** Relationship of LCR to line numbers in 625 lines/50 Hz systems (part 2)

Vertical line offset, VOFF[8:0] = 03H (subaddresses 5BH[4] and 5AH[7:0]); horizontal pixel offset, HOFF[10:0] = 347H (subaddresses 5BH[2:0] and 59H[7:0]); FOFF = 1 (subaddress 5BH[7])

<b>Line number (1st field)</b>	6	7	8	9	10	11	12	13	14	15	16	17	18	19	20	21	22	23	24	25
	nominal VBI-lines F1																		active video	
<b>Line number (2nd field)</b>	319	320	321	322	323	324	325	326	327	328	329	330	331	332	333	334	335	336	337	338
	nominal VBI-lines F2																		active video	
<b>LCR</b>	6	7	8	9	10	11	12	13	14	15	16	17	18	19	20	21	22	23	24	

PAL/NTSC/SECAM video decoder with adaptive PAL/NTSC comb filter, VBI-data slicer and high performance scaler

SAA7114H



(1) The inactive going edge of the V123 signal indicates whether the field is odd or even. If HREF is active during the falling edge of V123, the field is ODD (field 1). If HREF is inactive during the falling edge of V123, the field is EVEN. The specific position of the slope is dependent on the internal processing delay and may change a few clock cycles from version to version.

The control signals listed above are available on pins RTS0, RTS1, XRH and XRV according to the following table:

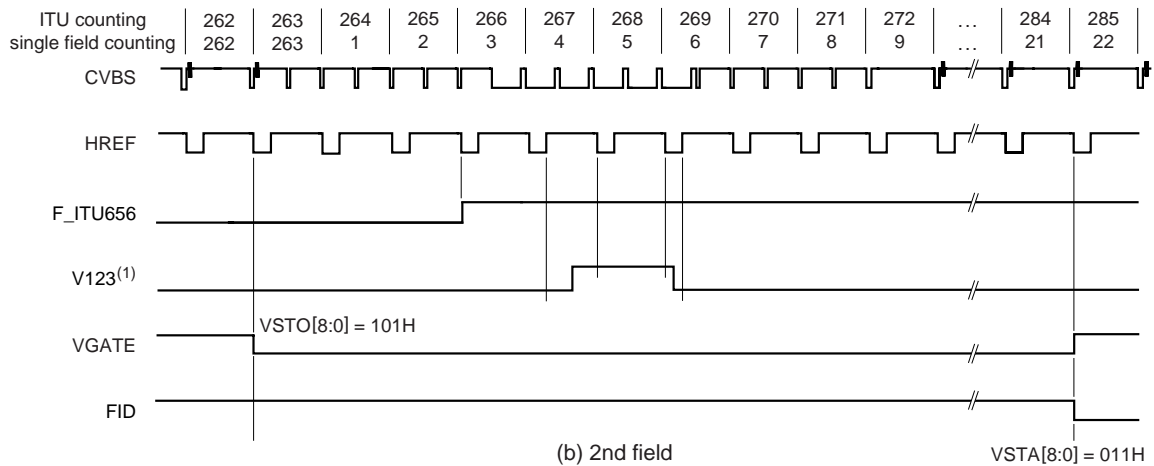
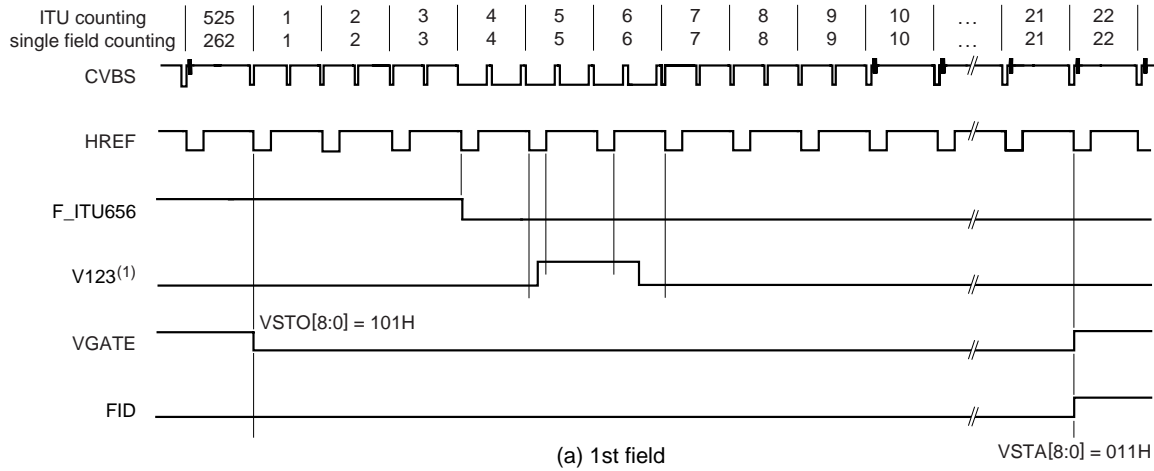
NAME	RTS0 (PIN 34)	RTS1 (PIN 35)	XRH (PIN 92)	XRV (PIN 91)
HREF	X	X	X	
F_ITU656	—	—	—	X
V123	X	X	—	X
VGATE	X	X	—	
FID	X	X	—	—

For further information see Section 15.2: Tables 55, 56 and 57.

Fig.21 Vertical timing diagram for 50 Hz/625 line systems.

PAL/NTSC/SECAM video decoder with adaptive PAL/NTSC comb filter, VBI-data slicer and high performance scaler

SAA7114H



MHB541

(1) The inactive going edge of the V123 signal indicates whether the field is odd or even. If HREF is active during the falling edge of V123, the field is ODD (field 1). If HREF is inactive during the falling edge of V123, the field is EVEN. The specific position of the slope is dependent on the internal processing delay and may change a few clock cycles from version to version.

The control signals listed above are available on pins RTS0, RTS1, XRH and XRV according to the following table:

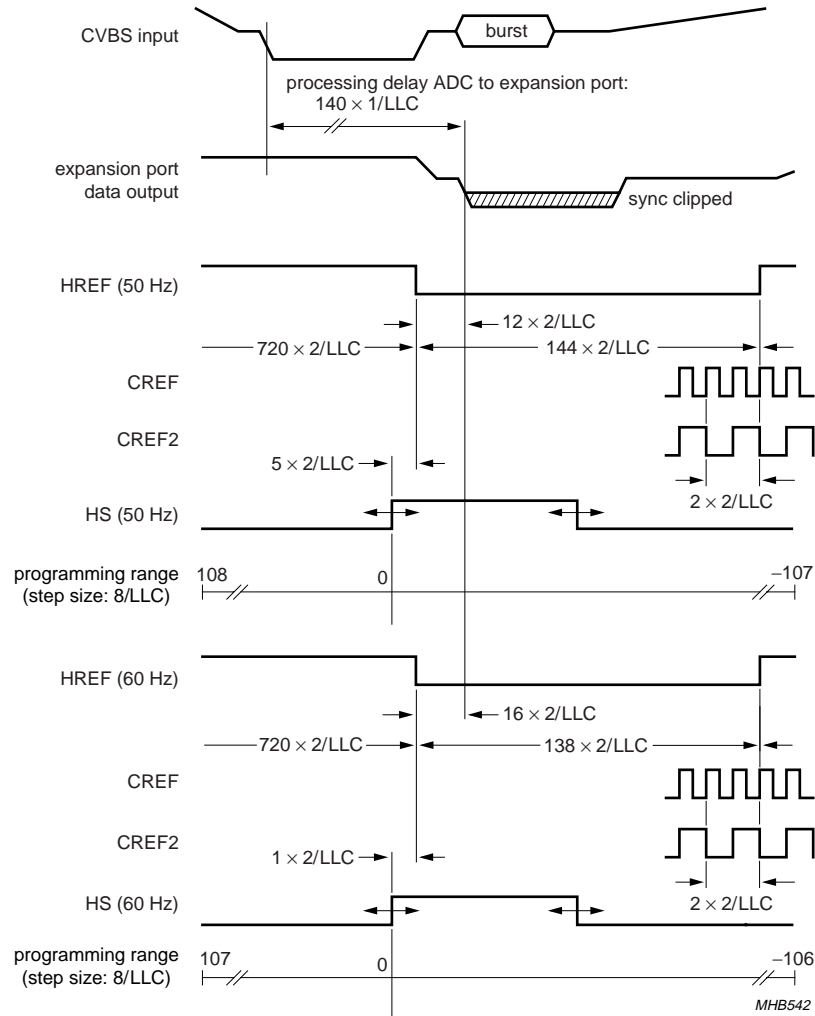
NAME	RTS0 (PIN 34)	RTS1 (PIN 35)	XRH (PIN 92)	XRV (PIN 91)
HREF	X	X	X	—
F_ITU656	—	—	—	X
V123	X	X	—	X
VGATE	X	X	—	—
FID	X	X	—	—

For further information see Section 15.2: Tables 55, 56 and 57.

Fig.22 Vertical timing diagram for 60 Hz/525 line systems.

PAL/NTSC/SECAM video decoder with adaptive PAL/NTSC comb filter, VBI-data slicer and high performance scaler

SAA7114H



The signals HREF, HS, CREF2 and CREF are available on pins RTS0 and/or RTS1 (see Section 15.2.19 Tables 55 and 56); their polarity can be inverted via RTP0 and/or RTP1.  
 The signals HREF and HS are available on pin XRH (see Section 15.2.20 Table 57).

Fig.23 Horizontal timing diagram (50/60 Hz).

## PAL/NTSC/SECAM video decoder with adaptive PAL/NTSC comb filter, VBI-data slicer and high performance scaler

SAA7114H

### 8.3 Scaler

The High Performance video Scaler (HPS) is based on the system as implemented in SAA7140, but enhanced in some aspects. Vertical upsampling is supported and the processing pipeline buffer capacity is enhanced, to allow more flexible video stream timing at the image port, discontinuous transfers, and handshake. The internal data flow from block to block is discontinuous dynamically, due to the scaling process itself.

The flow is controlled by internal data valid and data request flags (internal handshake signalling) between the sub-blocks. Therefore the entire scaler acts as a pipeline buffer. Depending on the actually programmed scaling parameters the effective buffer can exceed to an entire line. The access/bandwidth requirements to the VGA frame buffer are reduced significantly.

The high performance video scaler in SAA7114H has the following major blocks.

- Acquisition control (horizontal and vertical timer) and task handling (the region/field/frame based processing)
- Prescaler, for horizontal down-scaling by an integer factor, combined with appropriate band limiting filters, especially anti-aliasing for CIF format
- Brightness, saturation, contrast control for scaled output data
- Line buffer, with asynchronous read and write, to support vertical up-scaling (e.g. for videophone application, converting 240 into 288 lines, YUV 4 : 2 : 2)
- Vertical scaling, with phase accurate Linear Phase Interpolation (LPI) for zoom and down-scale, or phase accurate Accumulation Mode (ACM) for large down-scaling ratios and better alias suppression
- Variable Phase Delay (VPD), operates as horizontal phase accurate interpolation for arbitrary non-integer scaling ratios, supporting conversion between square (SQR) and rectangular (CCIR) pixel sampling
- Output formatter for scaled YUV 4 : 2 : 2, YUV 4 : 1 : 1 and Y only (format also for raw data)
- FIFO, 32-bit wide, with 64 pixel capacity in YUV formats
- Output interface, 8 or 16 (only if extended by H-port) data pins wide, synchronous or asynchronous operation, with stream events on discrete pins, or coded in the data stream.

The overall H and V zooming (HV\_zoom) is restricted by the input/output data rate relations. With a safety margin of 2% for running in and running out, the maximum HV\_zoom is equal to:

$$0.98 \times \frac{T_{\text{input\_field}} - T_{\text{v\_blanking}}}{\text{in\_pixel} \times \text{in\_lines} \times \text{out\_cycle\_per\_pix} \times T_{\text{out\_clk}}}$$

For example:

1. Input from decoder: 50 Hz, 720 pixel, 288 lines, 16-bit data at 13.5 MHz data rate, 1 cycle per pixel; output: 8-bit data at 27 MHz, 2 cycles per pixel; the maximum HV\_zoom is equal to:

$$0.98 \times \frac{20 \text{ ms} - 24 \times 64 \mu\text{s}}{720 \times 288 \times 2 \times 37 \text{ ns}} = 1.18$$

2. Input from X-port: 60 Hz, 720 pixel, 240 lines, 8-bit data at 27 MHz data rate (ITU 656), 2 cycles per pixel; output via I + H-port: 16-bit data at 27 MHz clock, 1 cycle per pixel; the maximum HV\_zoom is equal to:

$$0.98 \times \frac{16.666 \text{ ms} - 22 \times 64 \mu\text{s}}{720 \times 240 \times 1 \times 37 \text{ ns}} = 2.34$$

The video scaler receives its input signal from the video decoder or from the expansion port (X-port).

It gets 16-bit YUV 4 : 2 : 2 input data at a continuous rate of 13.5 MHz from the decoder. Discontinuous data stream can be accepted from the expansion port (X-port), normally 8-bit wide ITU 656 like YUV data, accompanied by a pixel qualifier on XDQ.

The input data stream is sorted into two data paths, one for luminance (or raw samples), and one for time multiplexed chrominance U and V samples. An YUV 4 : 1 : 1 input format is converted to 4 : 2 : 2 for the horizontal prescaling and vertical filter scaling operation.

The scaler operation is defined by two programming pages A and B, representing two different tasks, that can be applied field alternating or to define two regions in a field (e.g. with different scaling range, factors, and signal source during odd and even fields).

Each programming page contains control:

- For signal source selection and formats
- For task handling and trigger conditions
- For input and output acquisition window definition
- For H-prescaler, V-scaler and H-phase scaling.

## PAL/NTSC/SECAM video decoder with adaptive PAL/NTSC comb filter, VBI-data slicer and high performance scaler

SAA7114H

Raw VBI-data will be handled as specific input format and need an own programming page (= own task).

In VBI pass through operation the processing of prescaler and vertical scaling has to be set to no-processing, but the horizontal fine scaling VPD can be activated. Upscaling (oversampling, zooming), free of frequency folding, up to factor 3.5 can be achieved, as required by some software data slicing algorithms.

These raw samples are transported through the image port as valid data and can be output as Y only format. The lines are framed by SAV and EAV codes.

### 8.3.1 ACQUISITION CONTROL AND TASK HANDLING (SUBADDRESSES 80H, 90H, 94H TO 9FH AND C4H TO CFH)

The acquisition control receives horizontal and vertical synchronization signals from the decoder section or from the X-port. The acquisition window is generated via pixel and line counters at the appropriate places in the data path. From X-port only qualified pixels and lines (= lines with qualified pixel) are counted.

The acquisition window parameters are:

- Signal source selection regarding input video stream and formats from the decoder, or from X-port (programming bits SCSRC[1:0]91H[5:4] and FSC[2:0]91H[2:0])
- Remark:** The input of raw VBI-data from internal decoder should be controlled via the decoder output formatter and the LCR registers (see Section 8.2 "Decoder output formatter")
- Vertical offset defined in lines of the video source, parameter YO[11:0]99H[3:0]98H[7:0]
  - Vertical length defined in lines of the video source, parameter YS[11:0]9BH[11:8]9AH[7:0]
  - Vertical length defined in number of target lines, as result of vertical scaling, parameter YD[11:0]9FH[11:8]9EH[7:0]
  - Horizontal offset defined in number of pixels of the video source, parameter XO[11:0]95H[3:0]94H[7:0]
  - Horizontal length defined in number of pixels of the video source, parameter XS[11:0]97H[3:0]96H[7:0]
  - Horizontal destination size, defined in target pixels after fine scaling, parameter XD[11:0]9DH[3:0]9CH[7:0].

The source start offset (XO11 to XO0, YO11 to YO0) opens the acquisition window, and the target size

(XD11 to XD0, YD11 to YD0) closes the window, but the window is cut vertically, if there are less output lines than expected. The trigger events for the pixel and line counts are the horizontal and vertical reference edges as defined in subaddress 92H.

The task handling is controlled by subaddress 90H (see Section 8.3.1.2).

#### 8.3.1.1 Input field processing

The trigger event for the field sequence detection from external signals (X-port) are defined in subaddress 92H. From the X-port the state of the scalers H-reference signal at the time of the V-reference edge is taken as field sequence identifier FID. For example, if the falling edge of the XRV input signal is the reference and the state of XRH input is logic 0 at that time, the detected field ID is logic 0.

The bits XFDV[92H[7]] and XFDH[92H[6]] are defining the detection event and state of the flag from the X-port. For the default setting of XFDV and XFDH at '00' the state of the H-input at the falling edge of the V-input is taken.

The scaler directly gets a corresponding field ID information from the SAA7114H decoder path.

The FID flag is used to determine, whether the first or second field of a frame is going to be processed within the scaler and it is used as trigger condition for the task handling (see bits STRC[1:0]90H[1:0]).

According to ITU 656, FID at logic 0 means first field of a frame. To ease the application, the polarities of the detection results on the X-port signals and the internal decoder ID can be changed via XFDH.

As the V-sync from the decoder path has a half line timing (due to the interlaced video signal), but the scaler processing only knows about full lines, during 1st fields from the decoder the line count of the scaler possibly shifts by one line, compared to the 2nd field. This can be compensated by switching the V-trigger event, as defined by XDVO, to the opposite V-sync edge or by using the vertical scalers phase offsets. The vertical timing of the decoder can be seen in Figs 21 and 22.

As the H and V reference events inside the ITU 656 data stream (from X-port) and the real-time reference signals from the decoder path are processed differently, the trigger events for the input acquisition also have to be programmed differently.

# PAL/NTSC/SECAM video decoder with adaptive PAL/NTSC comb filter, VBI-data slicer and high performance scaler

SAA7114H

**Table 8** Processing trigger and start

DESCRIPTION	XDV1 92H[5]	XDV0 92H[4]	XDH 92H[2]
<b>Internal decoder:</b> The processing triggers at the falling edge of the V123 pulse (see Figs 21 (50 Hz) and 22 (60 Hz)), and starts earliest with the rising edge of the decoder HREF at line number: 4/7 (50/60 Hz, 1st field), respectively 3/6 (50/60 Hz, 2nd field) (decoder count) 2/5 (50/60 Hz, 1st field), respectively 2/5 (50/60 Hz, 2nd field) (decoder count)	0 0	1 0	0 0
<b>External ITU 656 stream:</b> The processing starts earliest with SAV at line number 23 (50 Hz system), respectively line 20 (60 Hz system) (according ITU 656 count)	0	0	0

### 8.3.1.2 Task handling

The task handler controls the switching between the two programming register sets. It is controlled by subaddresses 90H and C0H. A task is enabled via the global control bits TEA[80H[4]] and TEB[80H[5]].

The handler is then triggered by events, which can be defined for each register set.

In case of a programming error the task handling and the complete scaler can be reset to the initial states by the software reset bit SWRST[88H[5]] at logic 0.

Especially if the programming registers, related acquisition window and scale are reprogrammed, while a task is active, a software reset **must** be done after programming.

Contrary to the disabling/enabling of a task, which is evaluated at the end of a running task, SWRST at logic 0 sets the internal state machines directly to their idle states.

The start condition for the handler is defined by bits STRC[1:0]90H[1:0] and means: start immediately, wait for next V-sync, next FID at logic 0 or next FID at logic 1. The FID is evaluated, if the vertical and horizontal offsets are reached.

With RPTSK[90H[2]] at logic 1 the actual running task is repeated (under the defined trigger conditions), before handing control over to the alternate task.

To support field rate reduction, the handler is also enabled to skip fields (bits FSKP[2:0]90H[5:3]) before executing the task. A TOGGLE flag is generated (used for the correct output field processing), which changes state at the beginning of a task, every time a task is activated.

Examples can be seen in Section 8.3.1.3.

### Remarks:

- **To activate a task the start condition must be fulfilled and the acquisition window offsets must be reached.** For example, in case of 'start immediately', and two regions are defined for one field, the offset of the lower region must be greater than (offset + length) of upper region, if not, the actual counted H and V position at the end of the upper task is beyond the programmed offsets and the processing will 'wait for next V'.
- **Basically the trigger conditions are checked, when a task is activated.** It is important to realize, that they are not checked, while a task is inactive. So you can not trigger to next logic 0 or logic 1 with overlapping offset and active video ranges between the tasks (e.g. task A STRC[2:0] = 2, YO[11:0] = 310 and task B STRC[2:0] = 3, YO[11:0] = 310 results in output field rate of  $\frac{50}{3}$  Hz).
- **After power-on or software reset (via SWRST[88H[5]]) task B gets priority over task A.**

---

**PAL/NTSC/SECAM video decoder with adaptive PAL/NTSC  
comb filter, VBI-data slicer and high performance scaler**

---

**SAA7114H****8.3.1.3 Output field processing**

As reference for the output field processing, two signals are available for the back-end hardware.

These signals are the input field ID from the scaler source and a TOGGLE flag, which shows, that an active task is used an odd (1, 3, 5...) or even (2, 4, 6...) number of times. Using a single or both tasks and reducing the field or frame rate with the task handling functionality, the TOGGLE information can be used, to reconstruct an interlaced scaled picture at a reduced frame rate. The TOGGLE flag isn't synchronized to the input field detection, as it is only dependent on the interpretation of this information by the external hardware, whether the output of the scaler is processed correctly (see Section 8.3.3).

With OFIDC = 0, the scalers input field ID is available as output field ID on bit D6 of SAV and EAV, respectively on pin IGP0 (IGP1), if FID output is selected.

When OFIDC[90H[6]] = 1, the TOGGLE information is available as output field ID on bit D6 of SAV and EAV, respectively on pin IGP0 (IGP1), if FID output is selected.

Additionally the bit D7 of SAV and EAV can be defined via CONLH[90H[7]]. CONLH[90H[7]] = 0 (default) sets D7 to logic 1, a logic 1 inverts the SAV/EAV bit D7. So it's possible to mark the output of the both tasks by different SAV/EAV codes. This bit can also be seen as 'task flag' on the pins IGP0 (IGP1), if TASK output is selected.



PAL/NTSC/SECAM video decoder with adaptive PAL/NTSC  
comb filter, VBI-data slicer and high performance scaler

SAA7114H

**Table 9** Examples for field processing

SUBJECT	FIELD SEQUENCE FRAME/FIELD																		
	EXAMPLE 1 <sup>(1)</sup>			EXAMPLE 2 <sup>(2)(3)</sup>				EXAMPLE 3 <sup>(2)(4)(5)</sup>						EXAMPLE 4 <sup>(2)(4)(6)</sup>					
	1/1	1/2	2/1	1/1	1/2	2/1	2/2	1/1	1/2	2/1	2/2	3/1	3/2	1/1	1/2	2/1	2/2	3/1	3/2
Processed by task	A	A	A	B	A	B	A	B	B	A	B	B	A	B	B	A	B	B	A
State of detected ITU 656 FID	0	1	0	0	1	0	1	0	1	0	1	0	1	0	1	0	1	0	1
TOGGLE flag	1	0	1	1	1	0	0	1	0	1	1	0	0	0 <sup>(7)</sup>	1	1	1 <sup>(7)</sup>	0	0
Bit D6 of SAV/EAV byte	0	1	0	0	1	0	1	1	0	1	1	0	0	0 <sup>(7)</sup>	1	1	1 <sup>(7)</sup>	0	0
Required sequence conversion at the vertical scaler <sup>(8)</sup>	UP ↓ UP	LO ↓ LO	UP ↓ UP	UP ↓ UP	LO ↓ LO	UP ↓ UP	LO ↓ LO	UP ↓ LO	LO ↓ UP	UP ↓ LO	LO ↓ LO	UP ↓ UP	LO ↓ UP	UP ↓ UP	LO ↓ LO	UP ↓ LO	LO ↓ LO	UP ↓ UP	LO ↓ UP
Output <sup>(9)</sup>	O	O	O	O	O	O	O	O	O	O	O	O	O	NO	O	O	NO	O	O

**Notes**

1. Single task every field; OFIDC = 0; subaddress 90H at 40H; TEB[80H[5]] = 0.
2. Tasks are used to scale to different output windows, priority on task B after SWRST.
3. Both tasks at 1/2 frame rate; OFIDC = 0; subaddresses 90H at 43H and C0H at 42H.
4. In examples 3 and 4 the association between input FID and tasks can be flipped, dependent on which time the SWRST is de-asserted.
5. Task B at 2/3 frame rate constructed from neighbouring motion phases; task A at 1/3 frame rate of equidistant motion phases; OFIDC = 1; subaddresses 90H at 41H and C0H at 45H.
6. Task A and B at 1/3 frame rate of equidistant motion phases; OFIDC = 1; subaddresses 90H at 41H and C0H at 49H.
7. State of prior field.
8. It is assumed that input/output FID = 0 (= upper lines); UP = upper lines; LO = lower lines.
9. O = data output; NO = no output.

## PAL/NTSC/SECAM video decoder with adaptive PAL/NTSC comb filter, VBI-data slicer and high performance scaler

SAA7114H

### 8.3.2 HORIZONTAL SCALING

The overall horizontal required scaling factor has to be split into a binary and a rational value according to the equation:

$$\text{H-scale ratio} = \frac{\text{output pixel}}{\text{input pixel}}$$

$$\text{H-scale ratio} = \frac{1}{\text{XPSC}[5:0]} \times \frac{1024}{\text{XSCY}[12:0]}$$

where, parameter of prescaler  $\text{XPSC}[5:0] = 1$  to 63 and parameter of VPD phase interpolation  $\text{XSCY}[12:0] = 300$  to 8191 (0 to 299 are only theoretical values). For example,  $\frac{1}{3.5}$  is to split in  $\frac{1}{4} \times 1.14286$ . The binary factor is processed by the prescaler, the arbitrary non-integer ratios is achieved via the variable phase delay VPD circuitry, called horizontal fine scaling. Latter calculates horizontally interpolated new samples with a 6-bit phase accuracy, which relates to less than 1 ns jitter for regular sampling scheme. Prescaler and fine scaler are building the horizontal scaler of the SAA7114H.

Using the accumulation length function of the prescaler ( $\text{XACL}[5:0]\text{A1H}[5:0]$ ), application and destination dependent (e.g. scale for display or for a compression machine), a compromise between visible bandwidth and alias suppression can be found.

#### 8.3.2.1 Horizontal prescaler (subaddresses A0H to A7H and D0H to D7H)

The prescaling function consists of an FIR anti-alias filter stage and an integer prescaler, which is building an adaptive prescale dependent low-pass filter, to balance sharpness and aliasing effects.

The FIR prefilter stage implements different low-pass characteristics to reduce alias for down-scales in the range of 1 to  $\frac{1}{2}$ . A CIF optimized filter is build in, which reduces artefacts for CIF output formats (to be used in combination with the prescaler set to  $\frac{1}{2}$  scale). See Table 10.

The functionality of the prescaler is defined by:

- An integer prescaling ratio  $\text{XPSC}[5:0]\text{A0H}[5:0]$  (= 1 to 63), which covers the integer down-scale range 1 to  $\frac{1}{63}$
- An averaging sequence length  $\text{XACL}[5:0]\text{A1H}[5:0]$  (= 0 to 63); range 1 to 64
- A DC gain renormalization  $\text{XDCG}[2:0]\text{A2H}[2:0]$ ; 1 down to  $\frac{1}{128}$

- The bit  $\text{XC2\_1}[\text{A2H}[3]]$ , which defines the weighting of the incoming pixels during the averaging process
  - $\text{XC2\_1} = 0 \Rightarrow 1 + 1 \dots + 1 + 1$
  - $\text{XC2\_1} = 1 \Rightarrow 1 + 2 \dots + 2 + 1$

The prescaler builds a prescale dependent FIR low-pass, with up to (64 + 7) filter taps. The parameter  $\text{XACL}[5:0]$  can be used to vary the low-pass characteristic for a given integer prescale of  $\frac{1}{\text{XPSC}[5:0]}$ . The user can therewith decide between signal bandwidth (= sharpness impression) and alias.

Equation for  $\text{XPSC}[5:0]$  calculation is:

$$\text{XPSC}[5:0] = \text{lower integer of } \frac{\text{Npix\_in}}{\text{Npix\_out}}$$

where,

the range is 1 to 63 (**value 0 is not allowed!**);

$\text{Npix\_in}$  = number of input pixel, and

$\text{Npix\_out}$  = number of desired output pixel over the complete horizontal scaler.

**The use of the prescaler results in a  $\text{XACL}[5:0]$  and  $\text{XC2\_1}$  dependent gain amplification.** The amplification can be calculated according to the equation:

$$\text{DC gain} = ((\text{XACL} - \text{XC2\_1}) + 1) \times (\text{XC2\_1} + 1)$$

It is recommended to use sequence lengths and weights, which results in a  $2^N$  DC gain amplification, as these amplitudes can be renormalized by the  $\text{XDCG}[2:0]$

controlled  $\frac{1}{2^N}$  shifter of the prescaler.

The renormalization range of  $\text{XDCG}[2:0]$  is 1,  $\frac{1}{2}$ ... down to  $\frac{1}{128}$ .

Other amplifications have to be normalized by using the following BCS control circuitry. In these cases the prescaler has to be set to an overall gain  $\leq 1$ , e.g. for an accumulation sequence of '1 + 1 + 1' ( $\text{XACL}[5:0] = 2$  and  $\text{XC2\_1} = 0$ ),  $\text{XDCG}[2:0]$  must be set to '010', equals  $\frac{1}{4}$  and the BCS has to amplify the signal to  $\frac{4}{3}$  ( $\text{SATN}[7:0]$  and  $\text{CONT}[7:0]$  value = lower integer of  $\frac{4}{3} \times 64$ ).

**The use of  $\text{XACL}[5:0]$  is  $\text{XPSC}[5:0]$  dependent.  $\text{XACL}[5:0]$  must be  $\leq 2 \times \text{XPSC}[5:0]$ .**

$\text{XACL}[5:0]$  can be used to find a compromise between bandwidth (= sharpness) and alias effects.

**PAL/NTSC/SECAM video decoder with adaptive PAL/NTSC comb filter, VBI-data slicer and high performance scaler**

**SAA7114H**

**Remark:** Due to bandwidth considerations XPSC[5:0] and XACL[5:0] can be chosen different to the previous mentioned equations or Table 11, as the H-phase scaling is able to scale in the range from zooming up by factor 3 to down-scale by a factor of  $1024/8191$ .

Figs 26 and 27 show some resulting frequency characteristics of the prescaler.

Table 11 shows the recommended prescaler programming. Other programmings, than documented in Table 11, may result in better alias suppression, but the resulting DC gain amplification needs to be compensated by the BCS control, according to the equation:

$$\text{CONT}[7:0] = \text{SATN}[7:0] = \text{lower integer of } \frac{2^{\text{XDG}[2:0]}}{\text{DC gain} \times 64}$$

Where:

$$2^{\text{XDCG}[2:0]} \geq \text{DC gain}$$

$$\text{DC gain} = (\text{XC2}_1 + 1) \times \text{XACL}[5:0] + (1 - \text{XC2}_1).$$

For example, if XACL[5:0] = 5, XC2\_1 = 1, then DC gain = 10 and the required XDCG[2:0] = 4.

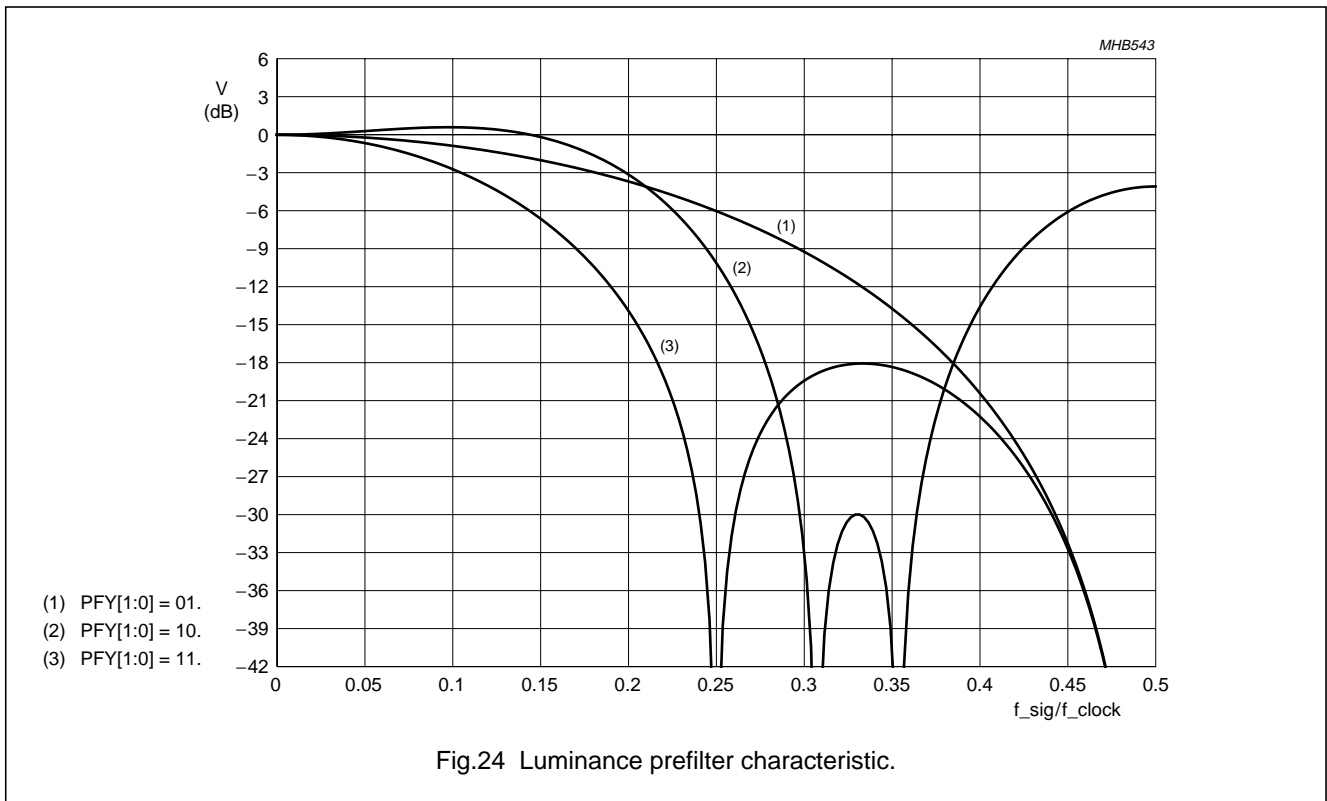
The horizontal source acquisition timing and the prescaling ratio is identical for both luminance path and chrominance path, but the FIR filter settings can be defined differently in the two channels.

Fade-in and fade-out of the filters is achieved by copying an original source sample each as first and last pixel after prescaling.

Figs 24 and 25 show the frequency characteristics of the selectable FIR filters.

**Table 10** FIR prefilter functions

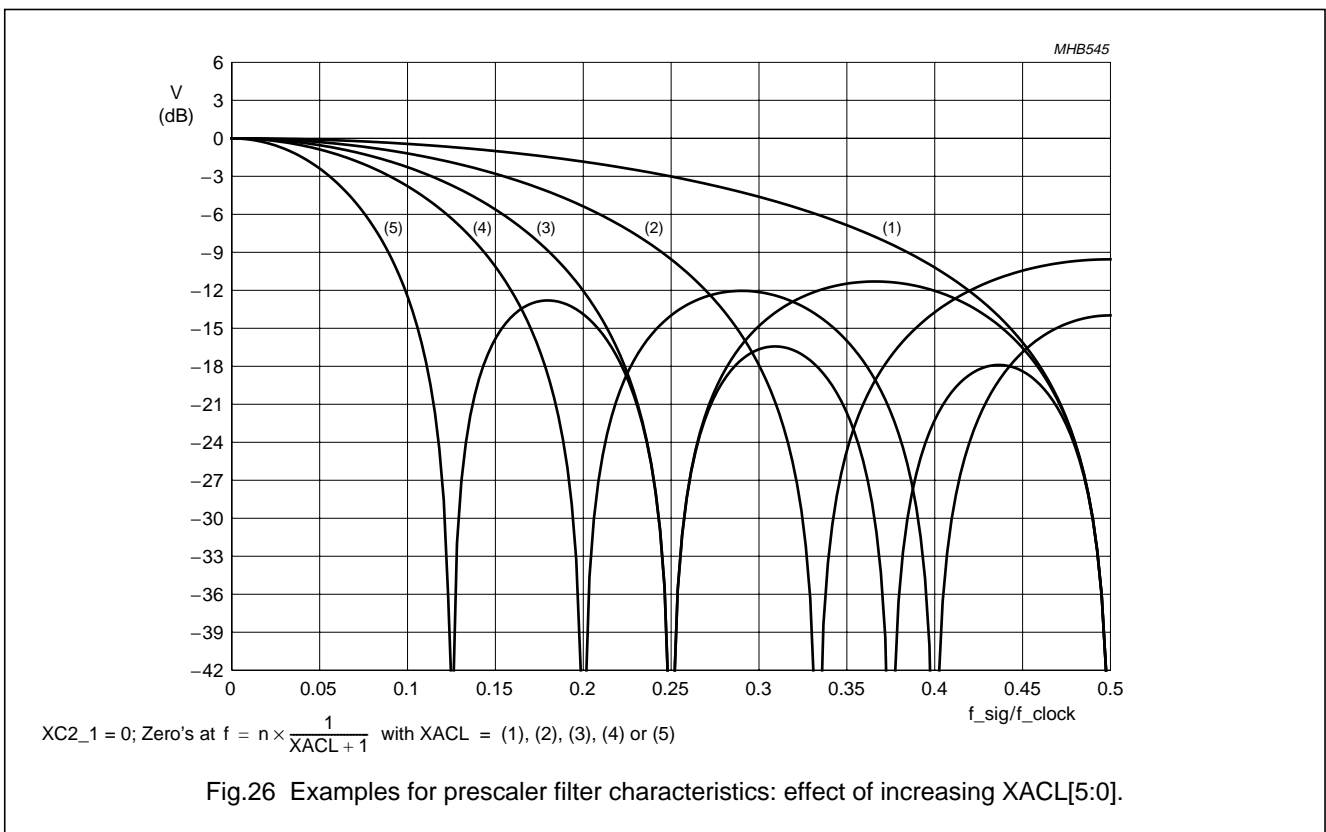
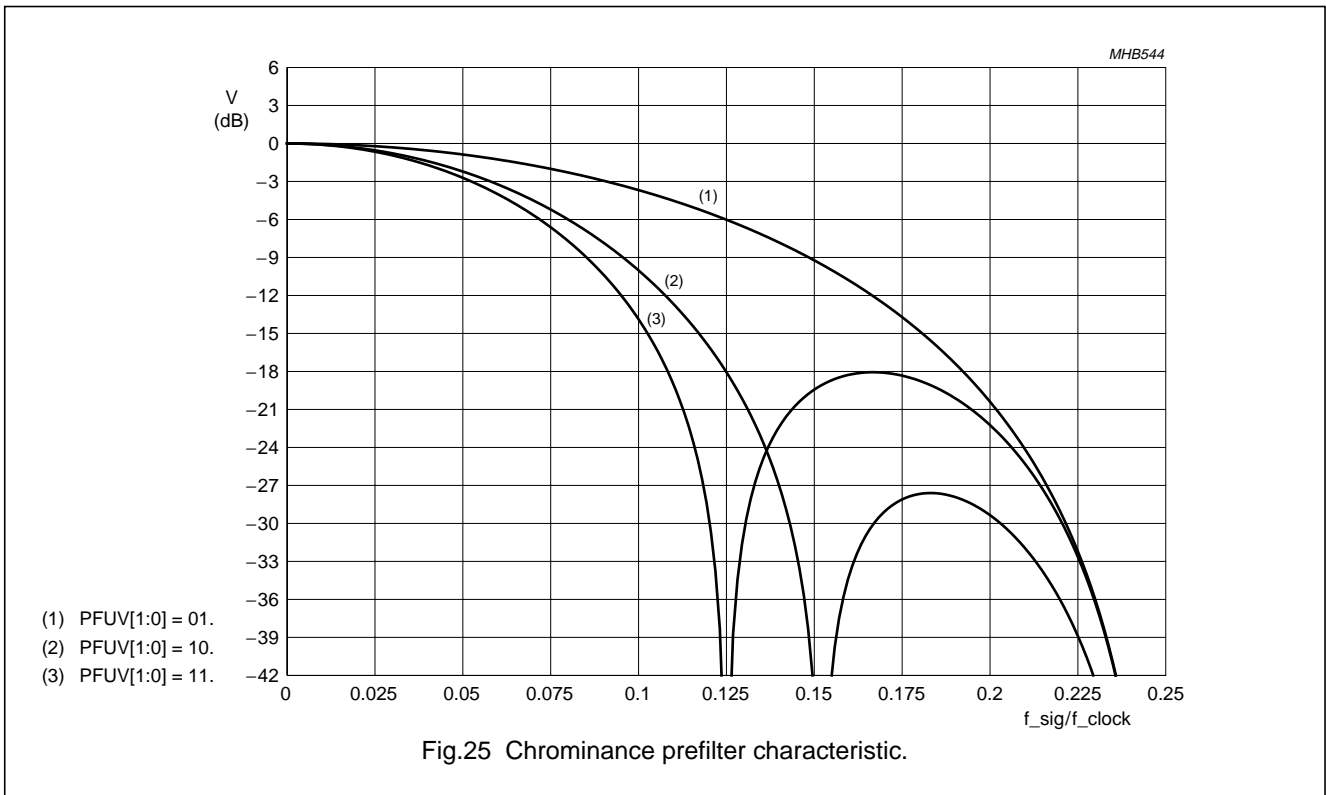
PFUV[1:0]A2H[7:6] PFY[1:0]A2H[5:4]	LUMINANCE FILTER COEFFICIENTS	CHROMINANCE COEFFICIENTS
00	bypassed	bypassed
01	1 2 1	1 2 1
10	-1 1 1.75 4.5 1.75 1 -1	3 8 10 8 3
11	1 2 2 2 1	1 2 2 2 1



**Fig.24** Luminance prefilter characteristic.

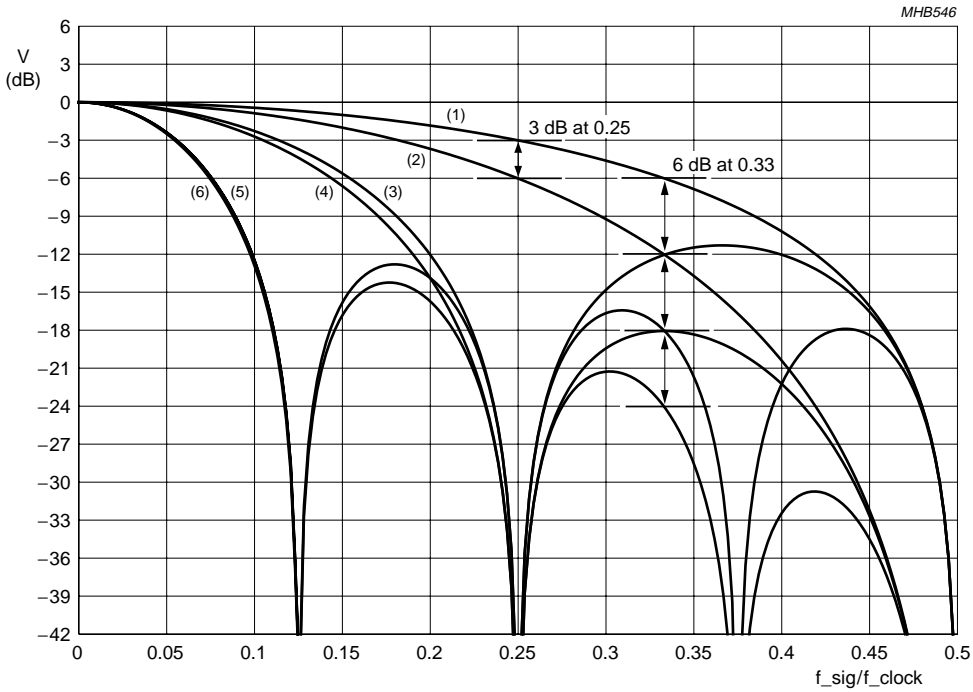
PAL/NTSC/SECAM video decoder with adaptive PAL/NTSC comb filter, VBI-data slicer and high performance scaler

SAA7114H



PAL/NTSC/SECAM video decoder with adaptive PAL/NTSC comb filter, VBI-data slicer and high performance scaler

SAA7114H



- (1) XC2\_1 = 0 and XACL[5:0] = 1.
- (2) XC2\_1 = 1 and XACL[5:0] = 2.
- (3) XC2\_1 = 0 and XACL[5:0] = 3.
- (4) XC2\_1 = 1 and XACL[5:0] = 4.
- (5) XC2\_1 = 0 and XACL[5:0] = 7.
- (6) XC2\_1 = 1 and XACL[5:0] = 8.

Fig.27 Examples for prescaler filter characteristics: setting XC2\_1 =1.

PAL/NTSC/SECAM video decoder with adaptive PAL/NTSC comb filter, VBI-data slicer and high performance scaler

SAA7114H

Table 11 XACL[5:0] usage example

PRESCALE RATIO	XPS [5:0]	RECOMMENDED VALUES						FIR PREFILTER PFY[1:0]/PFUV[1:0]
		FOR LOWER BANDWIDTH REQUIREMENTS			FOR HIGHER BANDWIDTH REQUIREMENTS			
		XACL[5:0]	XC2_1	XDCG[2:0]	XACL[5:0]	XC2_1	XDCG[2:0]	
1	1	0	0	0	0	0	0	0 to 2
1/2	2	2	1	2	1	0	1	0 to 2
		(1 2 1) × 1/4 <sup>(1)</sup>			(1 1) × 1/2 <sup>(1)</sup>			
1/3	3	4	1	3	3	0	2	2
		(1 2 2 2 1) × 1/8 <sup>(1)</sup>			(1 1 1 1) × 1/4 <sup>(1)</sup>			
1/4	4	8	1	4	4	1	3	2
		(1 2 2 2 2 2 2 1) × 1/16 <sup>(1)</sup>			(1 2 2 2 1) × 1/8 <sup>(1)</sup>			
1/5	5	8	1	4	7	0	3	2
		(1 2 2 2 2 2 2 2 1) × 1/16 <sup>(1)</sup>			(1 1 1 1 1 1 1 1 1) × 1/8 <sup>(1)</sup>			
1/6	6	8	1	4	7	0	3	3
		(1 2 2 2 2 2 2 2 1) × 1/16 <sup>(1)</sup>			(1 1 1 1 1 1 1 1 1) × 1/8 <sup>(1)</sup>			
1/7	7	8	1	4	7	0	3	3
		(1 2 2 2 2 2 2 2 1) × 1/16 <sup>(1)</sup>			(1 1 1 1 1 1 1 1 1) × 1/8 <sup>(1)</sup>			
1/8	8	15	0	4	8	1	4	3
		(1 1 1 1 1 1 1 1 1 1 1 1 1 1 1 1) × 1/16 <sup>(1)</sup>			(1 2 2 2 2 2 2 2 1) × 1/16 <sup>(1)</sup>			
1/9	9	15	0	4	8	1	4	3
		(1 1 1 1 1 1 1 1 1 1 1 1 1 1 1 1) × 1/16 <sup>(1)</sup>			(1 2 2 2 2 2 2 2 1) × 1/16 <sup>(1)</sup>			
1/10	10	16	1	5	8	1	4	3
		(1 2 2 2 2 2 2 2 2 2 2 2 2 2 2 2 1) × 1/32 <sup>(1)</sup>			(1 2 2 2 2 2 2 2 1) × 1/16 <sup>(1)</sup>			
1/13	13	16	1	5	16	1	5	3
1/15	15	31	0	5	16	1	5	3
1/16	16	32	1	6	16	1	5	3
1/19	19	32	1	6	32	1	6	3
1/31	31	32	1	6	32	1	6	3
1/32	32	63	1	7	32	1	6	3
1/35	35	63	1	7	63	1	7	3

Note

1. Resulting FIR function.

## PAL/NTSC/SECAM video decoder with adaptive PAL/NTSC comb filter, VBI-data slicer and high performance scaler

SAA7114H

### 8.3.2.2 Horizontal fine scaling (variable phase delay filter; subaddresses A8H to AFH and D8H to DFH)

The horizontal fine scaling (VPD) should operate at scaling ratios between  $\frac{1}{2}$  and 2 (0.8 and 1.6), but can also be used for direct scale in the range from  $\frac{1}{7.999}$  to (theoretical) zoom 3.5 (restriction due to the internal data path architecture), without prescaler.

In combination with the prescaler a compromise between sharpness impression and alias can be found, which is signal source and application dependent.

For the luminance channel a filter structure with 10 taps is implemented, for the chrominance a filter with 4 taps.

Luminance and chrominance scale increments (XSCY[12:0]A9H[4:0]A8H[7:0] and XSCC[12:0]ADH[4:0]ACH[7:0]) are defined independently, but must be set in a 2 : 1 relation in the actual data path implementation. The phase offsets XPHY[7:0]AAH[7:0] and XPHC[7:0]AEH[7:0] can be used to shift the sample phases slightly. XPHY[7:0] and XPHC[7:0] covers the phase offset range  $7.999T$  to  $\frac{1}{32}T$ . The phase offsets should also be programmed in a 2 : 1 ratio.

The underlying phase controlling DTO has a 13-bit resolution.

According to the equations

$$XSCY[12:0] = 1024 \times \frac{N_{\text{pix\_in}}}{X_{\text{PSC}}} \times \frac{1}{N_{\text{pix\_out}}} \text{ and}$$

$$XSCC[12:0] = \frac{XSCY[12:0]}{2} \text{ the VPD covers the scale}$$

range from 0.125 to zoom 3.5. VPD acts equivalent to a polyphase filter with 64 possible phases. In combination with the prescaler, it is possible to get very accurate samples from a highly anti-aliased integer down-scaled input picture.

### 8.3.3 VERTICAL SCALING

The vertical scaler of the SAA7114H consists of a line FIFO buffer for line repetition and the vertical scaler block, which implements the vertical scaling on the input data stream in 2 different operational modes from theoretical zoom by 64 down to icon size  $\frac{1}{64}$ . The vertical scaler is located between the BCS and horizontal fine scaler, so that the BCS can be used to compensate the DC gain amplification of the ACM mode (see Section 8.3.3.2) as the internal RAMs are only 8-bit wide.

### 8.3.3.1 Line FIFO buffer (subaddresses 91H, B4H and C1H, E4H)

The line FIFO buffer is a dual ported RAM structure for 768 pixels, with asynchronous write and read access. The line buffer can be used for various functions, but not all functions may be available simultaneously.

The line buffer can buffer a complete unscaled active video line or more than one shorter lines (only for non-mirror mode), for selective repetition for vertical zoom-up.

For zooming up 240 lines to 288 lines e.g., every fourth line is requested (read) twice from the vertical scaling circuitry for calculation.

For conversion of a 4 : 2 : 0 or 4 : 1 : 0 input sampling scheme (MPEG, video phone, video YUV-9) to CCIR like sampling scheme 4 : 2 : 2, the chrominance line buffer is read twice of four times, before being refilled again by the source. By means of the input acquisition window definition it has to be preserved, that the processing starts with a line containing luminance and chrominance information for 4 : 2 : 0 and 4 : 1 : 0 input. The bits FSC[2:1]91H[2:1] are defining the distance between the Y/C lines. In case of 4 : 2 : 2 and 4 : 1 : 1 FSC2 to FSC1 have to be set to '00'.

The line buffer can also be used for mirroring, i.e. for flipping the image left to right, for the vanity picture in video phone application (bit YMIR[B4H[4]]). In mirror mode only one active prescaled line can be held in the FIFO at a time.

The line buffer can be utilized as excessive pipeline buffer for discontinuous and variable rate transfer conditions at expansion port or image port.

## PAL/NTSC/SECAM video decoder with adaptive PAL/NTSC comb filter, VBI-data slicer and high performance scaler

SAA7114H

### 8.3.3.2 Vertical scaler (subaddresses B0H to BFH and E0H to EFH)

Vertical scaling of any ratio from 64 (theoretical zoom) to  $\frac{1}{63}$  (icon) can be applied.

The vertical scaling block consists of another line delay, and the vertical filter structure, that can operate in two different modes. Called linear interpolation (LPI) and accumulation (ACM) mode, controlled by YMODE[B4H[0]].

- **LPI mode:** In Linear Phase Interpolation (LPI) mode (YMODE = 0) two neighbouring lines of the source video stream are added together, but weighted by factors corresponding to the vertical position (phase) of the target output line relative to the source lines. This linear interpolation has a 6-bit phase resolution, which equals 64 intra line phases. It interpolates between two consecutive input lines only. LPI mode should be applied for scaling ratios around 1 (down to  $\frac{1}{2}$ ), **it must be applied for vertical zooming.**
- **ACM mode:** The vertical Accumulation (ACM) mode (YMODE = 1) represents a vertical averaging window over multiple lines, sliding over the field. This mode also generates phase correct output lines. The averaging window length corresponds to the scaling ration, resulting in an adaptive vertical low-pass effect, to greatly reduce aliasing artefacts. ACM can be applied for down-scales only from ratio 1 down to  $\frac{1}{64}$ . ACM results in a scale dependent **DC gain amplification**, which has to be precorrected by the BCS control of the scaler part.

The phase and scale controlling DTO calculates in 16-bit resolution, controlled by parameters YSCY[15:0]B1H[7:0]B0H[7:0] and YSCC[15:0]B3H[7:0]B2H[7:0], continuously over the entire field. A start offset can be applied to the phase processing by means of the parameters YPY3[7:0] to YPY0[7:0] in BFH[7:0] to BCH[7:0] and YPC3[7:0] to YPC0[7:0] in BBH[7:0] to B8H[7:0]. The start phase covers the range of  $\frac{255}{32}$  to  $\frac{1}{32}$  lines offset.

By programming appropriate, opposite, vertical start phase values (subaddresses B8H to BFH and E8H to EFH) depending on odd/even field ID of the source video stream and A/B-page cycle, frame ID conversion

and field rate conversion are supported (i.e. de-interlacing, re-interlacing).

Figs 28 and 29 and Tables 12 and 13 are describing the use of the offsets.

**Remark: The vertical start phase, as well as scaling ratio are defined independently for luminance and chrominance channel, but must be set to the same values in the actual implementation for accurate 4 : 2 : 2 output processing.**

The vertical processing communicates on it's input side with the line FIFO buffer. The scale related equations are:

- Scaling increment calculation for ACM and LPI mode, down-scale and zoom:

$$YSCY(C)[15:0] = \text{lower integer of} \left( 1024 \times \frac{N_{\text{line\_in}}}{N_{\text{line\_out}}} \right)$$

- BCS value to compensate DC gain in ACM mode (contrast and saturation have to be set):  
CONT[7:0]A5H[7:0] respectively SATN[7:0]A6H[7:0]

$$= \text{lower integer of} \left( \frac{N_{\text{line\_out}}}{N_{\text{line\_in}}} \times 64 \right), \text{ or}$$

$$= \text{lower integer of} \left( \frac{1024}{YSCY[15:0]} \times 64 \right)$$

### 8.3.3.3 Use of the vertical phase offsets

As shown in Section 8.3.1.3, the scaler processing may run randomly over the interlaced input sequence. Additionally the interpretation and timing between ITU 656 field ID and real-time detection by means of the state of H-sync at falling edge of V-sync may result in different field ID interpretation.

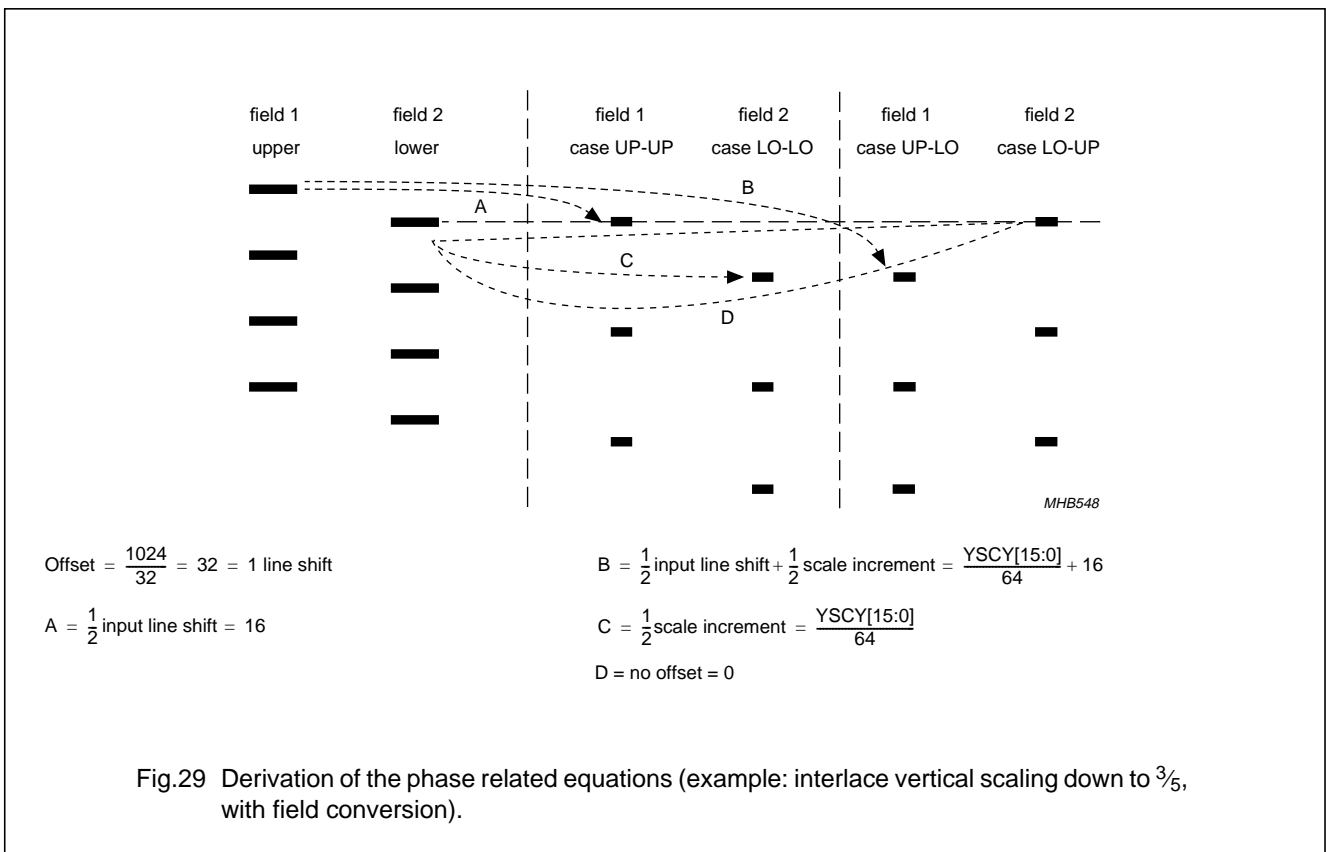
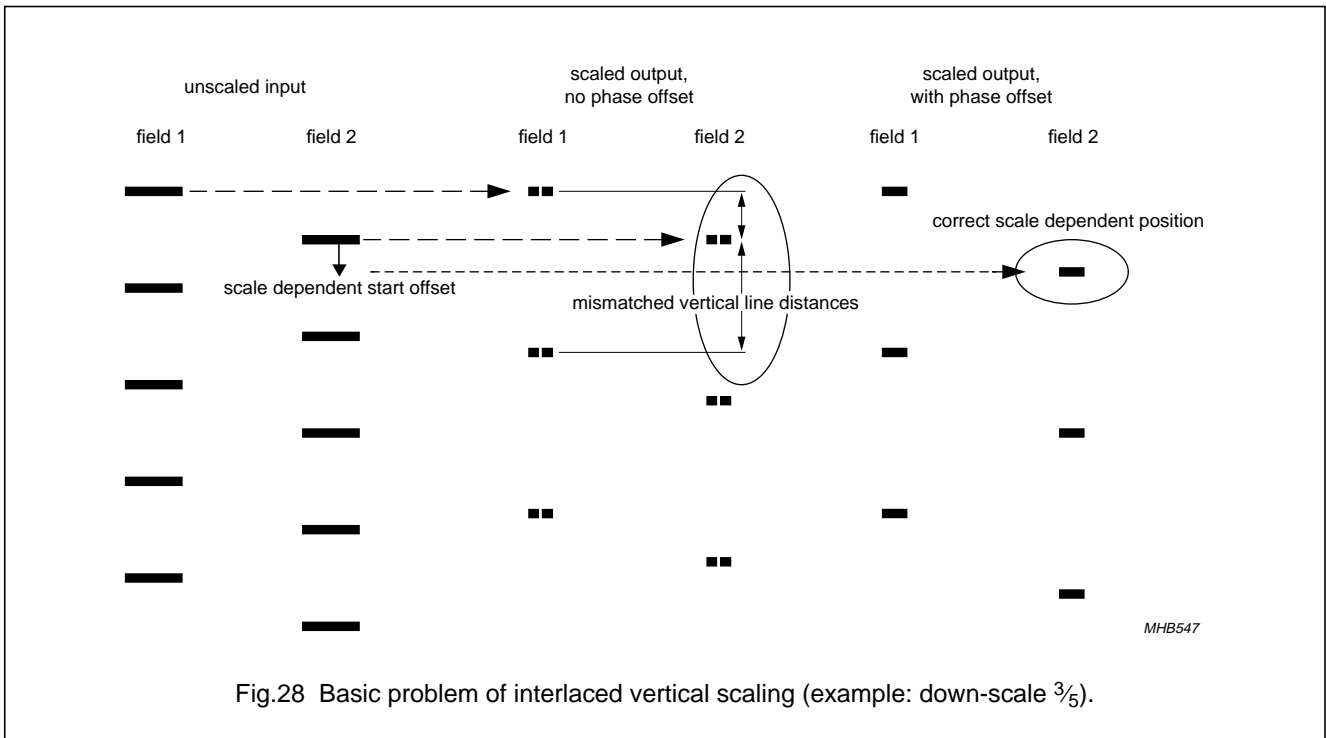
Also a vertically scaled interlaced output gets a larger vertical sampling phase error, if the interlaced input fields are processed, without regarding the actual scale at the starting point of operation (see Fig.28).

Four events are to be considered, they are illustrated in Fig.29.



PAL/NTSC/SECAM video decoder with adaptive PAL/NTSC comb filter, VBI-data slicer and high performance scaler

SAA7114H



# PAL/NTSC/SECAM video decoder with adaptive PAL/NTSC comb filter, VBI-data slicer and high performance scaler

SAA7114H

In Tables 12 and 13 **PHO** is a usable common phase offset.

Please notice that the equations of Fig.29 are producing an interpolated output also for the unscaled case, as the geometrical reference position for all conversions is the position of the first line of the lower field (see Table 12).

If there is no need for UP-LO and LO-UP conversion and the input field ID is the reference for the back-end operation, then it is UP-LO = UP-UP and LO-UP = LO-LO and the  $\frac{1}{2}$  line phase shift ( $PHO + 16$ ) can be skipped. This case is listed in Table 13.

The SAA7114H supports 4 phase offset registers per task and component (luminance and chrominance). The value of 20H represents a phase shift of one line.

The registers are assigned to the following events; e.g. subaddresses B8H to BBH:

- B8H: 00 = input field ID 0, task status bit 0 (toggle status, see Section 8.3.1.3)
- B9H: 01 = input field ID 0, task status bit 1
- BAH: 10 = input field ID 1, task status bit 0
- BBH: 11 = input field ID 1, task status bit 1.

Dependent on the input signal (interlaced or non-interlaced) and the task processing (50 Hz or field reduced processing with one or two tasks, see examples in Section 8.3.1.3), also other combinations may be possible, but the basic equations are the same.

**Table 12** Examples for vertical phase offset usage: global equations

INPUT FIELD UNDER PROCESSING	OUTPUT FIELD INTERPRETED AS	USED ABBREVIATION	EQUATION FOR PHASE OFFSET CALCULATION (DECIMAL VALUES)
Upper input lines	upper output lines	UP-UP	$PHO + 16$
Upper input lines	lower output lines	UP-LO	$PHO + \frac{YSCY[15:0]}{64} + 16$
Lower input lines	upper output lines	LO-UP	$PHO$
Lower input lines	Lower output lines	LO-LO	$PHO + \frac{YSCY[15:0]}{64}$

PAL/NTSC/SECAM video decoder with adaptive PAL/NTSC  
comb filter, VBI-data slicer and high performance scaler

SAA7114H

**Table 13** Vertical phase offset usage; assignment of the phase offsets

DETECTED INPUT FIELD ID	TASK STATUS BIT	VERTICAL PHASE OFFSET	CASE	EQUATION TO BE USED
0 = upper lines	0	YPY(C)0[7:0]	case 1 <sup>(1)</sup>	UP-UP (PHO)
			case 2 <sup>(2)</sup>	UP-UP
			case 3 <sup>(3)</sup>	UP-LO
0 = upper lines	1	YPY(C)1[7:0]	case 1	UP-UP (PHO)
			case 2	UP-LO
			case 3	UP-UP
1 = lower lines	0	YPY(C)2[7:0]	case 1	$LO-LO \left( PHO + \frac{YSCY[15:0]}{64} - 16 \right)$
			case 2	LO-UP
			case 3	LO-LO
1 = lower lines	1	YPY(C)3[7:0]	case 1	$LO-LO \left( PHO + \frac{YSCY[15:0]}{64} - 16 \right)$
			case 2	LO-LO
			case 3	LO-UP

**Notes**

- Case 1: OFIDC[90H[6]] = 0; scaler input field ID as output ID; back-end interprets output field ID at logic 0 as upper output lines.
- Case 2: OFIDC[90H[6]] = 1; task status bit as output ID; back-end interprets output field ID at logic 0 as upper output lines.
- Case 3: OFIDC[90H[6]] = 1; task status bit as output ID; back-end interprets output field ID at logic 1 as upper output lines.

# PAL/NTSC/SECAM video decoder with adaptive PAL/NTSC comb filter, VBI-data slicer and high performance scaler

SAA7114H

## 8.4 VBI-data decoder and capture (subaddresses 40H to 7FH)

The SAA7114H contains a versatile VBI-data decoder.

The implementation and programming model accords to the VBI-data slicer built in the multimedia video data acquisition circuit SAA5284.

The circuitry recovers the actual clock phase during the clock run-in period, slices the data bits with the selected data rate, and groups them to bytes. The result is buffered into a dedicated VBI-data FIFO with a capacity of  $2 \times 56$  bytes ( $2 \times 14$  Dwords). The clock frequency, signals source, field frequency, accepted error count must be defined in subaddress 40H.

The supported VBI-data standards are shown in Table 14.

For lines 2 to 24 of a field, per VBI line, 1 of 16 standards can be selected (LCR24\_[7:0] to LCR2\_[7:0] in 57H[7:0] to 41H[7:0]:  $23 \times 2 \times 4$  bit programming bits).

The definition for line 24 is valid for the rest of the corresponding field, normally no text data (= video data) should be selected there (LCR24\_[7:0] = FFH) to stop the activity of the VBI-data slicer during active video.

To adjust the slicers processing to the input signal source, there are offsets in horizontal and vertical direction available: parameters HOFF[10:0]5BH[2:0]59H[7:0], VOFF[8:0]5BH[4]5AH[7:0] and FOFF[5BH[7]].

Contrary to the scalers counting, the slicers offsets are defining the position of the H and V trigger events related to the processed video field. The trigger events are the falling edge of HREF and the falling edge of V123 from the decoder processing part.

The relation of these programming values to the input signal and the recommended values can be seen in Tables 4 to 7.

**Table 14** Data types supported by the data slicer block

DT[3:0] 62H[3:0]	STANDARD TYPE	DATA RATE (Mbits/s)	FRAMING CODE	FC WINDOW	HAM CHECK
0000	teletext EuroWST, CCST	6.9375	27H	WST625	always
0001	European closed caption	0.500	001	CC625	
0010	VPS	5	9951H	VPS	
0011	wide screen signalling bits	5	1E3C1FH	WSS	
0100	US teletext (WST)	5.7272	27H	WST525	always
0101	US closed caption (line 21)	0.503	001	CC525	
0110	(video data selected)	5	none	disable	
0111	(raw data selected)	5	none	disable	
1000	teletext	6.9375	programmable	general text	optional
1001	VITC/EBU time codes (Europe)	1.8125	programmable	VITC625	
1010	VITC/SMPTE time codes (USA)	1.7898	programmable	VITC625	
1011	reserved				
1100	US NABTS	5.7272	programmable	NABTS	optional
1101	MOJI (Japanese)	5.7272	programmable (A7H)	Japtext	
1110	Japanese format switch (L20/22)	5	programmable	open	
1111	no sliced data transmitted (video data selected)	5	none	disable	

**PAL/NTSC/SECAM video decoder with adaptive PAL/NTSC comb filter, VBI-data slicer and high performance scaler**

**SAA7114H**

**8.5 Image port output formatter (subaddresses 84H to 87H)**

The output interface consists of a FIFO for video and for sliced text data, an arbitration circuit, which controls the mixed transfer of video and sliced text data over the I-port and a decoding and multiplexing unit, which generates the 8 or 16-bit wide output data stream and the accompanied reference and supporting information.

The clock for the output interface can be derived from an internal clock, decoder, expansion port, or an externally provided clock which is appropriate for e.g. VGA and frame buffer. The clock can be up to 33 MHz. The scaler provides the following video related timing reference events (signals), which are available on pins as defined by subaddresses 84H and 85H:

- Output field ID
- Start and end of vertical active video range,
- Start and end of active video line
- Data qualifier or gated clock
- Actually activated programming page (if CONLH is used)
- Threshold controlled FIFO filling flags (empty, full, filled)
- Sliced data marker.

The disconnected data stream at the scaler output is accompanied by a data valid flag (or data qualifier), or is transported via a gated clock. Clock cycles with invalid data on the I-port data bus (including the HPD pins in 16-bit output mode) are marked with code 00H.

The output interface also arbitrates the transfer between scaled video data and sliced text data over the I-port output.

The bits VITX1 and VITX0 (subaddress 86H) are used to control the arbitration.

As further operation the serialization of the internal 32-bit Dwords to 8-bit or optional 16-bit output, as well as the insertion of the extended ITU 656 codes (SAV/EAV for video data, ANC or SAV/EAV codes for sliced text data) are done here.

For handshake with the VGA controller, or other memory or bus interface circuitry, programmable FIFO flags are provided (see Section 8.5.2).

**8.5.1 SCALER OUTPUT FORMATTER (SUBADDRESSES 93H AND C3H)**

The output formatter organizes the packing into the output FIFO. The following formats are available: YUV 4 : 2 : 2, YUV 4 : 1 : 1, YUV 4 : 2 : 0, YUV 4 : 1 : 0, Y only (e.g. for raw samples). The formatting is controlled by FSI[2:0]93H[2:0], FOI[1:0]93H[4:3] and FYSK[93H[5]].

The data formats are defined on Dwords, or multiples, and are similar to the video formats as recommended for PCI multimedia applications (compare SAA7146A), but planar formats are not supported.

FSI[2:0] defines the horizontal packing of the data, FOI[1:0] defines, how many Y only lines are expected, before a Y/C line will be formatted. If FYSK is set to logic 0 preceding Y only lines will be skipped, and output will always start with a Y/C line.

Additionally the output formatter limits the amplitude range of the video data (controlled by ILLV[85H[5]]); see Table 17.

**Table 15** Byte stream for different output formats

OUTPUT FORMAT	BYTE SEQUENCE FOR 8-BIT OUTPUT MODES													
YUV 4 : 2 : 2	C <sub>B0</sub>	Y0	C <sub>R0</sub>	Y1	C <sub>B2</sub>	Y2	C <sub>R2</sub>	Y3	C <sub>B4</sub>	Y4	C <sub>R4</sub>	Y5	C <sub>B6</sub>	Y6
YUV 4 : 1 : 1	C <sub>B0</sub>	Y0	C <sub>R0</sub>	Y1	C <sub>B4</sub>	Y2	C <sub>R4</sub>	Y3	Y4	Y5	Y6	Y7	C <sub>B8</sub>	Y8
Y only	Y0	Y1	Y2	Y3	Y4	Y5	Y6	Y7	Y8	Y9	Y10	Y11	Y12	Y13

**Table 16** Explanation to Table 15

NAME	EXPLANATION
C <sub>Bn</sub>	U (B – Y) colour difference component, pixel number n = 0, 2, 4 to 718
Y <sub>n</sub>	Y (luminance) component, pixel number n = 0, 1, 2, 3 to 719
C <sub>Rn</sub>	V (R – Y) colour difference component, pixel number n = 0, 2, 4 to 718

# PAL/NTSC/SECAM video decoder with adaptive PAL/NTSC comb filter, VBI-data slicer and high performance scaler

SAA7114H

**Table 17** Limiting range on I-port

LIMIT STEP ILLV[85H[5]]	VALID RANGE		SUPPRESSED CODES (HEXADECIMAL VALUE)	
	DECIMAL VALUE	HEXADECIMAL VALUE	LOWER RANGE	UPPER RANGE
0	1 to 254	01 to FE	00	FF
1	8 to 247	08 to F7	00 to 07	F8 to FF

## 8.5.2 VIDEO FIFO (SUBADDRESS 86H)

The video FIFO at the scaler output contains 32 Dwords. That corresponds to 64 pixels in 16-bit YUV 4 : 2 : 2 format. But as the entire scaler can act as pipeline buffer, the actually available buffer capacity for the image port is much higher, and can exceed beyond a video line.

The image port, and the video FIFO, can operate with the video source clock (synchronous mode) or with externally provided clock (asynchronous, and burst mode), as appropriate for the VGA controller or attached frame buffer.

The video FIFO provides 4 internal flags, reporting to which extent the FIFO is actually filled. These are:

- The FIFO Almost Empty (FAE) flag
- The FIFO Combined Flag (FCF) or FIFO filled, which is set at almost full level and reset, with hysteresis, only after the level crosses below the almost empty mark
- The FIFO Almost Full (FAF) flag
- The FIFO Overflow (FOVL) flag.

The trigger levels for FAE and FAF are programmable by FFL[1:0]86H[3:2] (16, 24, 28, full) and FEL[1:0]86H[1:0] (16, 8, 4, empty).

The state of this flag can be seen on the pins IGP0 or IGP1. The pin mapping is defined by subaddresses 84H and 85H (see Section 9.5).

## 8.5.3 TEXT FIFO

In the text FIFO the data of the terminal VBI-data slicer are collected before the transmission over the I-port is requested (normally before the video window starts). It is partitioned into two FIFO sections. A complete line is filled into the FIFO, before a data transfer is requested. So normally, one line text data is ready for transfer, while the next text line is collected. So sliced text data are delivered as a block of qualified data, without any qualification gaps in the byte stream of the I-port.

The decoded VBI-data is collected in the dedicated VBI-data FIFO. After capture of a line is completed, the FIFO can be streamed through the image port, preceded by a header, telling line number and standard.

The VBI-data period can be signalled via the sliced data flag on pin IGP0 or IGP1. The decoded VBI-data is lead by the ITU ancillary data header (DID[5:0]5DH[5:0] at value <3EH) or by SAV/EAV codes selectable by DID[5:0] at value 3EH or 3FH. IGP0 or IGP1 is set, if the first byte of the ANC header is valid on the I-port bus. It is reset, if an SAV occurs. So it may frame multiple lines of text data output, in case video processing starts with a distance of several video lines to the region of text data. Valid sliced data from the text FIFO are available on the I-port as long as the IGP0 or IGP1 flag is set and the data qualifier is active on pin IDQ.

The decoded VBI-data are presented in two different data formats, controlled by bit RECODE.

- RECODE = 1: values 00H and FFH will be recoded to even parity values 03H and FCH
- RECODE = 0: values 00H and FFH may occur in the data stream as detected.

## 8.5.4 VIDEO AND TEXT ARBITRATION (SUBADDRESS 86H)

Sliced text data and scaled video data are transferred over the same bus, the I-port. The mixed transfer is controlled by an arbitration circuitry. If the video data are transferred without any interrupt and the video FIFO does not need to buffer any output pixel, the text data are inserted after an end of a scaled video line, normally during the blanking interval of the video.

# PAL/NTSC/SECAM video decoder with adaptive PAL/NTSC comb filter, VBI-data slicer and high performance scaler

SAA7114H

## 8.5.5 DATA STREAM CODING AND REFERENCE SIGNAL GENERATION (SUBADDRESSES 84H, 85H AND 93H)

As H and V reference signals are logic 1, active gate signals are generated, which are framing the transfer of the valid output data. Alternative to the gates, H and V trigger pulses are generated on the rising edges of the gates.

Due to the dynamic FIFO behaviour of the complete scaler path, the output signal timing has no fixed timing relation to the real-time input video stream. So fixed propagation delays, in terms of clock cycles, related to the analog input can not be defined.

The data stream is accompanied by a data qualifier. Additionally invalid data cycles are marked with code 00H.

If ITU 656 like codes are not wanted, these codes can be suppressed in the output stream.

As further option, it is possible to provide the scaler with a gating external signal on pin ITRDY. So it is possible to hold the data output for a certain time and to get valid output data in bursts of a guaranteed length.

The sketched reference signals and events can be mapped to the I-port output pins IDQ, IGPH, IGPV, IGP0 and IGP1. For flexible use the polarities of all the outputs can be modified. The default polarity for the qualifier and reference signals is logic 1 (= active).

Table 18 shows the relevant and supported SAV and EAV coding.

**Table 18** SAV/EAV codes on I-port

EVENT DESCRIPTION	SAV/EAV CODES ON I-PORT <sup>(1)</sup> (HEX)				COMMENT
	MSB <sup>(2)</sup> OF SAV/EAV BYTE = 0		MSB <sup>(2)</sup> OF SAV/EAV BYTE = 1		
	FIELD ID = 0	FIELD ID = 1	FIELD ID = 0	FIELD ID = 1	
Next pixel is FIRST pixel of any active line	0E	49	80	C7	HREF = active; VREF = active
Previous pixel was LAST pixel of any active line, but not the last	13	54	9D	DA	HREF = inactive; VREF = active
Next pixel is FIRST pixel of any V-blanking line	25	62	AB	EC	HREF = active; VREF = inactive
Previous pixel was LAST pixel of the last active line or of any V-blanking line	38	7F	B6	F1	HREF = inactive; VREF = inactive
No valid data, don't capture and don't increment pointer	00				IDQ pin inactive

### Notes

- The leading byte sequence is: FFH-00H-00H.
- The MSB of the SAV/EAV code byte is controlled by:
  - Scaler output data: task A  $\Rightarrow$  MSB =  $\overline{\text{CONLH}}$  (90H[7]); task B  $\Rightarrow$  MSB =  $\overline{\text{CONLH}}$  (C0H[7]).
  - VBI-data slicer output data: DID[5:0]5DH[5:0] = 3EH  $\Rightarrow$  MSB = 1; DID[5:0]5DH[5:0] = 3FH  $\Rightarrow$  MSB = 0.

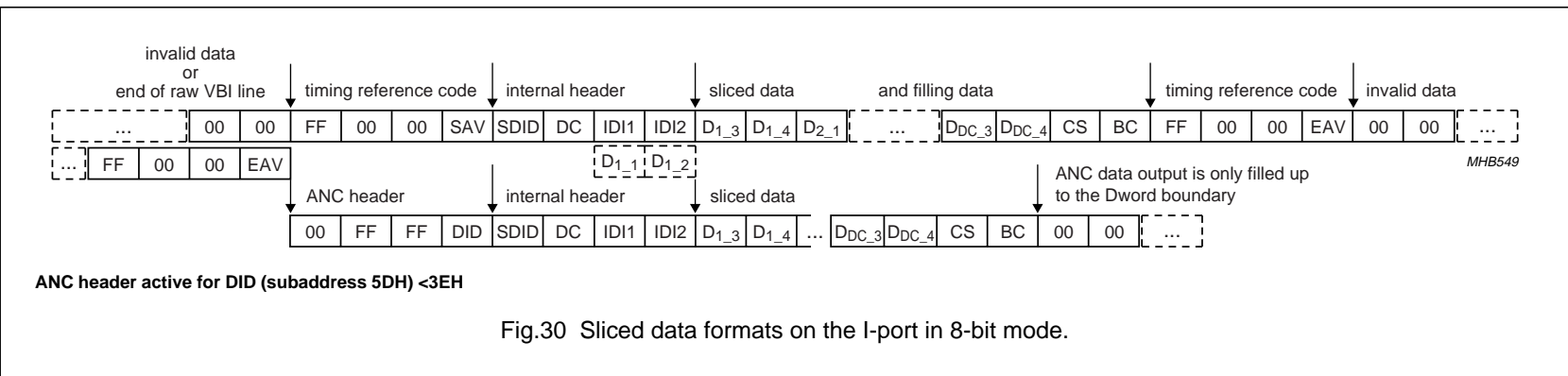


Fig.30 Sliced data formats on the I-port in 8-bit mode.

Table 19 Explanation to Fig.30

NAME	EXPLANATION
SAV	start of active data; see Table 20
SDID	sliced data identification: NEP <sup>(1)</sup> , EP <sup>(2)</sup> , SDID5 to SDID0, freely programmable via I <sup>2</sup> C-bus subaddress 5EH, D5 to D0, e. g. to be used as source identifier
DC	Dword count: NEP <sup>(1)</sup> , EP <sup>(2)</sup> , DC5 to DC0. DC describes the number of succeeding 32-bit words: <ul style="list-style-type: none"> <li>• For SAV/EAV mode DC is fixed to 11 Dwords (byte value 4BH)</li> <li>• For ANC mode it is: <math>DC = \frac{1}{4}(C + n)</math>, where C = 2 (the two data identification bytes IDI1 and IDI2) and n = number of decoded bytes according to the chosen text standard.</li> </ul> Note that the number of valid bytes inside the stream can be seen in the BC byte.
IDI1	internal data identification 1: OP <sup>(3)</sup> , FID (field 1 = 0, field 2 = 1), LineNumber8 to LineNumber3 = Dword 1 byte 1; see Table 20
IDI2	internal data identification 2: OP <sup>(3)</sup> , LineNumber2 to LineNumber0, DataType3 to DataType0 = Dword 1 byte 2; see Table 20
D <sub>n_m</sub>	Dword number <b>n</b> , byte number <b>m</b>
D <sub>DC_4</sub>	last Dword byte 4, note: for SAV/EAV framing DC is fixed to 0BH, missing data bytes are filled up; the fill value is A0H
CS	the check sum byte, the checksum is accumulated from the SAV (respectively DID) byte to the D <sub>DC_4</sub> byte
BC	number of valid sliced bytes counted from the IDI1 byte
EAV	end of active data; see Table 20

**Notes**

1. Inverted EP (bit 7); for EP see note 2.
2. Even parity (bit 6) of bits 5 to 0.
3. Odd parity (bit 7) of bits 6 to 0.



PAL/NTSC/SECAM video decoder with adaptive PAL/NTSC  
comb filter, VBI-data slicer and high performance scaler

SAA7114H

**Table 20** Bytes stream of the data slicer

NICK NAME	COMMENT	D7	D6	D5	D4	D3	D2	D1	D0
DID, SAV, EAV	subaddress 5DH = 00H	NEP <sup>(1)</sup>	EP <sup>(2)</sup>	0	1	0	FID <sup>(3)</sup>	I1 <sup>(4)</sup>	I0 <sup>(4)</sup>
	subaddress 5DH; D5 = 1	NEP	EP	0	D4[5DH]	D3[5DH]	D2[5DH]	D1[5DH]	D0[5DH]
	subaddress 5DH D5 = 3EH; note 5	1	FID <sup>(3)</sup>	V <sup>(6)</sup>	H <sup>(7)</sup>	P3	P2	P1	P0
	subaddress 5DH D5 = 3FH; note 5	0	FID <sup>(3)</sup>	V <sup>(6)</sup>	H <sup>(7)</sup>	P3	P2	P1	P0
SDID	programmable via subaddress 5EH	NEP	EP	D5[5EH]	D4[5EH]	D3[5EH]	D2[5EH]	D1[5EH]	D0[5EH]
DC <sup>(8)</sup>		NEP	EP <sup>(2)</sup>	DC5	DC4	DC3	DC2	DC1	DC0
IDI1		OP <sup>(9)</sup>	FID <sup>(3)</sup>	LN8 <sup>(10)</sup>	LN7 <sup>(10)</sup>	LN6 <sup>(10)</sup>	LN5 <sup>(10)</sup>	LN4 <sup>(10)</sup>	LN3 <sup>(10)</sup>
IDI2		OP	LN2 <sup>(10)</sup>	LN1 <sup>(10)</sup>	LN0 <sup>(10)</sup>	DT3 <sup>(11)</sup>	DT2 <sup>(11)</sup>	DT1 <sup>(11)</sup>	DT0 <sup>(11)</sup>
CS	check sum byte	$\overline{\text{CS6}}$	CS6	CS5	CS4	CS3	CS2	CS1	CS0
BC	valid byte count	OP	0	CNT5	CNT4	CNT3	CNT2	CNT1	CNT0

**Notes**

1. NEP = inverted EP (see note 2).
2. EP = Even Parity of bits 5 to 0.
3. FID = 0: field 1; FID = 1: field 2.
4. I1 = 0 and I0 = 0: before line 1; I1 = 0 and I0 = 1: lines 1 to 23; I1 = 1 and I0 = 0: after line 23; I1 = 1 and I0 = 1: line 24 to end of field.
5. Subaddress 5DH at 3EH and 3FH are used for ITU 656 like SAV/EAV header generation; recommended value.
6. V = 0: active video; V = 1: blanking.
7. H = 0: start of line; H = 1: end of line.
8. DC = Data Count in Dwords according to the data type.
9. OP = Odd Parity of bits 6 to 0.
10. LN = Line Number.
11. DT = Data Type according to table.

# PAL/NTSC/SECAM video decoder with adaptive PAL/NTSC comb filter, VBI-data slicer and high performance scaler

SAA7114H

## 8.6 Audio clock generation (subaddresses 30H to 3FH)

SAA7114H incorporates generation of a field locked audio clock, as an auxiliary function for video capture. An audio sample clock, that is locked to the field frequency, makes sure that there is always the same predefined number of audio samples associated with a field, or a set of fields. That ensures synchronous playback of audio and video after digital recording (e.g. capture to hard disk), MPEG or other compression, or non-linear editing.

### 8.6.1 MASTER AUDIO CLOCK

The audio clock is synthesized from the same crystal frequency as the line-locked video clock is generated. The master audio clock is defined by the parameters:

- Audio master Clocks Per Field, ACPF[17:0]32H[1:0]31H[7:0]30H[7:0] according to the equation:  $ACPF[17:0] = \text{round}\left(\frac{\text{audio frequency}}{\text{field frequency}}\right)$

- Audio master Clocks Nominal Increment, ACNI[21:0]36H[5:0]35H[7:0]34H[7:0] according to the equation:  $ACNI[21:0] = \text{round}\left(\frac{\text{audio frequency}}{\text{crystal frequency}} \times 2^{23}\right)$

See Table 21 for examples.

**Remark:** For standard applications the synthesized audio clock AMCLK can be used directly as master clock and as input clock for port AMXCLK (short cut) to generate ASCLK and ALRCLK. For high-end applications it is recommended to use an external analog PLL circuit to enhance the performance of the generated audio clock.

**Table 21** Programming examples for audio master clock generation

XTALO (MHz)	FIELD (Hz)	ACPF		ACNI	
		DECIMAL	HEX	DECIMAL	HEX
<b>AMCLK = 256 × 48 kHz (12.288 MHz)</b>					
32.11	50	245760	3C000	3210190	30FBCE
	59.94	205005	320CD	3210190	30FBCE
24.576	50	–	–	–	–
	59.94	–	–	–	–
<b>AMCLK = 256 × 44.1 kHz (11.2896 MHz)</b>					
32.11	50	225792	37200	2949362	2D00F2
	59.94	188348	2DFBC	2949362	2D00F2
24.576	50	225792	37200	3853517	3ACCCD
	59.94	188348	2DFBC	3853517	3ACCCD
<b>AMCLK = 256 × 32 kHz (8.192 MHz)</b>					
32.11	50	163840	28000	2140127	20A7DF
	59.94	136670	215DE	2140127	20A7DF
24.576	50	163840	28000	2796203	2AAAAB
	59.94	136670	215DE	2796203	2AAAAB

**PAL/NTSC/SECAM video decoder with adaptive PAL/NTSC comb filter, VBI-data slicer and high performance scaler**

**SAA7114H**

**8.6.2 SIGNALS ASCLK AND ALRCLK**

Two binary divided signals ASCLK and ALRCLK are provided for slower serial digital audio signal transmission and for channel-select. The frequencies of these signals are defined by the parameters:

- SDIV[5:0]38H[5:0] according to the equation:

$$f_{ASCLK} = \frac{f_{AMXCLK}}{(SDIV + 1) \times 2} \Rightarrow SDIV[5:0] = \frac{f_{AMXCLK}}{2f_{ASCLK}} - 1$$

- LRDIV[5:0]39H[5:0] according to the equation:

$$f_{ALRCLK} = \frac{f_{ASCLK}}{LRDIV \times 2} \Rightarrow LRDIV[5:0] = \frac{f_{ASCLK}}{2f_{ALRCLK}}$$

See Table 22 for examples.

**Table 22** Programming examples for ASCLK/ALRCLK clock generation

AMXCLK (MHz)	ASCLK (kHz)	SDIV		ALRCLK (kHz)	LRDIV	
		DECIMAL	HEX		DECIMAL	HEX
12.288	1536	3	03	48	16	10
	768	7	07		8	08
11.2896	1411.2	3	03	44.1	16	10
	2822.4	1	01		32	10
8.192	1024	3	03	32	16	10
	2048	1	01		32	10

**8.6.3 OTHER CONTROL SIGNALS**

Further control signals are available to define reference clock edges and vertical references:

APLL[3AH[3]]; Audio PLL mode:

0: PLL closed

1: PLL open

AMVR[3AH[2]]; Audio Master clock Vertical Reference:

0: internal V

1: external V

LRPH[3AH[1]]; ALRCLK Phase

0: invert ASCLK, ALRCLK edges triggered by falling edge of ASCLK

1: don't invert ASCLK, ALRCLK edges triggered by rising edge of ASCLK

SCPH[3AH[0]]; ASCLK Phase:

0: invert AMXCLK, ASCLK edges triggered by falling edge of AMXCLK

1: don't invert AMXCLK, ASCLK edges triggered by rising edge of AMXCLK

# PAL/NTSC/SECAM video decoder with adaptive PAL/NTSC comb filter, VBI-data slicer and high performance scaler

SAA7114H

## 9 INPUT/OUTPUT INTERFACES AND PORTS

The SAA7114H has 5 different I/O interfaces:

- Analog video input interface, for analog CVBS and/or Y and C input signals
- Audio clock port
- Digital real-time signal port (RT port)
- Digital video expansion port (X-port), for unscaled digital video input and output
- Digital image port (I-port) for scaled video data output and programming
- Digital host port (H-port) for extension of the image port or expansion port from 8 to 16-bit.

### 9.1 Analog terminals

The SAA7114H has 6 analog inputs AI21 to AI24, AI11 and AI12 for composite video CVBS or S-video Y/C signal pairs. Additionally, there are two differential reference inputs, which must be connected to ground via a capacitor equivalent to the decoupling capacitors at the 6 inputs. There are no peripheral components required other than these decoupling capacitors and 18  $\Omega$ /56  $\Omega$  termination resistors, one set per connected input signal (see also application example in Fig.40). Two anti-alias filters are integrated, and self adjusting via the clock frequency.

Clamp and gain control for the two ADC's are also integrated. An analog video output pin AOUT is provided for testing purposes.

**Table 23** Analog pin description

SYMBOL	PIN	I/O	DESCRIPTION	BIT
AI24 to AI21	10, 12, 14 and 16	I	analog video signal inputs, e.g. 2 CVBS signals and two Y/C pairs can be connected simultaneously	MODE3 to MODE0
AI12 and AI11	18 and 20			
AOUT	22	O	analog video output, for test purposes	AOSL1 and AOSL0
AI1D and AI2D	19 and 13	I	analog reference pins for differential ADC operation	–

### 9.2 Audio clock signals

The SAA7114H also synchronizes the audio clock and sampling rate to the video frame rate, via a very slow PLL. This ensures that the multimedia capture and compression processes always gather the same predefined number of samples per video frame.

An audio master clock AMCLK and two divided clocks ASCLK and ALRCLK are generated;

- ASCLK: can be used as audio serial clock
- ALRCLK: audio left/right channel clock.

The ratios are programmable, see also Section 8.6.

**Table 24** Audio clock pin description

SYMBOL	PIN	I/O	DESCRIPTION	BIT
AMCLK	37	O	audio master clock output	ACPF[17:0]32H[1:0]31H[7:0]30H[7:0] and ACNI[21:0]36H[5:0]35H[7:0]34H[7:0]
AMXCLK	41	I	external audio master clock input for the clock division circuit, can be directly connected to output AMCLK for standard applications	–
ASCLK	39	O	serial audio clock output, can be synchronized to rising or falling edge of AMXCLK	SDIV[5:0]38H[5:0] and SCPH[3AH[0]]
ALRCLK	40	O	audio channel (left/right) clock output, can be synchronized to rising or falling edge of ASCLK	LRDIV[5:0]39H[5:0] and LRPH[3AH[1]]

## PAL/NTSC/SECAM video decoder with adaptive PAL/NTSC comb filter, VBI-data slicer and high performance scaler

SAA7114H

### 9.3 Clock and real-time synchronization signals

For the generation of the line-locked video (pixel) clock LLC, and of the frame locked audio serial bit clock, a crystal accurate frequency reference is required. An oscillator is built in, for fundamental or third harmonic crystals. The supported crystal frequencies are 32.11 or 24.576 MHz (defined during reset by strapping pin ALRCLK).

Alternatively pin XTALI can be driven from an external single ended oscillator.

The crystal oscillation can be propagated as clock to other ICs in the system via pin XOUT.

The Line-Locked Clock (LLC) is the double pixel clock of nominal 27 MHz. It is locked to the selected video input, generating baseband video pixels according to "ITU recommendation 601". In order to support interfacing circuitries, a direct pixel clock LLC2 is also provided.

The pins for line and field timing reference signals are RTCO, RTS1 and RTS0. Various real-time status information can be selected for the RTS pins. The signals are always available (output) and reflect the synchronization operation of the decoder part in the SAA7114H. The function of the RTS1 and RTS0 pins can be defined by bits RTSE1[3:0]12H[7:4] and RTSE0[3:0]12H[3:0].

**Table 25** Clock and real-time synchronization signals

SYMBOL	PIN	I/O	DESCRIPTION	BIT
<b>Crystal oscillator</b>				
XTALI	7	I	input for crystal oscillator, or reference clock	–
XTALO	6	O	output of crystal oscillator	–
XOUT	4	O	reference (crystal) clock output drive (optional)	XTOUTE[14H[3]]
<b>Real-time signals (RT port)</b>				
LLC	28	O	line-locked clock, nominal 27 MHz, double pixel clock locked to the selected video input signal	–
LLC2	29	O	line-locked pixel clock, nominal 13.5 MHz	–
RTCO	36	O	real-time control output, transfers real-time status information supporting RTC level 3.1 (see external document "RTC Functional Description", available on request)	–
RTS0	34	O	real-time status information line 0, can be programmed to carry various real-time informations (see Table 55)	RTSE0[3:0]12H[3:0]
RTS1	35	O	real-time status information line 1, can be programmed to carry various real-time informations (see Table 56)	RTSE1[3:0]12H[7:4]

# PAL/NTSC/SECAM video decoder with adaptive PAL/NTSC comb filter, VBI-data slicer and high performance scaler

SAA7114H

## 9.4 Video expansion port (X-port)

The expansion port is intended for transporting video streams image data from other digital video circuits like MPEG encoder/decoder and video phone codec, to the image port (I-port).

The expansion port consists of two groups of signals/pins:

- 8-bit data, I/O, regularly components video YUV 4 : 2 : 2, i.e. C<sub>B</sub>-Y-C<sub>R</sub>-Y, byte serial, exceptionally raw video samples (e.g. ADC test). In input mode the data bus can be extended to 16-bit by the pins HPD7 to HPD0.
- Clock, synchronization and auxiliary signals, accompanying the data stream, I/O.

As output, these are direct copies of the decoder signals.

The data transfers through the expansion port represent a single D1 port, with half duplex mode. The SAV and EAV codes may be inserted optionally for data input (controlled by bit XCODE[92H[3]]). The input/output direction is switched for complete fields, only.

**Table 26** Signals dedicated to the expansion port

SYMBOL	PIN	I/O	DESCRIPTION	BIT
XPD7 to XPD0	81, 82, 84 to 87, 89 and 90	I/O	X-port data: in output mode controlled by decoder section, data format see Table 27; in input mode YUV 4 : 2 : 2 serial input data or luminance part of a 16-bit YUV 4 : 2 : 2 input	OFTS[2:0]13H[2:0]; 91H[7:0] and C1H[7:0]
XCLK	94	I/O	clock at expansion port: if output, then copy of LLC; as input normally a double pixel clock of up to 32 MHz or a gated clock (clock gated with a qualifier)	XCKS[92H[0]]
XDQ	95	I/O	data valid flag of the expansion port input (qualifier): if output, then decoder (HREF and VGATE) gate (see Fig.23)	–
XRDY	96	O	data request flag = ready to receive, to work with optional buffer in external device, to prevent internal buffer overflow; second function: input related task flag A/B	XRQT[83H[2]]
XRH	92	I/O	horizontal reference signal for the X-port: as output: HREF or HS from the decoder (see Fig.23); as input: a reference edge for horizontal input timing and a polarity for input field ID detection can be defined	XRHS[13H[6]], XFDH[92H[6]] and XDH[92H[2]]
XRV	91	I/O	vertical reference signal for the X-port: as output: V123 or field ID from the decoder, see Figs 21 and 22; as input: a reference edge for vertical input timing and for input field ID detection can be defined	XRVS[1:0]13H[5:4], XFDV[92H[7]] and XDV[1:0]92H[5:4]
XTRI	80	I	port control: switches X-port input 3-state	XPE[1:0]83H[1:0]

**PAL/NTSC/SECAM video decoder with adaptive PAL/NTSC comb filter, VBI-data slicer and high performance scaler**

**SAA7114H**

9.4.1 X-PORT CONFIGURED AS OUTPUT

If data output is enabled at the expansion port, then the data stream from the decoder is presented. The data format of the 8-bit data bus is dependent on the chosen data type, selectable by the line control registers LCR2 to LCR24; see Table 3. In contrast to the image port, the sliced data format is not available on the expansion port. Instead, raw CVBS samples are always transferred if any sliced data type is selected.

Following are some details of data types on the expansion port:

- **Active video** (data type 15) contains component YUV 4 : 2 : 2 signal, 720 active pixels per line. The amplitude and offsets are programmable via DBR17 to DBR10, DCON7 to DCON0, DSAT7 to DSAT0, OFFU1, OFFU0, OFFV1 and OFFV0. For nominal levels see Fig.17.
- **Test line** (data type 6) is similar to active video format, with some constraints within the data processing:
  - adaptive chrominance comb filter, vertical filter (chrominance comb filter for NTSC standards, PAL phase error correction) within the chrominance processing are disabled
  - adaptive luminance comb filter, peaking and chrominance trap are bypassed within the luminance processing.

This data type is defined for future enhancements. It could be activated for lines containing standard test signals within the vertical blanking period. Currently the most sources do not contain test lines. For nominal levels see Fig.17.
- **Raw samples** (data types 0 to 5 and 7 to 14): UV-samples are similar to data type 6, but CVBS samples are transferred instead of processed luminance samples within the Y time slots.

The amplitude and offset of the CVBS signal is programmable via RAWG7 to RAWG0 and RAWO7 to RAWO0; see Chapter 15 “I<sup>2</sup>C-bus description”, Tables 62 and 63. For nominal levels see Fig.18.

The relation of LCR programming to line numbers is described in Section 8.2, see Tables 4 to 7.

The data type selections by LCR are overruled by setting OFTS2 (subaddress 13H bit 2) = 1. This setting is mainly intended for device production test. The VPO-bus carries the upper or lower 8 bits of the two ADCs dependent on OFTS[1:0]13H[1:0] settings; see Table 57. The output configuration is done via MODE[3:0]02H[3:0] settings; see Table 39. If a YC mode is selected, the expansion port carries the multiplexed output signals of both ADCs, in CVBS mode the output of only one ADC. No timing reference codes are generated in this mode.

**Remark:** The LSBs (bit 0) of the ADCs are also available on pin RTS0. For details see Table 55.

The SAV/EAV timing reference codes define start and end of valid data regions. During horizontal blanking period between EAV and SAV the ITU-blanking code sequence ‘- 80 - 10 - 80 - 10 -...’ is transmitted.

The position of the F-bit is constant according to ITU 656 (see Tables 29 and 30).

The V-bit can be generated in two different ways (see Tables 29 and 30) controlled via OFTS1 and OFTS0, see Table 57.

F and V bits change synchronously with the EAV code.

**Table 27** Data format on the expansion port

BLANKING PERIOD			TIMING REFERENCE CODE (HEX) <sup>(1)</sup>				720 PIXELS YUV 4 : 2 : 2 DATA <sup>(2)</sup>								TIMING REFERENCE CODE (HEX) <sup>(1)</sup>			BLANKING PERIOD				
...	80	10	FF	00	00	SAV	C <sub>B0</sub>	Y <sub>0</sub>	C <sub>R0</sub>	Y <sub>1</sub>	C <sub>B2</sub>	Y <sub>2</sub>	...	C <sub>R18</sub>	Y <sub>19</sub>	FF	00	00	EAV	80	10	...

**Notes**

1. The generation of the timing reference codes can be suppressed by setting OFTS[2:0] to ‘010’, see Table 57. In this event the code sequence is replaced by the standard ‘- 80 - 10 -’ blanking values.
2. If raw samples or sliced data are selected by the line control registers (LCR2 to LCR24), the Y-samples are replaced by CVBS samples.

PAL/NTSC/SECAM video decoder with adaptive PAL/NTSC  
comb filter, VBI-data slicer and high performance scaler

SAA7114H

**Table 28** SAV/EAV format on expansion port XPD7 to XPD0

BIT 7	BIT 6 (F)	BIT 5 (V)	BIT 4 (H)	BIT 3 (P3)	BIT 2 (P2)	BIT 1 (P1)	BIT 0 (P0)
1	field bit 1st field: F = 0 2nd field: F = 1	vertical blanking bit VBI: V = 1 active video: V = 0	format H = 0 in SAV format H = 1 in EAV format	reserved; evaluation not recommended (protection bits according to ITU 656)			
for vertical timing see Tables 29 and 30							

**Table 29** 525 lines/60 Hz vertical timing

LINE NUMBER	F (ITU 656)	V	
		OFTS[2:0] = 000 (ITU 656)	OFTS[2:0] = 001
1 to 3	1	1	according to selected VGATE position type via VSTA and VSTO (subaddresses 15H to 17H); see Tables 59 to 61
4 to 19	0	1	
20	0	0	
21	0	0	
22 to 261	0	0	
262	0	0	
263	0	0	
264 and 265	0	1	
266 to 282	1	1	
283	1	0	
284	1	0	
285 to 524	1	0	
525	1	0	

**Table 30** 625 lines/50 Hz vertical timing

LINE NUMBER	F (ITU 656)	V	
		OFTS[2:0] = 000 (ITU 656)	OFTS[1:0] = 10
1 to 22	0	1	according to selected VGATE position type via VSTA and VSTO (subaddresses 15H to 17H); see Tables 59 to 61
23	0	0	
24 to 309	0	0	
310	0	0	
311 and 312	0	1	
313 to 335	1	1	
336	1	0	
337 to 622	1	0	
623	1	0	
624 and 625	1	1	



## PAL/NTSC/SECAM video decoder with adaptive PAL/NTSC comb filter, VBI-data slicer and high performance scaler

SAA7114H

### 9.4.2 X-PORT CONFIGURED AS INPUT

If data input mode is selected at the expansion port, then the scaler can choose its input data stream from the on-chip video decoder, or from expansion port (controlled by bit SCSRC[1:0]91H[5:4]). Byte serial YUV 4 : 2 : 2, or subsets for other sampling schemes, or raw samples from an external ADC may be input (see also bits FSC[2:0]91H[2:0]). The input stream must be accompanied by an external clock XCLK, qualifier XDQ and reference signals XRH and XRV. Instead of the reference signal, embedded SAV and EAV codes according to ITU 656 are also accepted. The protection bits are not evaluated.

XRH and XRV carry the horizontal and vertical synchronization signals for the digital video stream through the expansion port. The field ID of the input video stream is carried in the phase (edge) of XRV and state of XRH, or directly as FS (frame sync, odd/even signal) on the XRV pin (controlled by XFDV[92H[7]], XFDH[92H[6]] and XDV1[92H[5]]).

The trigger events on XRH (rising/falling edge) and XRV (rising/falling/both edges) for the scalers acquisition window are defined by XDV[1:0]92H[5:4] and XDH[92H[2]]. Also the signal polarity of the qualifier can be defined (bit XDQ[92H[1]]). Alternatively to a qualifier, the input clock can be applied to a gated clock (means clock gated with a data qualifier, controlled by bit XCKS[92H[0]]). In this event, all input data will be qualified.

### 9.5 Image port (I-port)

The image port transfers data from the scaler as well as from the VBI-data slicer, if so selected (maximum 33 MHz). The reference clock is available at the ICLK pin, as output, or as input (maximum 33 MHz). As output, ICLK is derived from the locked decoder or expansion port input clock. The data stream from the scaler output is normally discontinuous. Therefore valid data during a clock cycle is accompanied by a data qualifying (data valid) flag on pin IDQ. For pin constrained applications the IDQ pin can be programmed to function as gated clock output (bit ICKS2[80H[2]]).

The data formats at the image port are defined in Dwords of 32 bits (4 bytes), like the related FIFO structures. But the physical data stream at the image port is only 16-bit or 8-bit wide; in 16-bit mode data pins HPD7 to HPD0 are used for chrominance data. The four bytes of the Dwords are serialized in words or bytes.

Available formats are:

- YUV 4 : 2 : 2,
- YUV 4 : 1 : 1,
- Raw samples
- Decoded VBI-data.

For handshake with the receiving VGA controller, or other memory or bus interface circuitry, F, H and V reference signals and programmable FIFO flags are provided. The information will be provided on pins IGP0, IGP1, IGPH and IGPV. The functionality on this pins is controlled via subaddresses 84H and 85H.

VBI-data is collected over an entire line in its own FIFO, and transferred as an uninterrupted block of bytes. Decoded VBI-data can be signed by the VBI flag on pin IGP0/1.

As scaled video data and decoded VBI-data may come from different and asynchronous sources, an arbitration scheme is needed. Normally VBI-data slicer has priority.

The image port consists of the pins and/or signals, as listed in Table 31.

For pin constrained applications, or interfaces, the relevant timing and data reference signals can also get encoded into the data stream. Therefore the corresponding pins do not need to get connected. The minimum image port configuration requires 9 pins only, i.e. 8 pins for data including codes, and 1 pin for clock or gated clock. The inserted codes are defined in close relation to the ITU/CCIR-656 (D1) recommendation, where possible.

The following deviations from "ITU 656 recommendation" are implemented at SAA7114H's image port interface:

- SAV and EAV codes are only present in those lines, where data is to be transferred, i.e. active video lines, or VBI-raw samples, no codes for empty lines
- There may be more or less than 720 pixels between SAV and EAV
- Data content and number of clock cycles during horizontal and vertical blanking is undefined, and may be not constant
- Data stream may be interleaved with not-valid data codes, 00H, but SAV and EAV 4-byte codes are not interleaved with not-valid data codes
- There may be an irregular pattern of not-valid data, or IDQ, and as a result, 'C<sub>B</sub> - Y - C<sub>R</sub> - Y - ' is not in a fixed phase to a regular clock divider

# PAL/NTSC/SECAM video decoder with adaptive PAL/NTSC comb filter, VBI-data slicer and high performance scaler

SAA7114H

- VBI-raw sample streams are enveloped with SAV and EAV, like normal video
- Decoded VBI-data is transported as Ancillary (ANC) data, two modes:
  - direct decoded VBI-data bytes (8-bit) are directly placed in the ANC data field, 00H and FFH codes may appear in data block (violation to CCIR-656)
  - recoded VBI-data bytes (8-bit) directly placed in ANC data field, 00H and FFH codes will be recoded to even parity codes 03H and FCH to suppress invalid CCIR-656 codes.

There are no empty cycles in the ancillary code and its data field. The data codes 00H and FFH are suppressed (changed to 01H or FEH respectively) in active video stream, as well as in VBI-raw sample stream (VBI pass-through). Optionally the number range can be limited further.

**Table 31** Signals dedicated to the image port

SYMBOL	PIN	I/O	DESCRIPTION	BIT
IPD7 to IPD0	54 to 57 and 59 to 62	I/O	I-port data	ICODE[93H[7]], ISWP[1:0]85H[7:6] and IPE[1:0]87[1:0]
ICLK	45	I/O	continuous reference clock at image port, can be input or output, as output decoder LLC or XCLK from X-port	ICKS[1:0]80H[1:0] and IPE[1:0]87H[1:0]
IDQ	46	O	data valid flag at image port, qualifier, with programmable polarity; secondary function: gated clock	ICKS2[80H[2]], IDQP[85H[0]] and IPE[1:0]87H[1:0]
IGPH	53	O	horizontal reference output signal, copy of the H-gate signal of the scaler, with programmable polarity; alternative functions: HRESET pulse	IDH[1:0]84H[1:0], IRHP[85H[1]] and IPE[1:0]87H[1:0]
IGPV	52	O	vertical reference output signal, copy of the V-gate signal of the scaler, with programmable polarity; alternative functions: VRESET pulse	IDV[1:0]84H[3:2], IRVP[85H[2]] and IPE[1:0]87H[1:0]
IGP1	49	O	general purpose output signal for I-port	IDG12[86H[4]], IDG1[1:0]84H[5:4], IG1P[85H[3]] and IPE[1:0]87H[1:0]
IGP0	48	O	general purpose output signal for I-port	IDG02[86H[5]], IDG0[1:0]84H[7:6], IG0P[85H[4]] and IPE[1:0]87H[1:0]
ITRDY	42	I	target ready input signals	–
ITRI	47	I	port control, switches I-port into 3-state	IPE[1:0]87H[1:0]

PAL/NTSC/SECAM video decoder with adaptive PAL/NTSC comb filter, VBI-data slicer and high performance scaler

SAA7114H

9.6 Host port for 16-bit extension of video data I/O (H-port)

The H-port pins HPD can be used for extension of the data I/O paths to 16-bit.

Functional priority has the I-port. If I8\_16[93H[6]] is set to logic 1 the output drivers of the H-port are enabled dependent on the I-port enable control. For I8\_16 = 0, the HPD output is disabled.

Table 32 Signals dedicated to the host port

SYMBOL	PIN	I/O	DESCRIPTION	BIT
HPD7 to HPD0	64 to 67 and 69 to 72	I/O	16-bit extension for digital I/O (chrominance component)	IPE[1:0]87H[1:0], ITRI[8FH[6]] and I8_16[93H[6]]

9.7 Basic input and output timing diagrams I-port and X-port

9.7.1 I-PORT OUTPUT TIMING

The following diagrams are sketching the output timing via the I-port. IGPH and IGPV are sketched as logic 1 active gate signals. If reference pulses are programmed, these pulses are generated on the rising edge of the logic 1 active gates. Valid data is accompanied by the output data qualifier on pin IDQ. In addition invalid cycles are marked with output code 00H.

The IDQ output pin may be defined to be a gated clock output signal (ICLK AND internal IDQ).

9.7.2 X-PORT INPUT TIMING

At the X-port the input timing requirements are the same as sketched for the I-port output. But different to this:

- It is not necessary to mark invalid cycles with a 00H code
- No constraints on the input qualifier (can be a random pattern)
- XCLK may be a gated clock (XCLK AND external XDQ).

**Remark:** All timings illustrated in Figs 31 to 37 are given for an uninterrupted output stream (no handshake with the external hardware).

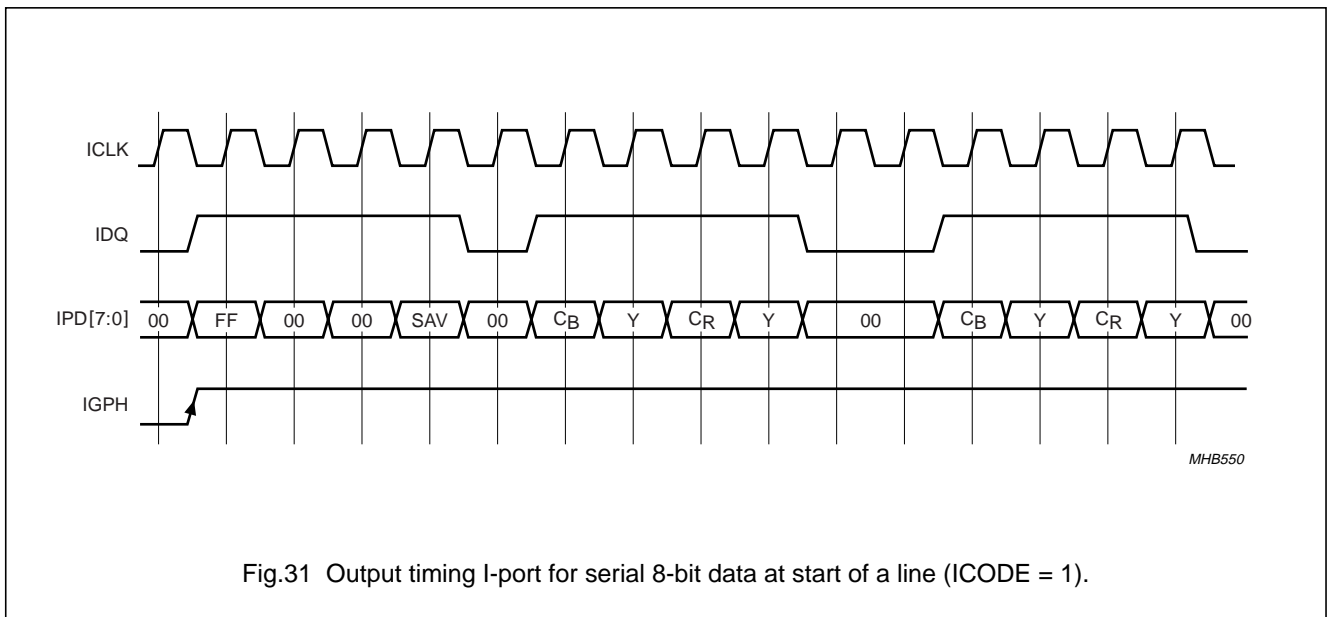
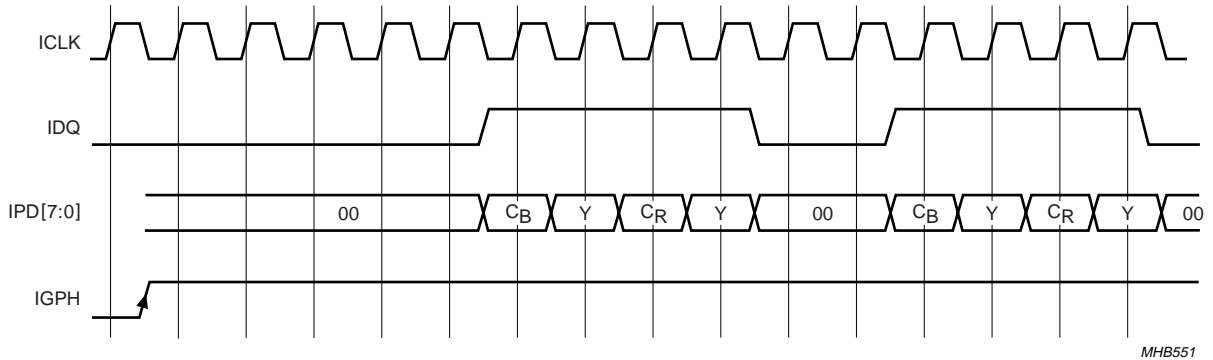


Fig.31 Output timing I-port for serial 8-bit data at start of a line (ICODE = 1).

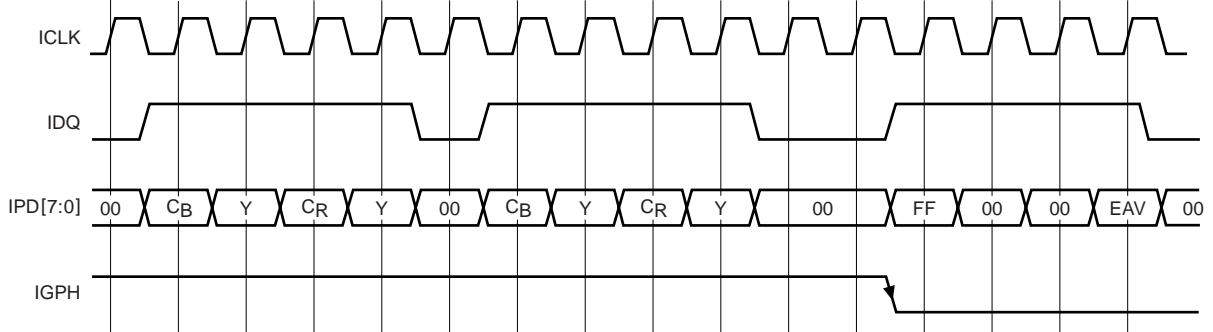
PAL/NTSC/SECAM video decoder with adaptive PAL/NTSC comb filter, VBI-data slicer and high performance scaler

SAA7114H



MHB551

Fig.32 Output timing I-port for serial 8-bit data at start of a line (ICODE = 0).

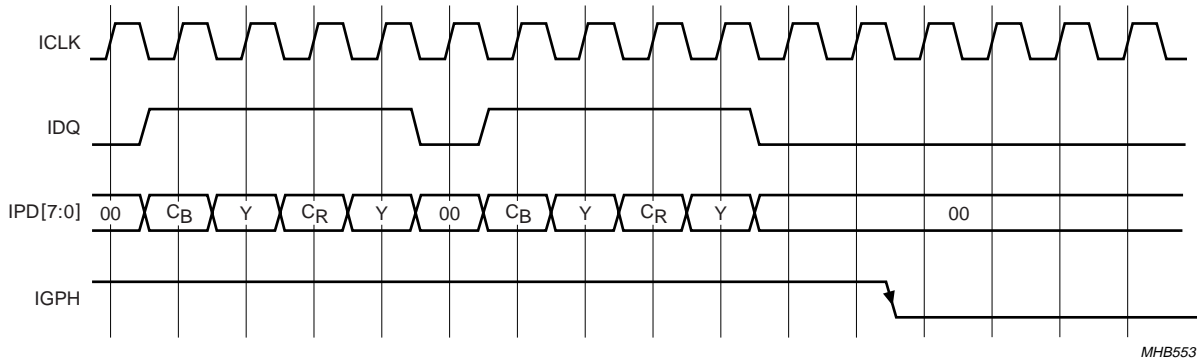


MHB552

Fig.33 Output timing I-port for serial 8-bit data at end of a line (ICODE = 1).

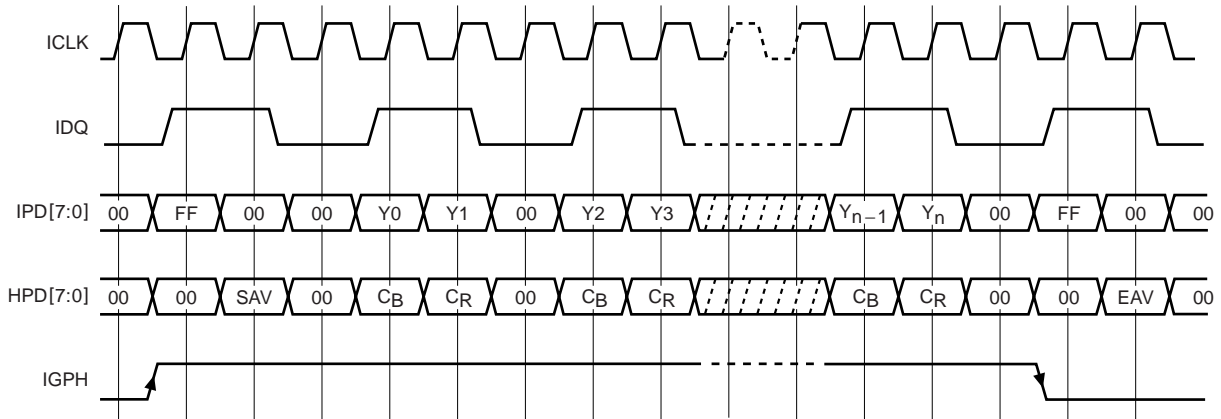
PAL/NTSC/SECAM video decoder with adaptive PAL/NTSC comb filter, VBI-data slicer and high performance scaler

SAA7114H



MHB553

Fig.34 Output timing I-port for serial 8-bit data at end of a line (ICODE = 0).



MHB554

Fig.35 Output timing for 16-bit data output via I-port and H-port with codes (ICODE = 1), timing is like 8-bit output, but packages of 2 bytes per valid cycle.

PAL/NTSC/SECAM video decoder with adaptive PAL/NTSC comb filter, VBI-data slicer and high performance scaler

SAA7114H

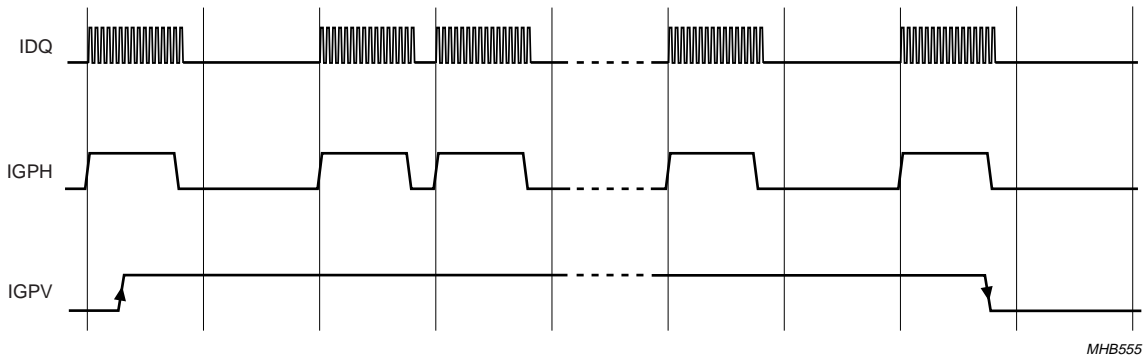


Fig.36 H-gate and V-gate output timing.

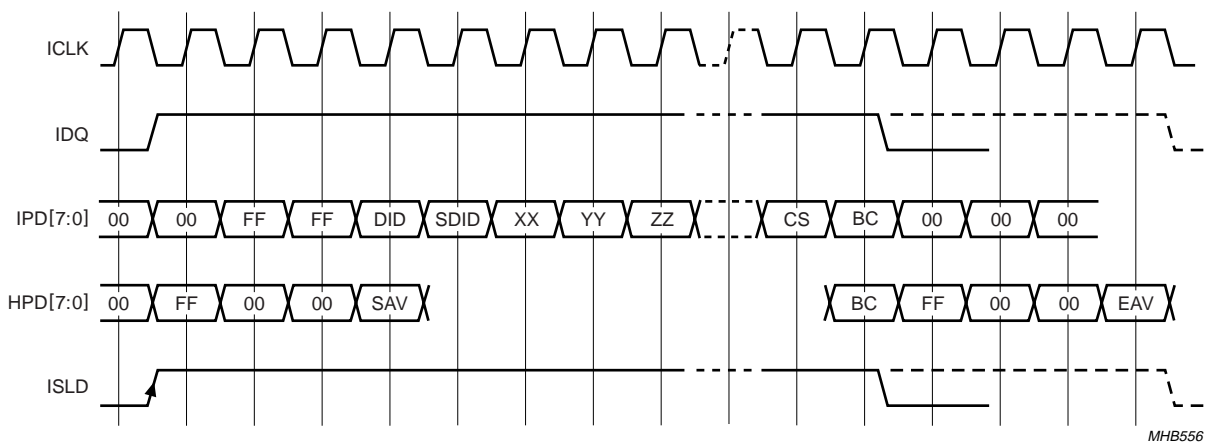


Fig.37 Output timing for sliced VBI-data in 8-bit serial output mode (dotted graphs for SAV/EAV mode).

**PAL/NTSC/SECAM video decoder with adaptive PAL/NTSC comb filter, VBI-data slicer and high performance scaler**

**SAA7114H**

**10 BOUNDARY SCAN TEST**

The SAA7114H has built in logic and 5 dedicated pins to support boundary scan testing which allows board testing without special hardware (nails). The SAA7114H follows the "IEEE Std. 1149.1 - Standard Test Access Port and Boundary-Scan Architecture" set by the Joint Test Action Group (JTAG) chaired by Philips.

The 5 special pins are Test Mode Select (TMS), Test Clock (TCK), Test Reset ( $\overline{\text{TRST}}$ ), Test Data Input (TDI) and Test Data Output (TDO).

The Boundary Scan Test (BST) functions BYPASS, EXTEST, INTEST, SAMPLE, CLAMP and IDCODE are all supported (see Table 33). Details about the JTAG BST-TEST can be found in the specification "IEEE Std. 1149.1". A file containing the detailed Boundary Scan Description Language (BSDL) description of the SAA7114H is available on request.

**Table 33** BST instructions supported by the SAA7114H

INSTRUCTION	DESCRIPTION
BYPASS	This mandatory instruction provides a minimum length serial path (1 bit) between TDI and TDO when no test operation of the component is required.
EXTEST	This mandatory instruction allows testing of off-chip circuitry and board level interconnections.
SAMPLE	This mandatory instruction can be used to take a sample of the inputs during normal operation of the component. It can also be used to preload data values into the latched outputs of the boundary scan register.
CLAMP	This optional instruction is useful for testing when not all ICs have BST. This instruction addresses the bypass register while the boundary scan register is in external test mode.
IDCODE	This optional instruction will provide information on the components manufacturer, part number and version number.
INTEST	This optional instruction allows testing of the internal logic (no customer support available).
USER1	This private instruction allows testing by the manufacturer (no customer support available).

**10.1 Initialization of boundary scan circuit**

The TAP (Test Access Port) controller of an IC should be in the reset state (TEST\_LOGIC\_RESET) when the IC is in functional mode. This reset state also forces the instruction register into a functional instruction such as IDCODE or BYPASS.

To solve the power-up reset, the standard specifies that the TAP controller will be forced asynchronously to the TEST\_LOGIC\_RESET state by setting the  $\overline{\text{TRST}}$  pin LOW.

**10.2 Device identification codes**

A device identification register is specified in "IEEE Std. 1149.1b-1994". It is a 32-bit register which contains fields for the specification of the IC manufacturer, the IC part number and the IC version number. Its biggest advantage is the possibility to check for the correct ICs mounted after production and determination of the version number of ICs during field service.

When the IDCODE instruction is loaded into the BST instruction register, the identification register will be connected between TDI and TDO of the IC. The identification register will load a component specific code during the CAPTURE\_DATA\_REGISTER state of the TAP controller and this code can subsequently be shifted out. At board level this code can be used to verify component manufacturer, type and version number. The device identification register contains 32 bits, numbered 31 to 0, where bit 31 is the most significant bit (nearest to TDI) and bit 0 is the least significant bit (nearest to TDO); see Fig.38.

**PAL/NTSC/SECAM video decoder with adaptive PAL/NTSC comb filter, VBI-data slicer and high performance scaler**

**SAA7114H**

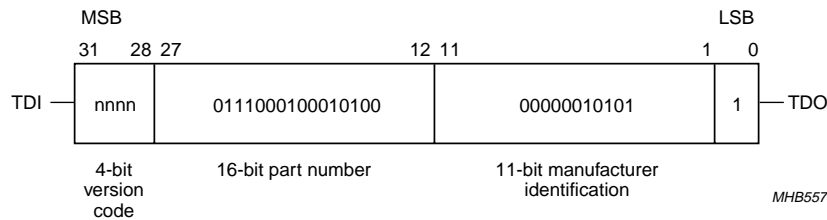


Fig.38 32 bits of identification code.

**11 LIMITING VALUES**

In accordance with the Absolute Maximum Rating System (IEC 134); all ground pins connected together and all supply pins connected together.

SYMBOL	PARAMETER	CONDITIONS	MIN.	MAX.	UNIT
V <sub>DDD</sub>	digital supply voltage		-0.5	+4.6	V
V <sub>DDA</sub>	analog supply voltage		-0.5	+4.6	V
V <sub>IA</sub>	input voltage at analog inputs		-0.5	V <sub>DDA</sub> + 0.5 <sup>(1)</sup>	V
V <sub>OA</sub>	output voltage at analog output		-0.5	V <sub>DDA</sub> + 0.5	V
V <sub>ID</sub>	input voltage at digital inputs and outputs	outputs in 3-state; note 2	-0.5	+5.5	V
V <sub>OD</sub>	output voltage at digital outputs	outputs active	-0.5	V <sub>DDD</sub> + 0.5	V
ΔV <sub>SS</sub>	voltage difference between V <sub>SSAn</sub> and V <sub>SSDn</sub>		-	100	mV
T <sub>stg</sub>	storage temperature		-65	+150	°C
T <sub>amb</sub>	operating ambient temperature		0	70	°C
T <sub>amb(bias)</sub>	operating ambient temperature under bias		-10	+80	°C
V <sub>esd</sub>	electrostatic discharge all pins	note 3	-2000	+2000	V

**Notes**

1. Maximum: 4.6 V.
2. Except pin XTALI.
3. Human body model: equivalent to discharging a 100 pF capacitor through a 1.5 kΩ resistor.

**12 THERMAL CHARACTERISTICS**

SYMBOL	PARAMETER	CONDITIONS	VALUE	UNIT
R <sub>th(j-a)</sub>	thermal resistance from junction to ambient	in free air	54	K/W



# PAL/NTSC/SECAM video decoder with adaptive PAL/NTSC comb filter, VBI-data slicer and high performance scaler

SAA7114H

## 13 CHARACTERISTICS

$V_{DDDD} = 3.0$  to  $3.6$  V;  $V_{DDA} = 3.1$  to  $3.5$  V;  $T_{amb} = 25$  °C; timings and levels refer to drawings and conditions illustrated in Fig.39; unless otherwise specified.

SYMBOL	PARAMETER	CONDITIONS	MIN.	TYP.	MAX.	UNIT
<b>Supplies</b>						
$V_{DDDD}$	digital supply voltage		3.0	3.3	3.6	V
$I_{DDDD}$	digital supply current	X-port 3-state; 8-bit I-port	–	90	–	mA
$P_D$	power dissipation digital part		–	300	–	mW
$V_{DDA}$	analog supply voltage		3.1	3.3	3.5	V
$I_{DDA}$	analog supply current	AOSL1 to AOSL0 = 0 CVBS mode	–	47	–	mA
		Y/C mode	–	72	–	mA
$P_A$	power dissipation analog part	CVBS mode	–	150	–	mW
		Y/C mode	–	240	–	mW
$P_{tot(A+D)}$	total power dissipation analog and digital part	CVBS mode	–	450	–	mW
		Y/C mode	–	540	–	mW
$P_{tot(A+D)(pd)}$	total power dissipation analog and digital part in power-down mode	CE pulled down to ground	–	5	–	mW
$P_{tot(A+D)(ps)}$	total power dissipation analog and digital part in power-save mode	I <sup>2</sup> C-bus controlled via subaddress 88H = 0FH	–	75	–	mW
<b>Analog part</b>						
$I_{clamp}$	clamping current	$V_i = 0.9$ V DC	–	±8	–	µA
$V_{i(p-p)}$	input voltage (peak-to-peak value)	for normal video levels 1 V (p-p), –3 dB termination 27/47 Ω and AC coupling required; coupling capacitor = 22 nF	–	0.7	–	V
$ Z_i $	input impedance	clamping current off	200	–	–	kΩ
$C_i$	input capacitance		–	–	10	pF
$\alpha_{cs}$	channel crosstalk	$f_i < 5$ MHz	–	–	–50	dB
<b>9-bit analog-to-digital converters</b>						
B	analog bandwidth	at –3 dB	–	7	–	MHz
$\Phi_{diff}$	differential phase (amplifier plus anti-alias filter bypassed)		–	2	–	deg
$G_{diff}$	differential gain (amplifier plus anti-alias filter bypassed)		–	2	–	%
$f_{clk(ADC)}$	ADC clock frequency		12.8	–	14.3	MHz

PAL/NTSC/SECAM video decoder with adaptive PAL/NTSC  
comb filter, VBI-data slicer and high performance scaler

SAA7114H

SYMBOL	PARAMETER	CONDITIONS	MIN.	TYP.	MAX.	UNIT
LE <sub>dc(d)</sub>	DC differential linearity error		–	0.7	–	LSB
LE <sub>dc(i)</sub>	DC integral linearity error		–	1	–	LSB
<b>Digital inputs</b>						
V <sub>IL(SCL,SDA)</sub>	LOW-level input voltage pins SDA and SCL		–0.5	–	+0.3V <sub>DDD</sub>	V
V <sub>IH(SCL,SDA)</sub>	HIGH-level input voltage pins SDA and SCL		0.7V <sub>DDD</sub>	–	V <sub>DDD</sub> + 0.5	V
V <sub>IL(XTALI)</sub>	LOW-level CMOS input voltage pin XTALI		–0.3	–	+0.8	V
V <sub>IH(XTALI)</sub>	HIGH-level CMOS input voltage pin XTALI		2.0	–	V <sub>DDD</sub> + 0.3	V
V <sub>IL(n)</sub>	LOW-level input voltage all other inputs		–0.3	–	+0.8	V
V <sub>IH(n)</sub>	HIGH-level input voltage all other inputs		2.0	–	5.5	V
I <sub>LI</sub>	input leakage current		–	–	1	μA
I <sub>LI/O</sub>	I/O leakage current		–	–	10	μA
C <sub>i</sub>	input capacitance	I/O at high impedance	–	–	8	pF
<b>Digital outputs; note 1</b>						
V <sub>OL(SDA)</sub>	LOW-level output voltage pin SDA	SDA at 3 mA sink current	–	–	0.4	V
V <sub>OL(clk)</sub>	LOW-level output voltage for clocks		–0.5	–	+0.6	V
V <sub>OH(clk)</sub>	HIGH-level output voltage for clocks		2.4	–	V <sub>DDD</sub> + 0.5	V
V <sub>OL</sub>	LOW-level output voltage all other digital outputs		0	–	0.4	V
V <sub>OH</sub>	HIGH-level output voltage all other digital outputs		2.4	–	V <sub>DDD</sub> + 0.5	V
<b>Clock output timing (LLC and LLC2); note 2</b>						
C <sub>L</sub>	output load capacitance		15	–	50	pF
T <sub>cy</sub>	cycle time	pin LLC	35	–	39	ns
		pin LLC2	70	–	78	ns
δ	duty factors for t <sub>LLCH</sub> /t <sub>LLC</sub> and t <sub>LLC2H</sub> /t <sub>LLC2</sub>	C <sub>L</sub> = 40 pF	40	–	60	%
t <sub>r</sub>	rise time LLC and LLC2	0.2 V to V <sub>DDD</sub> – 0.2 V	–	–	5	ns
t <sub>f</sub>	fall time LLC and LLC2	V <sub>DDD</sub> – 0.2 V to 0.2 V	–	–	5	ns
t <sub>d(LLC-LLC2)</sub>	delay time between LLC and LLC2 output	measured at 1.5 V; C <sub>L</sub> = 25 pF	–4	–	+8	ns

PAL/NTSC/SECAM video decoder with adaptive PAL/NTSC  
comb filter, VBI-data slicer and high performance scaler

SAA7114H

SYMBOL	PARAMETER	CONDITIONS	MIN.	TYP.	MAX.	UNIT
<b>Horizontal PLL</b>						
$f_{hor(n)}$	nominal line frequency	50 Hz field	–	15625	–	Hz
		60 Hz field	–	15734	–	Hz
$\Delta f_{hor}/f_{hor(n)}$	permissible static deviation		–	–	5.7	%
<b>Subcarrier PLL</b>						
$f_{sc(n)}$	nominal subcarrier frequency	PAL BGHI	–	4433619	–	Hz
		NTSC M	–	3579545	–	Hz
		PAL M	–	3575612	–	Hz
		PAL N	–	3582056	–	Hz
$\Delta f_{sc}$	lock-in range		$\pm 400$	–	–	Hz
<b>Crystal oscillator for 32.11 MHz; note 3</b>						
$f_{xtal(n)}$	nominal frequency	3rd harmonic	–	32.11	–	MHz
$\Delta f_{xtal(n)}$	permissible nominal frequency deviation		–	–	$\pm 70 \times 10^{-6}$	
$\Delta f_{xtal(n)(T)}$	permissible nominal frequency deviation with temperature		–	–	$\pm 30 \times 10^{-6}$	
CRYSTAL SPECIFICATION (Y1)						
$T_{amb(X1)}$	operating ambient temperature		0	–	70	°C
$C_L$	load capacitance		8	–	–	pF
$R_s$	series resonance resistor		–	40	80	$\Omega$
$C_1$	motional capacitance		–	$1.5 \pm 20\%$	–	fF
$C_0$	parallel capacitance		–	$4.3 \pm 20\%$	–	pF
<b>Crystal oscillator for 24.576 MHz; note 3</b>						
$f_{xtal(n)}$	nominal frequency	3rd harmonic	–	24.576	–	MHz
$\Delta f_{xtal(n)}$	permissible nominal frequency deviation		–	–	$\pm 50 \times 10^{-6}$	
$\Delta f_{xtal(n)(T)}$	permissible nominal frequency deviation with temperature		–	–	$\pm 20 \times 10^{-6}$	
CRYSTAL SPECIFICATION (Y1)						
$T_{amb(X1)}$	operating ambient temperature		0	–	70	°C
$C_L$	load capacitance		8	–	–	pF
$R_s$	series resonance resistor		–	40	80	$\Omega$
$C_1$	motional capacitance		–	$1.5 \pm 20\%$	–	fF

PAL/NTSC/SECAM video decoder with adaptive PAL/NTSC  
comb filter, VBI-data slicer and high performance scaler

SAA7114H

SYMBOL	PARAMETER	CONDITIONS	MIN.	TYP.	MAX.	UNIT
C <sub>0</sub>	parallel capacitance		–	3.5 ±20%	–	pF
<b>Clock input timing (XCLK)</b>						
T <sub>cy</sub>	cycle time		31	–	45	ns
δ	duty factors for t <sub>LLCH</sub> /t <sub>LLC</sub>		40	50	60	%
t <sub>r</sub>	rise time		–	–	5	ns
t <sub>f</sub>	fall time		–	–	5	ns
<b>Data and control signal input timing X-port, related to XCLK input</b>						
t <sub>SU;DAT</sub>	input data set-up time		–	10	–	ns
t <sub>HD;DAT</sub>	input data hold time		–	3	–	ns
<b>Clock output timing</b>						
C <sub>L</sub>	output load capacitance		15	–	50	pF
T <sub>cy</sub>	cycle time		35	–	39	ns
δ	duty factors for t <sub>XCLKH</sub> /t <sub>XCLKL</sub>		35	–	65	%
t <sub>r</sub>	rise time	0.6 to 2.6 V	–	–	5	ns
t <sub>f</sub>	fall time	2.6 to 0.6 V	–	–	5	ns
<b>Data and control signal output timing X-port, related to XCLK output (for XPCK[1:0]83H[5:4] = 00 is default); note 2</b>						
C <sub>L</sub>	output load capacitance		15	–	50	pF
t <sub>OHD;DAT</sub>	output data hold time	C <sub>L</sub> = 15 pF	–	14	–	ns
t <sub>PD</sub>	propagation delay from positive edge of XCLK output	C <sub>L</sub> = 15 pF	–	24	–	ns
t <sub>f</sub>	fall time		–	–	<tbf>	ns
<b>Control signal output timing RT port, related to LLC output</b>						
C <sub>L</sub>	output load capacitance		15	–	50	pF
t <sub>OHD;DAT</sub>	output hold time	C <sub>L</sub> = 15 pF	–	14	–	ns
t <sub>PD</sub>	propagation delay from positive edge of LLC output	C <sub>L</sub> = 15 pF	–	24	–	ns
t <sub>f</sub>	fall time		–	–	<tbf>	ns
<b>ICLK output timing</b>						
C <sub>L</sub>	output load capacitance		15	–	50	pF
T <sub>cy</sub>	cycle time		31	–	45	ns
δ	duty factors for t <sub>ICLKH</sub> /t <sub>ICLKL</sub>		35	–	65	%
t <sub>r</sub>	rise time	0.6 to 2.6 V	–	–	5	ns

PAL/NTSC/SECAM video decoder with adaptive PAL/NTSC  
comb filter, VBI-data slicer and high performance scaler

SAA7114H

SYMBOL	PARAMETER	CONDITIONS	MIN.	TYP.	MAX.	UNIT
$t_f$	fall time	2.6 to 0.6 V	–	–	5	ns
<b>Data and control signal output timing I-port, related to ICLK output (for IPCK[1:0]87H[5:4] = 00 is default)</b>						
$C_L$	output load capacitance at all outputs		15	–	50	pF
$t_{OHD;DAT}$	output data hold time	$C_L = 15$ pF	–	12	–	ns
$t_{o(d)}$	output delay time	$C_L = 15$ pF	–	22	–	ns
$t_{dis}$	port disable time to 3-state	$C_L = 25$ pF	–	–	<tbf>	ns
$t_{en}$	port enable time from 3-state	$C_L = 25$ pF	–	–	<tbf>	ns
<b>ICLK input timing</b>						
$T_{cy}$	cycle time		31	–	100	ns
$t_L, t_H$	LOW and HIGH times		–	–	<tbf>	ns
$t_r$	rise time		–	–	<tbf>	ns
<b>Data and control signal output timing I-port, related to ICLK input (for ICKS[1:0]80H[1:0] = 11)</b>						
$C_L$	output load capacitance at all outputs		<tbf>	–	<tbf>	pF
$t_{OHD;DAT}$	output data hold time	$C_L = 15$ pF	–	<tbf>	–	ns
$t_{o(d)}$	output delay time	$C_L = 15$ pF	–	<tbf>	–	ns
$t_{dis}$	port disable time to 3-state	$C_L = 25$ pF	–	–	<tbf>	ns
$t_{en}$	port enable time from 3-state	$C_L = 25$ pF	–	–	<tbf>	ns

**Notes**

1. The levels must be measured with load circuits; 1.2 k $\Omega$  at 3 V (TTL load);  $C_L = 50$  pF.
2. The effects of rise and fall times are included in the calculation of  $t_{OHD;DAT}$  and  $t_{PD}$ . Timings and levels refer to drawings and conditions illustrated in Fig.39.
3. The crystal oscillator drive level is typical 0.28 mW.

PAL/NTSC/SECAM video decoder with adaptive PAL/NTSC comb filter, VBI-data slicer and high performance scaler

SAA7114H

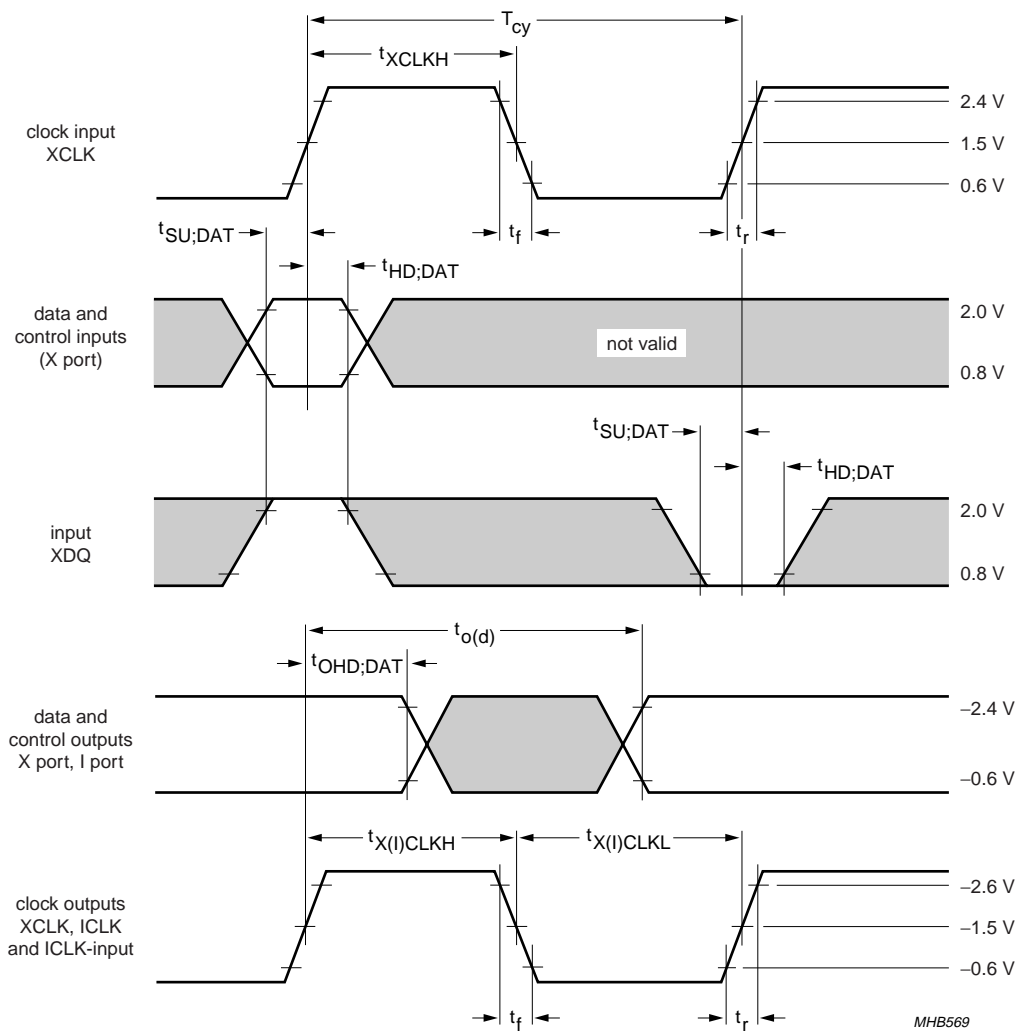


Fig.39 Data input/output timing diagram (X-port, RT port and I-port).

PAL/NTSC/SECAM video decoder with adaptive PAL/NTSC comb filter, VBI-data slicer and high performance scaler

SAA7114H

14 APPLICATION INFORMATION

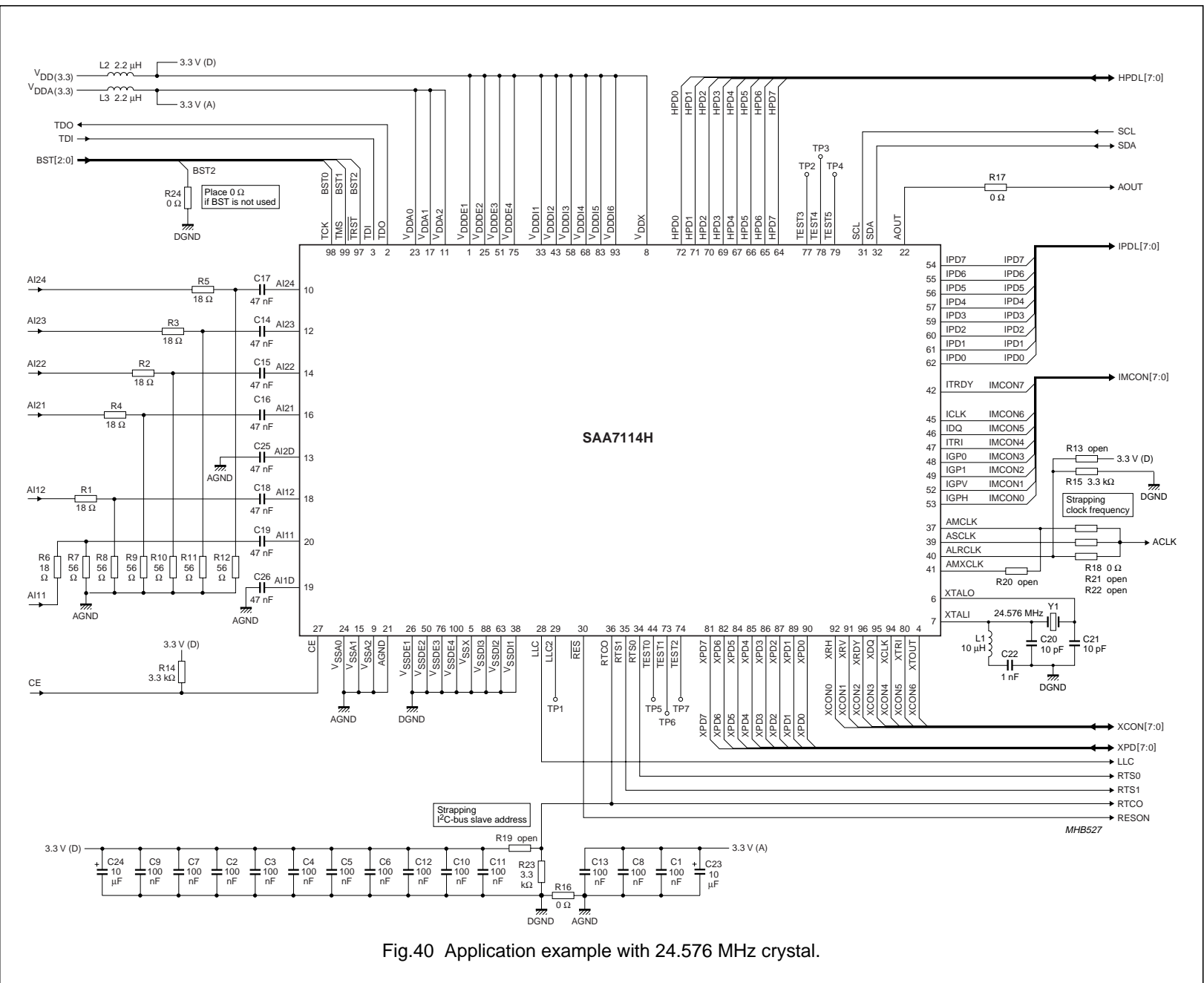
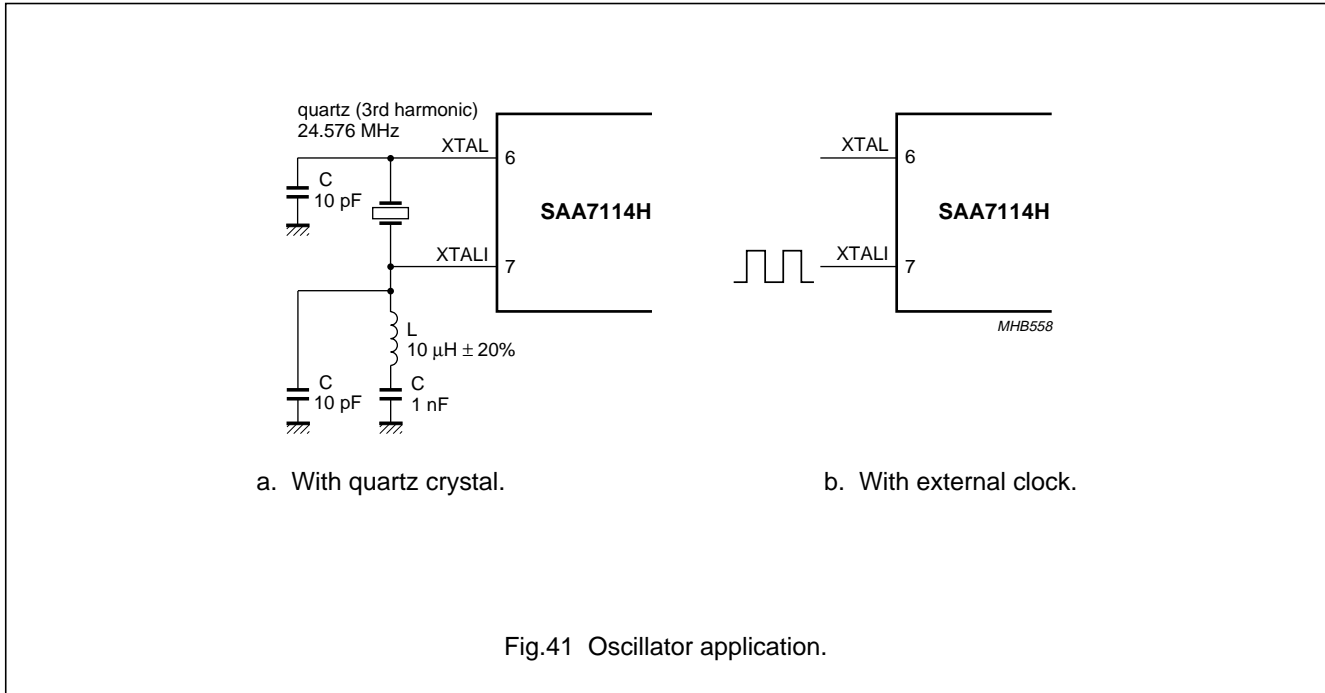


Fig.40 Application example with 24.576 MHz crystal.

PAL/NTSC/SECAM video decoder with adaptive PAL/NTSC comb filter, VBI-data slicer and high performance scaler

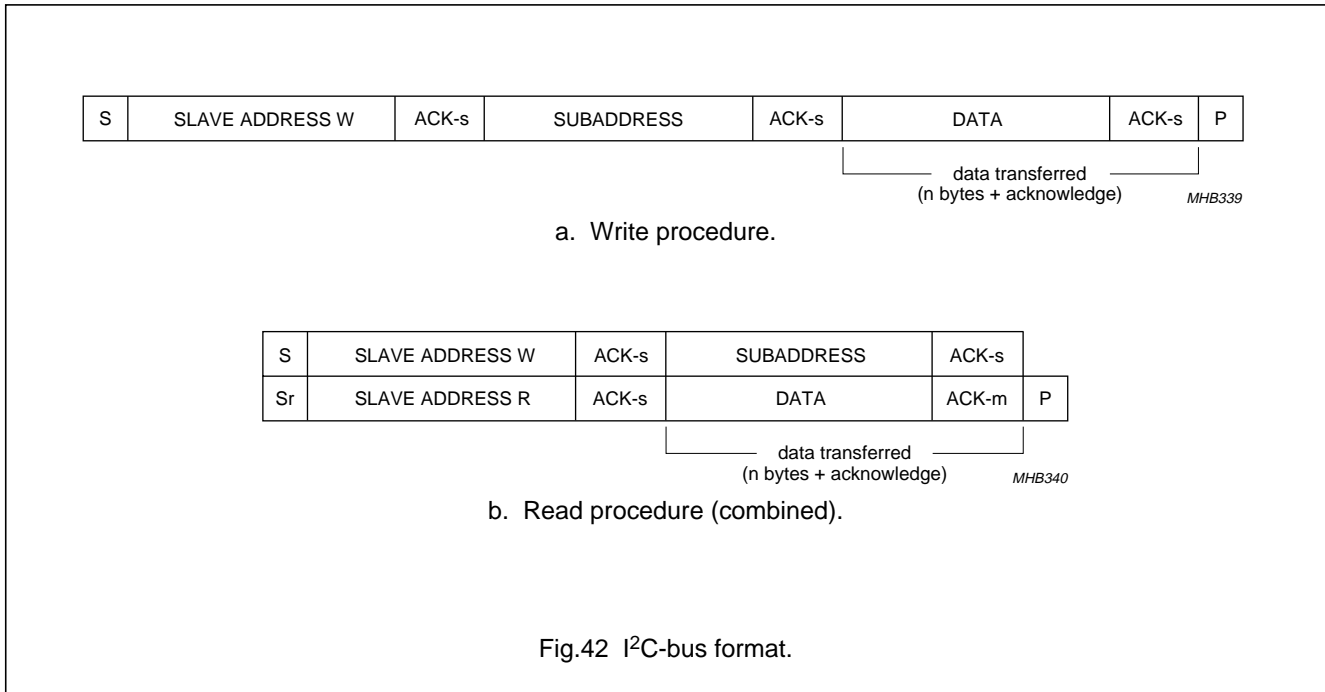
SAA7114H



15 I<sup>2</sup>C-BUS DESCRIPTION

The SAA7114H supports the 'fast mode' I<sup>2</sup>C-bus specification extension (data rate up to 400 kbits/s).

15.1 I<sup>2</sup>C-bus format





PAL/NTSC/SECAM video decoder with adaptive PAL/NTSC  
comb filter, VBI-data slicer and high performance scaler

SAA7114H

**Table 34** Description of I<sup>2</sup>C-bus format

CODE	DESCRIPTION
S	START condition
Sr	repeated START condition
Slave address W	'0100 0010' (= 42H, default) or '0100 0000' (= 40H; note 1)
Slave address R	'0100 0011' (= 43H, default) or '0100 0001' (= 41H; note 1)
ACK-s	acknowledge generated by the slave
ACK-m	acknowledge generated by the master
Subaddress	subaddress byte; see Tables 35 and 36
Data	data byte; see Table 36; if more than one byte DATA is transmitted the subaddress pointer is automatically incremented
P	STOP condition
X	read/write control bit (LSB slave address); X = 0, order to write (the circuit is slave receiver); X = 1, order to read (the circuit is slave transmitter)

**Note**

1. If pin RTCO strapped to ground via a 3.3 kΩ resistor.

**Table 35** Subaddress description and access

SUBADDRESS	DESCRIPTION	ACCESS (READ/WRITE)
00H	chip version	read only
F0H to FFH	reserved	–
<b>Video decoder: 01H to 2FH</b>		
01H to 05H	front-end part	read and write
06H to 19H	decoder part	read and write
1AH to 1EH	reserved	–
1FH	video decoder status byte	read only
20H to 2FH	reserved	–
<b>Audio clock generation: 30H to 3FH</b>		
30H to 3AH	audio clock generator	read and write
3BH to 3FH	reserved	–
<b>General purpose VBI-data slicer: 40H to 7FH</b>		
40H to 60H	VBI-data slicer	read and write
61H to 62H	VBI-data slicer status	read only
64H to 7FH	reserved	–
<b>X-port, I-port and the scaler: 80H to EFH</b>		
80H to 8FH	task independent global settings	read and write
90H to BFH	task A definition	read and write
C0H to EFH	task B definition	read and write

PAL/NTSC/SECAM video decoder with adaptive PAL/NTSC  
comb filter, VBI-data slicer and high performance scaler

SAA7114H

**Table 36** I<sup>2</sup>C-bus receiver/transmitter overview

REGISTER FUNCTION	SUB ADDR. (HEX)	D7	D6	D5	D4	D3	D2	D1	D0
<b>Chip version: register 00H</b>									
Chip version (read only)	00	ID07	ID06	ID05	ID04	–	–	–	–
<b>Video decoder: registers 01H to 2FH</b>									
FRONT-END PART: REGISTERS 01H TO 05H									
Horizontal increment delay	01	(1)	(1)	(1)	(1)	IDEL3	IDEL2	IDEL1	IDEL0
Analog input control 1	02	FUSE1	FUSE0	GUDL1	GUDL0	MODE3	MODE2	MODE1	MODE0
Analog input control 2	03	(1)	HLNRS	VBSL	WPOFF	HOLDG	GAFIX	GAI28	GAI18
Analog input control 3	04	GAI17	GAI16	GAI15	GAI14	GAI13	GAI12	GAI11	GAI10
Analog input control 4	05	GAI27	GAI26	GAI25	GAI24	GAI23	GAI22	GAI21	GAI20
DECODER PART: REGISTERS 06H TO 2FH									
Horizontal sync start	06	HSB7	HSB6	HSB5	HSB4	HSB3	HSB2	HSB1	HSB0
Horizontal sync stop	07	HSS7	HSS6	HSS5	HSS4	HSS3	HSS2	HSS1	HSS0
Sync control	08	AUFD	FSEL	FOET	HTC1	HTC0	HPLL	VNOI1	VNOI0
Luminance control	09	BYPS	YCOMB	LDEL	LUBW	LUF13	LUF12	LUF11	LUF10
Luminance brightness control	0A	DBRI7	DBRI6	DBRI5	DBRI4	DBRI3	DBRI2	DBRI1	DBRI0
Luminance contrast control	0B	DCON7	DCON6	DCON5	DCON4	DCON3	DCON2	DCON1	DCON0
Chrominance saturation control	0C	DSAT7	DSAT6	DSAT5	DSAT4	DSAT3	DSAT2	DSAT1	DSAT0
Chrominance hue control	0D	HUEC7	HUEC6	HUEC5	HUEC4	HUEC3	HUEC2	HUEC1	HUEC0
Chrominance control 1	0E	CDTO	CSTD2	CSTD1	CSTD0	DCVF	FCTC	(1)	CCOMB
Chrominance gain control	0F	ACGC	CGAIN6	CGAIN5	CGAIN4	CGAIN3	CGAIN2	CGAIN1	CGAIN0
Chrominance control 2	10	OFFU1	OFFU0	OFFV1	OFFV0	CHBW	LCBW2	LCBW1	LCBW0
Mode/delay control	11	COLO	RTP1	HDEL1	HDEL0	RTP0	YDEL2	YDEL1	YDEL0
RT signal control	12	RTSE13	RTSE12	RTSE11	RTSE10	RTSE03	RTSE02	RTSE01	RTSE00
RT/X-port output control	13	RTCE	XRHS	XRVS1	XRVS0	HLSEL	OFTS2	OFTS1	OFTS0
Analog/ADC/compatibility control	14	CM99	UPTCV	AOSL1	AOSL0	XTOUTE	OLDSB	APCK1	APCK0
VGATE start, FID change	15	VSTA7	VSTA6	VSTA5	VSTA4	VSTA3	VSTA2	VSTA1	VSTA0
VGATE stop	16	VSTO7	VSTO6	VSTO5	VSTO4	VSTO3	VSTO2	VSTO1	VSTO0
Miscellaneous/VGATE MSBs	17	LLCE	LLC2E	(1)	(1)	(1)	VGPS	VSTO8	VSTA8

PAL/NTSC/SECAM video decoder with adaptive PAL/NTSC  
comb filter, VBI-data slicer and high performance scaler

SAA7114H

REGISTER FUNCTION	SUB ADDR. (HEX)	D7	D6	D5	D4	D3	D2	D1	D0
Raw data gain control	18	RAWG7	RAWG6	RAWG5	RAWG4	RAWG3	RAWG2	RAWG1	RAWG0
Raw data offset control	19	RAWO7	RAWO6	RAWO5	RAWO4	RAWO3	RAWO2	RAWO1	RAWO0
Reserved	1A to 1E	(1)	(1)	(1)	(1)	(1)	(1)	(1)	(1)
Status byte video decoder (read only, OLDSB = 0)	1F	INTL	HLVLN	FIDT	GLIMIT	GLIMB	WIPA	COPRO	RDCAP
Status byte video decoder (read only, OLDSB = 1)	1F	INTL	HLCK	FIDT	GLIMIT	GLIMB	WIPA	SLTCA	CODE
Reserved	20 to 2F	(1)	(1)	(1)	(1)	(1)	(1)	(1)	(1)
<b>Audio clock generator part: registers 30H to 3FH</b>									
Audio master clock cycles per field	30	ACPF7	ACPF6	ACPF5	ACPF4	ACPF3	ACPF2	ACPF1	ACPF0
	31	ACPF15	ACPF14	ACPF13	ACPF12	ACPF11	ACPF10	ACPF9	ACPF8
	32	(1)	(1)	(1)	(1)	(1)	(1)	ACPF17	ACPF16
Reserved	33	(1)	(1)	(1)	(1)	(1)	(1)	(1)	(1)
Audio master clock nominal increment	34	ACNI7	ACNI6	ACNI5	ACNI4	ACNI3	ACNI2	ACNI1	ACNI0
	35	ACNI15	ACNI14	ACNI13	ACNI12	ACNI11	ACNI10	ACNI9	ACNI8
	36	(1)	(1)	ACNI21	ACNI20	ACNI19	ACNI18	ACNI17	ACNI16
Reserved	37	(1)	(1)	(1)	(1)	(1)	(1)	(1)	(1)
Clock ratio AMCLK to ASCLK	38	(1)	(1)	SDIV5	SDIV4	SDIV3	SDIV2	SDIV1	SDIV0
Clock ratio ASCLK to ALRCLK	39	(1)	(1)	LRDIV5	LRDIV4	LRDIV3	LRDIV2	LRDIV1	LRDIV0
Audio clock control	3A	(1)	(1)	(1)	(1)	APLL	AMVR	LRPH	SCPH
Reserved	3B to 3F	(1)	(1)	(1)	(1)	(1)	(1)	(1)	(1)
<b>General purpose VBI-data slicer part: registers 40H to 7FH</b>									
Slicer control 1	40	(1)	HAM_N	FCE	HUNT_N	(1)	(1)	(1)	(1)
LCR2 to LCR24 (n = 2 to 24)	41 to 57	LCRn_7	LCRn_6	LCRn_5	LCRn_4	LCRn_3	LCRn_2	LCRn_1	LCRn_0
Programmable framing code	58	FC7	FC6	FC5	FC4	FC3	FC2	FC1	FC0
Horizontal offset for slicer	59	HOFF7	HOFF6	HOFF5	HOFF4	HOFF3	HOFF2	HOFF1	HOFF0
Vertical offset for slicer	5A	VOFF7	VOFF6	VOFF5	VOFF4	VOFF3	VOFF2	VOFF1	VOFF0
Field offset and MSBs for horizontal and vertical offset	5B	FOFF	RECODE	(1)	VOFF8	(1)	HOFF10	HOFF9	HOFF8
Reserved (for testing)	5C	(1)	(1)	(1)	(1)	(1)	(1)	(1)	(1)

PAL/NTSC/SECAM video decoder with adaptive PAL/NTSC  
comb filter, VBI-data slicer and high performance scaler

SAA7114H

REGISTER FUNCTION	SUB ADDR. (HEX)	D7	D6	D5	D4	D3	D2	D1	D0
Header and data identification (DID) code control	5D	FVREF	(1)	DID5	DID4	DID3	DID2	DID1	DID0
Sliced data identification (SDID) code	5E	(1)	(1)	SDID5	SDID4	SDID3	SDID2	SDID1	SDID0
Reserved	5F	(1)	(1)	(1)	(1)	(1)	(1)	(1)	(1)
Slicer status byte 0 (read only)	60	–	FC8V	FC7V	VPSV	PPV	CCV	–	–
Slicer status byte 1 (read only)	61	–	–	F21_N	LN8	LN7	LN6	LN5	LN4
Slicer status byte 2 (read only)	62	LN3	LN2	LN1	LN0	DT3	DT2	DT1	DT0
Reserved	63 to 7F	(1)	(1)	(1)	(1)	(1)	(1)	(1)	(1)
<b>X-port, I-port and the scaler part: registers 80H to EFH</b>									
TASK INDEPENDENT GLOBAL SETTINGS: 80H to 8FH									
Global control 1	80	(1)	SMOD	TEB	TEA	ICKS3	ICKS2	ICKS1	ICKS0
Reserved	81 and 82	(1)	(1)	(1)	(1)	(1)	(1)	(1)	(1)
X-port I/O enable and output clock phase control	83	(1)	(1)	XPCK1	XPCK0	(1)	XRQT	XPE1	XPE0
I-port signal definitions	84	IDG01	IDG00	IDG11	IDG10	IDV1	IDV0	IDH1	IDH0
I-port signal polarities	85	ISWP1	ISWP0	ILLV	IG0P	IG1P	IRVP	IRHP	IDQP
I-port FIFO flag control and arbitration	86	VITX1	VITX0	IDG02	IDG12	FFL1	FFL0	FEL1	FEL0
I-port I/O enable, output clock and gated clock phase control	87	IPCK3	IPCK2	IPCK1	IPCK0	(1)	(1)	IPE1	IPE0
Power save control	88	CH4EN	CH2EN	SWRST	DPROG	SLM3	(1)	SLM1	SLM0
Reserved	89 to 8E	(1)	(1)	(1)	(1)	(1)	(1)	(1)	(1)
Status information scaler part	8F	XTRI	ITRI	FFIL	FFOV	PRDON	ERR_OF	FIDSCI	FIDSCO
TASK A DEFINITION: REGISTERS 90H to BFH									
<i>Basic settings and acquisition window definition</i>									
Task handling control	90	CONLH	OFIDC	FSKP2	FSKP1	FSKP0	RPTSK	STRC1	STRC0
X-port formats and configuration	91	CONLV	HLDFV	SCSRC1	SCSRC0	SCRQE	FSC2	FSC1	FSC0
X-port input reference signal definition	92	XFDV	XFDH	XDV1	XDV0	XCODE	XDH	XDQ	XCKS

PAL/NTSC/SECAM video decoder with adaptive PAL/NTSC  
comb filter, VBI-data slicer and high performance scaler

SAA7114H

REGISTER FUNCTION	SUB ADDR. (HEX)	D7	D6	D5	D4	D3	D2	D1	D0
I-port format and configuration	93	ICODE	I8_16	FYSK	FOI1	FOI0	FSI2	FSI1	FSI0
Horizontal input window start	94	XO7	XO6	XO5	XO4	XO3	XO2	XO1	XO0
	95	(1)	(1)	(1)	(1)	XO11	XO10	XO9	XO8
Horizontal input window length	96	XS7	XS6	XS5	XS4	XS3	XS2	XS1	XS0
	97	(1)	(1)	(1)	(1)	XS11	XS10	XS9	XS8
Vertical input window start	98	YO7	YO6	YO5	YO4	YO3	YO2	YO1	YO0
	99	(1)	(1)	(1)	(1)	YO11	YO10	YO9	YO8
Vertical input window length	9A	YS7	YS6	YS5	YS4	YS3	YS2	YS1	YS0
	9B	(1)	(1)	(1)	(1)	YS11	YS10	YS9	YS8
Horizontal output window length	9C	XD7	XD6	XD5	XD4	XD3	XD2	XD1	XD0
	9D	(1)	(1)	(1)	(1)	XD11	XD10	XD9	XD8
Vertical output window length	9E	YD7	YD6	YD5	YD4	YD3	YD2	YD1	YD0
	9F	(1)	(1)	(1)	(1)	YD11	YD10	YD9	YD8
<i>FIR filtering and prescaling</i>									
Horizontal prescaling	A0	(1)	(1)	XPSC5	XPSC4	XPSC3	XPSC2	XPSC1	XPSC0
Accumulation length	A1	(1)	(1)	XACL5	XACL4	XACL3	XACL2	XACL1	XACL0
Prescaler DC gain and FIR prefilter control	A2	PFUV1	PFUV0	PFY1	PFY0	XC2_1	XDCG2	XDCG1	XDCG0
Reserved	A3	(1)	(1)	(1)	(1)	(1)	(1)	(1)	(1)
Luminance brightness setting	A4	BRIG7	BRIG6	BRIG5	BRIG4	BRIG3	BRIG2	BRIG1	BRIG0
Luminance contrast setting	A5	CONT7	CONT6	CONT5	CONT4	CONT3	CONT2	CONT1	CONT0
Chrominance saturation setting	A6	SATN7	SATN6	SATN5	SATN4	SATN3	SATN2	SATN1	SATN0
Reserved	A7	(1)	(1)	(1)	(1)	(1)	(1)	(1)	(1)
<i>Horizontal phase scaling</i>									
Horizontal luminance scaling increment	A8	XSCY7	XSCY6	XSCY5	XSCY4	XSCY3	XSCY2	XSCY1	XSCY0
	A9	(1)	(1)	(1)	XSCY12	XSCY11	XSCY10	XSCY9	XSCY8
Horizontal luminance phase offset	AA	XPHY7	XPHY6	XPHY5	XPHY4	XPHY3	XPHY2	XPHY1	XPHY0
Reserved	AB	(1)	(1)	(1)	(1)	(1)	(1)	(1)	(1)

PAL/NTSC/SECAM video decoder with adaptive PAL/NTSC  
comb filter, VBI-data slicer and high performance scaler

SAA7114H

REGISTER FUNCTION	SUB ADDR. (HEX)	D7	D6	D5	D4	D3	D2	D1	D0
Horizontal chrominance scaling increment	AC	XSCC7	XSCC6	XSCC5	XSCC4	XSCC3	XSCC2	XSCC1	XSCC0
	AD	(1)	(1)	(1)	XSCC12	XSCC11	XSCC10	XSCC9	XSCC8
Horizontal chrominance phase offset	AE	XPHC7	XPHC6	XPHC5	XPHC4	XPHC3	XPHC2	XPHC1	XPHC0
Reserved	AF	(1)	(1)	(1)	(1)	(1)	(1)	(1)	(1)
<i>Vertical scaling</i>									
Vertical luminance scaling increment	B0	YSCY7	YSCY6	YSCY5	YSCY4	YSCY3	YSCY2	YSCY1	YSCY0
	B1	YSCY15	YSCY14	YSCY13	YSCY12	YSCY11	YSCY10	YSCY9	YSCY8
Vertical chrominance scaling increment	B2	YSCC7	YSCC6	YSCC5	YSCC4	YSCC3	YSCC2	YSCC1	YSCC0
	B3	YSCC15	YSCC14	YSCC13	YSCC12	YSCC11	YSCC10	YSCC9	YSCC8
Vertical scaling mode control	B4	(1)	(1)	(1)	YMIR	(1)	(1)	(1)	YMODE
Reserved	B5 to B7	(1)	(1)	(1)	(1)	(1)	(1)	(1)	(1)
Vertical chrominance phase offset '00'	B8	YPC07	YPC06	YPC05	YPC04	YPC03	YPC02	YPC01	YPC00
Vertical chrominance phase offset '01'	B9	YPC17	YPC16	YPC15	YPC14	YPC13	YPC12	YPC11	YPC10
Vertical chrominance phase offset '10'	BA	YPC27	YPC26	YPC25	YPC24	YPC23	YPC22	YPC21	YPC20
Vertical chrominance phase offset '11'	BB	YPC37	YPC36	YPC35	YPC34	YPC33	YPC32	YPC31	YPC30
Vertical luminance phase offset '00'	BC	YPY07	YPY06	YPY05	YPY04	YPY03	YPY02	YPY01	YPY00
Vertical luminance phase offset '01'	BD	YPY17	YPY16	YPY15	YPY14	YPY13	YPY12	YPY11	YPY10
Vertical luminance phase offset '10'	BE	YPY27	YPY26	YPY25	YPY24	YPY23	YPY22	YPY21	YPY20
Vertical luminance phase offset '11'	BF	YPY37	YPY36	YPY35	YPY34	YPY33	YPY32	YPY31	YPY30
TASK B DEFINITION REGISTERS C0H TO EFH									
<i>Basic settings and acquisition window definition</i>									
Task handling control	C0	CONLH	OFIDC	FSKP2	FSKP1	FSKP0	RPTSK	STRC1	STRC0

**PAL/NTSC/SECAM video decoder with adaptive PAL/NTSC  
comb filter, VBI-data slicer and high performance scaler**
**SAAT114H**

REGISTER FUNCTION	SUB ADDR. (HEX)	D7	D6	D5	D4	D3	D2	D1	D0
X-port formats and configuration	C1	CONLV	HLDFV	SCSRC1	SCSRC0	SCRQE	FSC2	FSC1	FSC0
Input reference signal definition	C2	XFDV	XFDH	XDV1	XDV0	XCODE	XDH	XDQ	XCKS
I-port format and configuration	C3	ICODE	I8_16	FYSK	FOI1	FOI0	FSI2	FSI1	FSI0
Horizontal input window start	C4	XO7	XO6	XO5	XO4	XO3	XO2	XO1	XO0
	C5	(1)	(1)	(1)	(1)	XO11	XO10	XO9	XO8
Horizontal input window length	C6	XS7	XS6	XS5	XS4	XS3	XS2	XS1	XS0
	C7	(1)	(1)	(1)	(1)	XS11	XS10	XS9	XS8
Vertical input window start	C8	YO7	YO6	YO5	YO4	YO3	YO2	YO1	YO0
	C9	(1)	(1)	(1)	(1)	YO11	YO10	YO9	YO8
Vertical input window length	CA	YS7	YS6	YS5	YS4	YS3	YS2	YS1	YS0
	CB	(1)	(1)	(1)	(1)	YS11	YS10	YS9	YS8
Horizontal output window length	CC	XD7	XD6	XD5	XD4	XD3	XD2	XD1	XD0
	CD	(1)	(1)	(1)	(1)	XD11	XD10	XD9	XD8
Vertical output window length	CE	YD7	YD6	YD5	YD4	YD3	YD2	YD1	YD0
	CF	(1)	(1)	(1)	(1)	YD11	YD10	YD9	YD8
<i>FIR filtering and prescaling</i>									
Horizontal prescaling	D0	(1)	(1)	XPSC5	XPSC4	XPSC3	XPSC2	XPSC1	XPSC0
Accumulation length	D1	(1)	(1)	XACL5	XACL4	XACL3	XACL2	XACL1	XACL0
Prescaler DC gain and FIR prefilter control	D2	PFUV1	PFUV0	PFY1	PFY0	XC2_1	XDCG2	XDCG1	XDCG0
Reserved	D3	(1)	(1)	(1)	(1)	(1)	(1)	(1)	(1)
Luminance brightness setting	D4	BRIG7	BRIG6	BRIG5	BRIG4	BRIG3	BRIG2	BRIG1	BRIG0
Luminance contrast setting	D5	CONT7	CONT6	CONT5	CONT4	CONT3	CONT2	CONT1	CONT0
Chrominance saturation setting	D6	SATN7	SATN6	SATN5	SATN4	SATN3	SATN2	SATN1	SATN0
Reserved	D7	(1)	(1)	(1)	(1)	(1)	(1)	(1)	(1)
<i>Horizontal phase scaling</i>									
Horizontal luminance scaling increment	D8	XSCY7	XSCY6	XSCY5	XSCY4	XSCY3	XSCY2	XSCY1	XSCY0
	D9	(1)	(1)	(1)	XSCY12	XSCY11	XSCY10	XSCY9	XSCY8
Horizontal luminance phase offset	DA	XPHY7	XPHY6	XPHY5	XPHY4	XPHY3	XPHY2	XPHY1	XPHY0

PAL/NTSC/SECAM video decoder with adaptive PAL/NTSC  
comb filter, VBI-data slicer and high performance scaler

SAA7114H

REGISTER FUNCTION	SUB ADDR. (HEX)	D7	D6	D5	D4	D3	D2	D1	D0
Reserved	DB	(1)	(1)	(1)	(1)	(1)	(1)	(1)	(1)
Horizontal chrominance scaling increment	DC	XSCC7	XSCC6	XSCC5	XSCC4	XSCC3	XSCC2	XSCC1	XSCC0
	DD	(1)	(1)	(1)	XSCC12	XSCC11	XSCC10	XSCC9	XSCC8
Horizontal chrominance phase offset	DE	XPHC7	XPHC6	XPHC5	XPHC4	XPHC3	XPHC2	XPHC1	XPHC0
Reserved	DF	(1)	(1)	(1)	(1)	(1)	(1)	(1)	(1)
<i>Vertical scaling</i>									
Vertical luminance scaling increment	E0	YSCY7	YSCY6	YSCY5	YSCY4	YSCY3	YSCY2	YSCY1	YSCY0
	E1	YSCY15	YSCY14	YSCY13	YSCY12	YSCY11	YSCY10	YSCY9	YSCY8
Vertical chrominance scaling increment	E2	YSCC7	YSCC6	YSCC5	YSCC4	YSCC3	YSCC2	YSCC1	YSCC0
	E3	YSCC15	YSCC14	YSCC13	YSCC12	YSCC11	YSCC10	YSCC9	YSCC8
Vertical scaling mode control	E4	(1)	(1)	(1)	YMIR	(1)	(1)	(1)	YMODE
Reserved	E5 to E7	(1)	(1)	(1)	(1)	(1)	(1)	(1)	(1)
Vertical chrominance phase offset '00'	E8	YPC07	YPC06	YPC05	YPC04	YPC03	YPC02	YPC01	YPC00
Vertical chrominance phase offset '01'	E9	YPC17	YPC16	YPC15	YPC14	YPC13	YPC12	YPC11	YPC10
Vertical chrominance phase offset '10'	EA	YPC27	YPC26	YPC25	YPC24	YPC23	YPC22	YPC21	YPC20
Vertical chrominance phase offset '11'	EB	YPC37	YPC36	YPC35	YPC34	YPC33	YPC32	YPC31	YPC30
Vertical luminance phase offset '00'	EC	YPY07	YPY06	YPY05	YPY04	YPY03	YPY02	YPY01	YPY00
Vertical luminance phase offset '01'	ED	YPY17	YPY16	YPY15	YPY14	YPY13	YPY12	YPY11	YPY10
Vertical luminance phase offset '10'	EE	YPY27	YPY26	YPY25	YPY24	YPY23	YPY22	YPY21	YPY20
Vertical luminance phase offset '11'	EF	YPY37	YPY36	YPY35	YPY34	YPY33	YPY32	YPY31	YPY30

**Note**

1. All unused control bits must be programmed with logic 0 to ensure compatibility to future enhancements.



# PAL/NTSC/SECAM video decoder with adaptive PAL/NTSC comb filter, VBI-data slicer and high performance scaler

SAA7114H

## 15.2 I<sup>2</sup>C-bus details

### 15.2.1 SUBADDRESS 00H

**Table 37** Chip Version (CV) identification; 00H[7:4]; read only register

FUNCTION	LOGIC LEVELS			
	ID07	ID06	ID05	ID04
Chip Version (CV)	CV0	CV1	CV2	CV3

### 15.2.2 SUBADDRESS 01H

The programming of the horizontal increment delay is used to match internal processing delays to the delay of the ADC. Use recommended position only.

**Table 38** Horizontal increment delay; 01H[3:0]

FUNCTION	IDEL3	IDEL2	IDEL1	IDEL0
No update	1	1	1	1
Minimum delay	1	1	1	0
<b>Recommended position</b>	<b>1</b>	<b>0</b>	<b>0</b>	<b>0</b>
Maximum delay	0	0	0	0

### 15.2.3 SUBADDRESS 02H

**Table 39** Analog input control 1 (AICO1); 02H[7:0]

BIT	DESCRIPTION	SYMBOL	VALUE	FUNCTION
D[7:6]	analog function select (see Fig.6)	FUSE[1:0]	00	amplifier plus anti-alias filter bypassed
			01	
			10	amplifier active
			11	amplifier plus anti-alias filter active
D[5:4]	update hysteresis for 9-bit gain (see Fig.7)	GUDL[1:0]	00	off
			01	±1 LSB
			10	±2 LSB
			11	±3 LSB

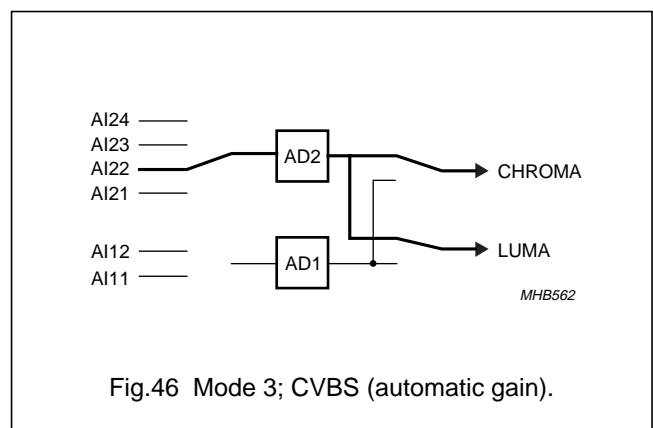
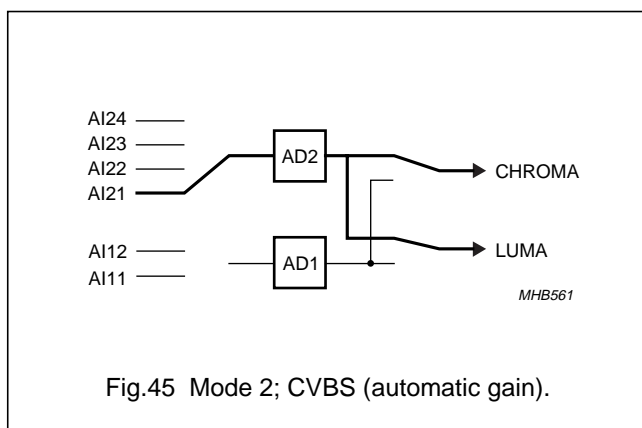
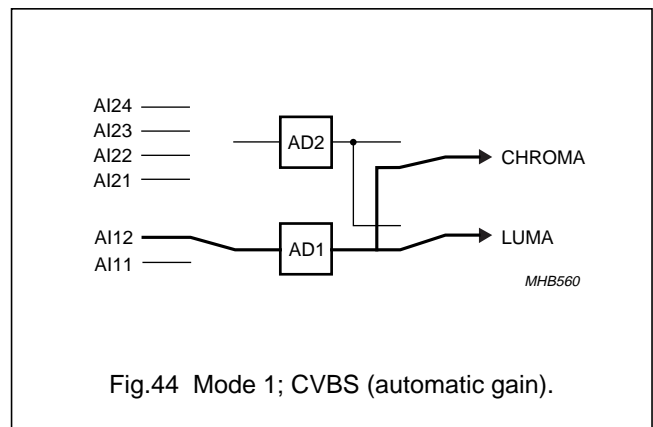
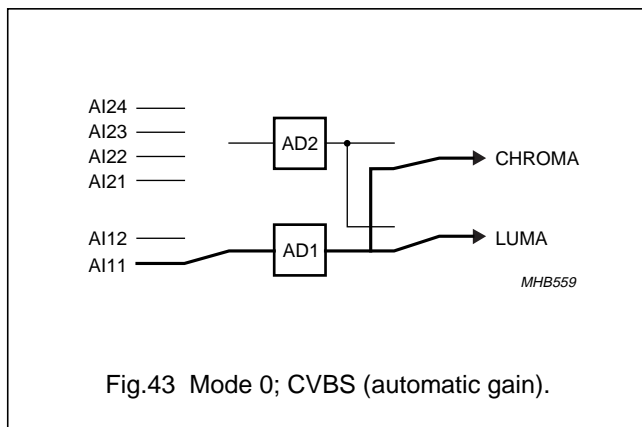
PAL/NTSC/SECAM video decoder with adaptive PAL/NTSC comb filter, VBI-data slicer and high performance scaler

SAA7114H

BIT	DESCRIPTION	SYMBOL	VALUE	FUNCTION
D[3:0]	mode selection	MODE[3:0]	0000	<b>Mode 0:</b> CVBS (automatic gain) from AI11 (pin 20); see Fig. 43
			0001	<b>Mode 1:</b> CVBS (automatic gain) from AI12 (pin 18); see Fig. 44
			0010	<b>Mode 2:</b> CVBS (automatic gain) from AI21 (pin 16); see Fig. 45
			0011	<b>Mode 3:</b> CVBS (automatic gain) from AI22 (pin 14); see Fig. 46
			0100	<b>Mode 4:</b> CVBS (automatic gain) from AI23 (pin 12); see Fig. 47
			0101	<b>Mode 5:</b> CVBS (automatic gain) from AI24 (pin 10); see Fig. 48
			0110	<b>Mode 6:</b> Y (automatic gain) from AI11 (pin 20) + C (gain adjustable via GAI28 to GAI20) from AI21 (pin 16); note 1; see Fig. 49
			0111	<b>Mode 7:</b> Y (automatic gain) from AI12 (pin 18) + C (gain adjustable via GAI28 to GAI20) from AI22 (pin 14); note 1; see Fig. 50
			1000	<b>Mode 8:</b> Y (automatic gain) from AI11 (pin 20) + C (gain adapted to Y gain) from AI21 (pin 16); note 1; see Fig. 51
			1001	<b>Mode 9:</b> Y (automatic gain) from AI12 (pin 18) + C (gain adapted to Y gain) from AI22 (pin 14); note 1; see Fig. 52
			1111	<b>Modes 10 to 15:</b> reserved

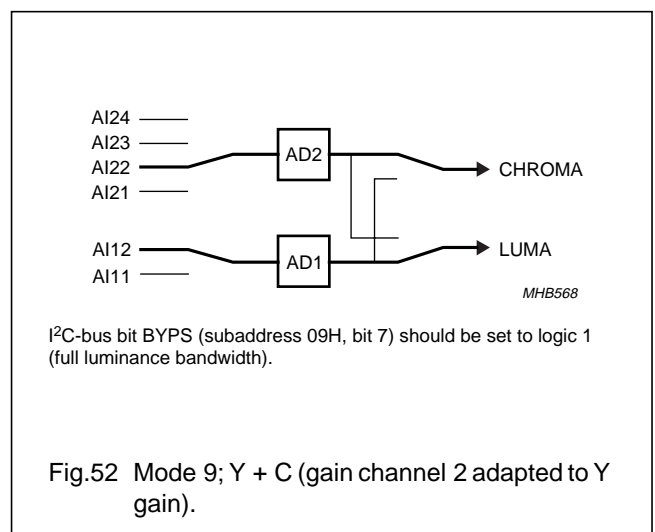
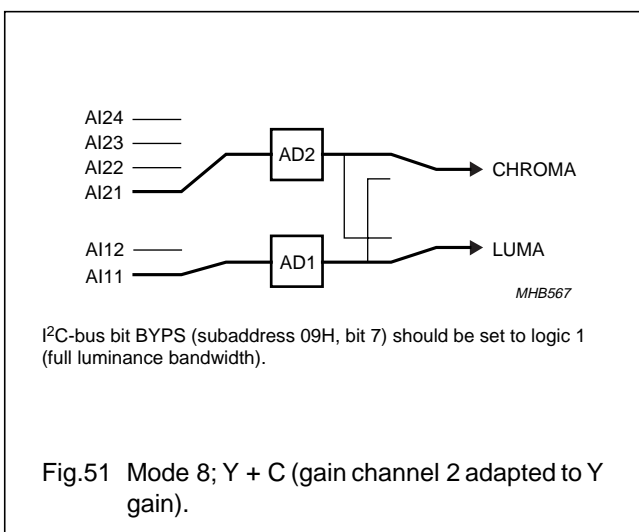
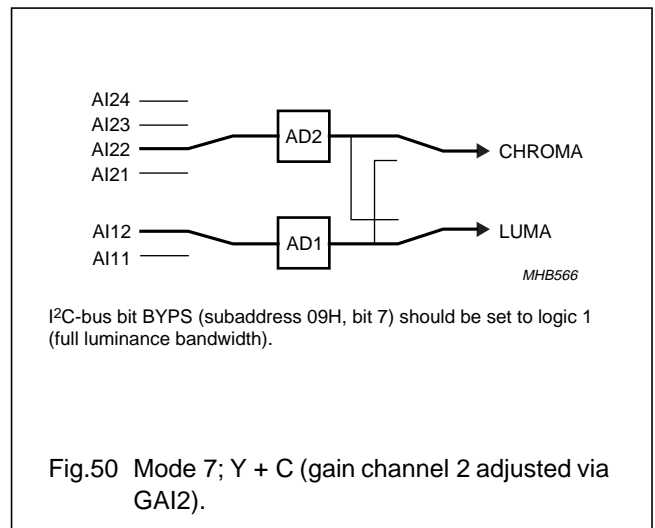
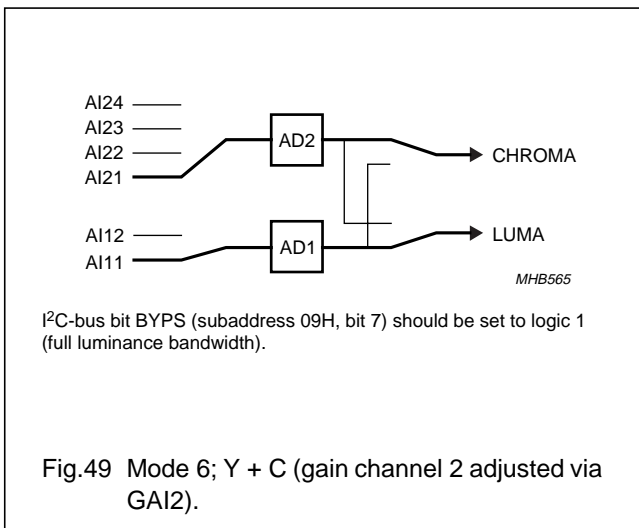
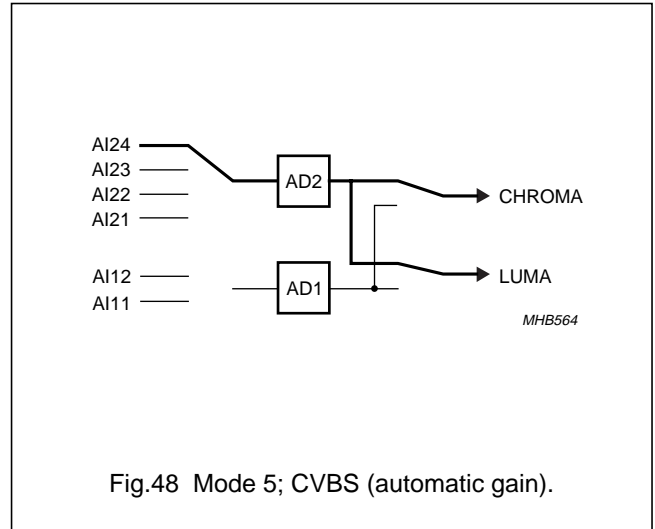
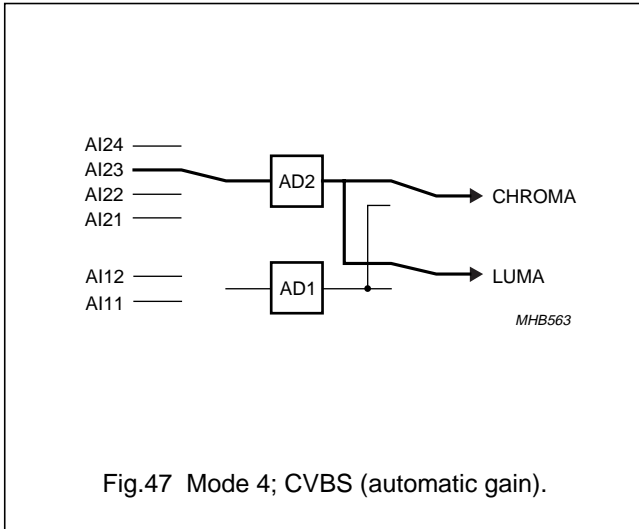
Note

- To take full advantage of the Y/C-modes 6 to 9 the I<sup>2</sup>C-bus bit BYPS (subaddress 09H, bit 7) should be set to logic 1 (full luminance bandwidth).



PAL/NTSC/SECAM video decoder with adaptive PAL/NTSC comb filter, VBI-data slicer and high performance scaler

SAA7114H



PAL/NTSC/SECAM video decoder with adaptive PAL/NTSC  
comb filter, VBI-data slicer and high performance scaler

SAA7114H

## 15.2.4 SUBADDRESS 03H

**Table 40** Analog input control 2 (AICO2); 03H[6:0]

BIT	DESCRIPTION	SYMBOL	VALUE	FUNCTION
D6	HL not reference select	HLNRS	0	normal clamping if decoder is in unlocked state
			1	reference select if decoder is in unlocked state
D5	AGC hold during vertical blanking period	VBSL	0	short vertical blanking (AGC disabled during equalization and serration pulses)
			1	long vertical blanking (AGC disabled from start of pre-equalization pulses until start of active video (line 22 for 60 Hz, line 24 for 50 Hz))
D4	white peak off	WPOFF	0	white peak control active
			1	white peak off
D3	automatic gain control integration	HOLDG	0	AGC active
			1	AGC integration hold (freeze)
D2	gain control fix	GAFIX	0	automatic gain controlled by MODE3 to MODE0
			1	gain is user programmable via GAI[17:10] and GAI[27:20]
D1	static gain control channel 2 sign bit	GAI28	see Table 42	
D0	static gain control channel 1 sign bit	GAI18	see Table 41	

## 15.2.5 SUBADDRESS 04H

**Table 41** Analog input control 3 (AICO3): static gain control channel 1; 03H[0] and 04H[7:0]

DECIMAL VALUE	GAIN (dB)	SIGN BIT 03H[0]	CONTROL BITS D7 TO D0							
		GAI18	GAI17	GAI16	GAI15	GAI14	GAI13	GAI12	GAI11	GAI10
0...	-3	0	0	0	0	0	0	0	0	0
...144	0	0	1	0	0	0	1	0	0	0
145...	0	0	1	0	0	0	1	0	0	1
...511	+6	1	1	1	1	1	1	1	1	1

## 15.2.6 SUBADDRESS 05H

**Table 42** Analog input control 4 (AICO4); static gain control channel 2; 03H[1] and 05H[7:0]

DECIMAL VALUE	GAIN (dB)	SIGN BIT 03H[1]	CONTROL BITS D7 TO D0							
		GAI28	GAI27	GAI26	GAI25	GAI24	GAI23	GAI22	GAI21	GAI20
0...	-3	0	0	0	0	0	0	0	0	0
...144	0	0	1	0	0	0	1	0	0	0
145...	0	0	1	0	0	0	1	0	0	1
...511	+6	1	1	1	1	1	1	1	1	1

PAL/NTSC/SECAM video decoder with adaptive PAL/NTSC comb filter, VBI-data slicer and high performance scaler

SAA7114H

15.2.7 SUBADDRESS 06H

**Table 43** Horizontal sync start; 06H[7:0]

DELAY TIME (STEP SIZE = 8/LLC)	CONTROL BITS D7 TO D0							
	HSB7	HSB6	HSB5	HSB4	HSB3	HSB2	HSB1	HSB0
-128...-109 (50 Hz)	forbidden (outside available central counter range)							
-128...-108 (60 Hz)								
-108 (50 Hz)...	1	0	0	1	0	1	0	0
-107 (60 Hz)...	1	0	0	1	0	1	0	1
...108 (50 Hz)	0	1	1	0	1	1	0	0
...107 (60 Hz)	0	1	1	0	1	0	1	1
109...127 (50 Hz)	forbidden (outside available central counter range)							
108...127 (60 Hz)								

15.2.8 SUBADDRESS 07H

**Table 44** Horizontal sync stop; 07H[7:0]

DELAY TIME (STEP SIZE = 8/LLC)	CONTROL BITS D7 TO D0							
	HSS7	HSS6	HSS5	HSS4	HSS3	HSS2	HSS1	HSS0
-128...-109 (50 Hz)	forbidden (outside available central counter range)							
-128...-108 (60 Hz)								
-108 (50 Hz)...	1	0	0	1	0	1	0	0
-107 (60 Hz)...	1	0	0	1	0	1	0	1
...108 (50 Hz)	0	1	1	0	1	1	0	0
...107 (60 Hz)	0	1	1	0	1	0	1	1
109...127 (50 Hz)	forbidden (outside available central counter range)							
108...127 (60 Hz)								

PAL/NTSC/SECAM video decoder with adaptive PAL/NTSC  
comb filter, VBI-data slicer and high performance scaler

SAA7114H

## 15.2.9 SUBADDRESS 08H

**Table 45** Sync control; 08H[7:0]

BIT	DESCRIPTION	SYMBOL	VALUE	FUNCTION
D7	automatic field detection	AUFD	0	field state directly controlled via FSEL
			1	automatic field detection; <b>recommended setting</b>
D6	field selection	FSEL	0	50 Hz, 625 lines
			1	60 Hz, 525 lines
D5	forced ODD/EVEN toggle	FOET	0	ODD/EVEN signal toggles only with interlaced source
			1	ODD/EVEN signal toggles fieldwise even if source is non-interlaced
D[4:3]	horizontal time constant selection	HTC[1:0]	00	TV mode, recommended for poor quality TV signals only; do not use for new applications
			01	VTR mode, recommended if a deflection control circuit is directly connected to the SAA7114H
			10	reserved
			11	fast locking mode; <b>recommended setting</b>
D2	horizontal PLL	HPLL	0	PLL closed
			1	PLL open; horizontal frequency fixed
D[1:0]	vertical noise reduction	VNOI[1:0]	00	normal mode; <b>recommended setting</b>
			01	fast mode, applicable for stable sources only; automatic field detection (AUFD) <b>must</b> be disabled
			10	free running mode
			11	vertical noise reduction bypassed

# PAL/NTSC/SECAM video decoder with adaptive PAL/NTSC comb filter, VBI-data slicer and high performance scaler

SAA7114H

## 15.2.10 SUBADDRESS 09H

**Table 46** Luminance control; 09H[7:0]

BIT	DESCRIPTION	SYMBOL	VALUE	FUNCTION
D7	chrominance trap/comb filter bypass	BYPS	0	chrominance trap or luminance comb filter active; default for CVBS mode
			1	chrominance trap or luminance comb filter bypassed; default for S-video mode
D6	adaptive luminance comb filter	YCOMB	0	disabled (= chrominance trap enabled, if BYPS = 0)
			1	active, if BYPS = 0
D5	processing delay in non comb filter mode	LDEL	0	processing delay is equal to internal pipelining delay
			1	one (NTSC standards) or two (PAL standards) video lines additional processing delay
D4	remodulation bandwidth for luminance; see Figs 12 to 15	LUBW	0	small remodulation bandwidth (narrow chroma notch $\Rightarrow$ higher luminance bandwidth)
			1	large remodulation bandwidth (wider chroma notch $\Rightarrow$ smaller luminance bandwidth)
D[3:0]	sharpness control, luminance filter characteristic; see Fig.16	LUF1[3:0]	0001	resolution enhancement filter 8.0 dB at 4.1 MHz
			0010	resolution enhancement filter 6.8 dB at 4.1 MHz
			0011	resolution enhancement filter 5.1 dB at 4.1 MHz
			0100	resolution enhancement filter 4.1 dB at 4.1 MHz
			0101	resolution enhancement filter 3.0 dB at 4.1 MHz
			0110	resolution enhancement filter 2.3 dB at 4.1 MHz
			0111	resolution enhancement filter 1.6 dB at 4.1 MHz
			0000	plain
			1000	low-pass filter 2 dB at 4.1 MHz
			1001	low-pass filter 3 dB at 4.1 MHz
			1010	low-pass filter 3 dB at 3.3 MHz; 4 dB at 4.1 MHz
			1011	low-pass filter 3 dB at 2.6 MHz; 8 dB at 4.1 MHz
			1100	low-pass filter 3 dB at 2.4 MHz; 14 dB at 4.1 MHz
			1101	low-pass filter 3 dB at 2.2 MHz; notch at 3.4 MHz
1110	low-pass filter 3 dB at 1.9 MHz; notch at 3.0 MHz			
1111	low-pass filter 3 dB at 1.7 MHz; notch at 2.5 MHz			

## 15.2.11 SUBADDRESS 0AH

**Table 47** Luminance brightness control: decoder part; 0AH[7:0]

OFFSET	CONTROL BITS D7 TO D0							
	DBRI7	DBRI6	DBRI5	DBRI4	DBRI3	DBRI2	DBRI1	DBRI0
255 (bright)	1	1	1	1	1	1	1	1
128 (ITU level)	1	0	0	0	0	0	0	0
0 (dark)	0	0	0	0	0	0	0	0

**PAL/NTSC/SECAM video decoder with adaptive PAL/NTSC comb filter, VBI-data slicer and high performance scaler**

**SAA7114H**

15.2.12 SUBADDRESS 0BH

**Table 48** Luminance contrast control; decoder part; 0BH[7:0]

GAIN	CONTROL BITS D7 TO D0							
	DCON7	DCON6	DCON5	DCON4	DCON3	DCON2	DCON1	DCON0
1.984 (maximum)	0	1	1	1	1	1	1	1
1.063 (ITU level)	0	1	0	0	0	1	0	0
1.0	0	1	0	0	0	0	0	0
0 (luminance off)	0	0	0	0	0	0	0	0
-1 (inverse luminance)	1	1	0	0	0	0	0	0
-2 (inverse luminance)	1	0	0	0	0	0	0	0

15.2.13 SUBADDRESS 0CH

**Table 49** Chrominance saturation control: decoder part; 0CH[7:0]

GAIN	CONTROL BITS D7 TO D0							
	DSAT7	DSAT6	DSAT5	DSAT4	DSAT3	DSAT2	DSAT1	DSAT0
1.984 (maximum)	0	1	1	1	1	1	1	1
1.0 (ITU level)	0	1	0	0	0	0	0	0
0 (colour off)	0	0	0	0	0	0	0	0
-1 (inverse chrominance)	1	1	0	0	0	0	0	0
-2 (inverse chrominance)	1	0	0	0	0	0	0	0

15.2.14 SUBADDRESS 0DH

**Table 50** Chrominance hue control; 0DH[7:0]

HUE PHASE (DEG)	CONTROL BITS D7 TO D0							
	HUEC7	HUEC6	HUEC5	HUEC4	HUEC3	HUEC2	HUEC1	HUEC0
+178.6...	0	1	1	1	1	1	1	1
...0...	0	0	0	0	0	0	0	0
...-180	1	0	0	0	0	0	0	0



PAL/NTSC/SECAM video decoder with adaptive PAL/NTSC  
comb filter, VBI-data slicer and high performance scaler

SAA7114H

## 15.2.15 SUBADDRESS 0EH

**Table 51** Chrominance control 1; 0EH[7:0]

BIT	DESCRIPTION	SYMBOL	VALUE	FUNCTION	
				50 Hz/625 LINES	60 Hz/525 LINES
D7	clear DTO	CSTDO	0	disabled	
			1	Every time CDTO is set, the internal subcarrier DTO phase is reset to 0° and the RTCO output generates a logic 0 at time slot 68 (see external document "RTC Functional Description", available on request). So an identical subcarrier phase can be generated by an external device (e.g. an encoder).	
D[6:4]	colour standard selection	CSTD[2:0]	000	PAL BGDHI (4.43 MHz)	NTSC M (3.58 MHz)
			001	NTSC 4.43 (50 Hz)	PAL 4.43 (60 Hz)
			010	Combination-PAL N (3.58 MHz)	NTSC 4.43 (60 Hz)
			011	NTSC N (3.58 MHz)	PAL M (3.58 MHz)
			100	reserved	NTSC-Japan (3.58 MHz)
			101	SECAM	reserved
			110	reserved; <b>do not use</b>	
			111	reserved; <b>do not use</b>	
D3	disable chrominance vertical filter and PAL phase error correction	DCVF	0	chrominance vertical filter and PAL phase error correction on (during active video lines)	
			1	chrominance vertical filter and PAL phase error correction permanently off	
D2	fast colour time constant	FCTC	0	nominal time constant	
			1	fast time constant for special applications	
D0	adaptive chrominance comb filter	CCOMB	0	disabled	
			1	active	

## 15.2.16 SUBADDRESS 0FH

**Table 52** Chrominance gain control; 0FH[7:0]

BIT	DESCRIPTION	SYMBOL	VALUE	FUNCTION
D7	automatic chrominance gain control	ACGC	0	on
			1	programmable gain via CGAIN6 to CGAIN0; need to be set for SECAM standard
D[6:0]	chrominance gain value (if ACGC is set to logic 1)	CGAIN[6:0]	000 0000	minimum gain (0.5)
			010 0100	nominal gain (1.125)
			111 1111	maximum gain (7.5)

PAL/NTSC/SECAM video decoder with adaptive PAL/NTSC  
comb filter, VBI-data slicer and high performance scaler

SAA7114H

## 15.2.17 SUBADDRESS 10H

**Table 53** Chrominance control 2; 10H[7:0]

BIT	DESCRIPTION	SYMBOL	VALUE	FUNCTION
D[7:6]	fine offset adjustment B-Y component	OFFU[1:0]	00	0 LSB
			01	1/4 LSB
			01	1/2 LSB
			11	3/4 LSB
D[5:4]	fine offset adjustment R-Y component	OFFV[1:0]	00	0 LSB
			01	1/4 LSB
			10	1/2 LSB
			11	3/4 LSB
D3	chrominance bandwidth; see Figs 10 and 11	CHBW	0	small
			1	wide
D[2:0]	combined luminance/chrominance bandwidth adjustment; see Figs 10 to 16	LCBW[2:0]	000	smallest chrominance bandwidth/largest luminance bandwidth
			...	... to ...
			111	largest chrominance bandwidth/smallest luminance bandwidth

## 15.2.18 SUBADDRESS 11H

**Table 54** Mode/delay control; 11H[7:0]

BIT	DESCRIPTION	SYMBOL	VALUE	FUNCTION
D7	colour on	COLO	0	automatic colour killer enabled
			1	colour forced on
D6	polarity of RTS1 output signal	RTP1	0	non inverted
			1	inverted
D[5:4]	fine position of HS (steps in 2/LLC)	HDEL[1:0]	00	0
			01	1
			10	2
			11	3
D3	polarity of RTS0 output signal	RTP0	0	non inverted
			1	inverted
D[2:0]	luminance delay compensation (steps in 2/LLC)	YDEL[2:0]	100	-4...
			000	...0...
			011	...3

PAL/NTSC/SECAM video decoder with adaptive PAL/NTSC  
comb filter, VBI-data slicer and high performance scaler

SAA7114H

## 15.2.19 SUBADDRESS 12H

**Table 55** RT signal control: RTS0 output; 12H[3:0]

The polarity of any signal on RTS0 can be inverted via RTP0[11H[3]].

RTS0 OUTPUT	RTSE03	RTSE02	RTSE01	RTSE00
3-state	0	0	0	0
Constant LOW	0	0	0	1
CREF (13.5 MHz toggling pulse; see Fig.23)	0	0	1	0
CREF2 (6.75 MHz toggling pulse; see Fig.23)	0	0	1	1
HL; horizontal lock indicator (note 1): HL = 0: unlocked HL = 1: locked	0	1	0	0
VL; vertical and horizontal lock: VL = 0: unlocked VL = 1: locked	0	1	0	1
DL, vertical and horizontal lock and colour detected: DL = 0: unlocked DL = 1: locked	0	1	1	0
Reserved	0	1	1	1
HREF, horizontal reference signal; indicates 720 pixels valid data on the expansion port. The positive slope marks the beginning of a new active line. HREF is also generated during the vertical blanking interval (see Fig.23).	1	0	0	0
HS: programmable width in LLC8 steps via HSB[7:0]06H[7:0] and HSS[7:0]07H[7:0] fine position adjustment in LLC2 steps via HDEL[1:0]11H[5:4] (see Fig.23)	1	0	0	1
HQ; HREF gated with VGATE	1	0	1	0
Reserved	1	0	1	1
V123; vertical sync (see vertical timing diagrams Figs 21 and 22)	1	1	0	0
VGATE; programmable via VSTA[8:0]17H[0]15H[7:0], VSTO[8:0]17H[1]16H[7:0] and VGPS[17H[2]]	1	1	0	1
LSBs of the 9-bit ADC's	1	1	1	0
FID; position programmable via STA[8:0]17H[0]15H[7:0]; see vertical timing diagrams Figs 21 and 22	1	1	1	1

**Note**

- Function of HL is selectable via HLSEL[13H[3]]:
  - HLSEL = 0: HL is standard horizontal lock indicator.
  - HLSEL = 1: HL is fast horizontal lock indicator (use is not recommended for sources with unstable timebase e.g. VCRs).

**PAL/NTSC/SECAM video decoder with adaptive PAL/NTSC  
comb filter, VBI-data slicer and high performance scaler**

**SAA7114H**

**Table 56** RT signal control: RTS1 output; 12H[7:4]

The polarity of any signal on RTS1 can be inverted via RTP1[11H[6]].

<b>RTS1 OUTPUT</b>	<b>RTSE13</b>	<b>RTSE12</b>	<b>RTSE11</b>	<b>RTSE10</b>
3-state	0	0	0	0
Constant LOW	0	0	0	1
CREF (13.5 MHz toggling pulse; see Fig.23)	0	0	1	0
CREF2 (6.75 MHz toggling pulse; see Fig.23)	0	0	1	1
HL; horizontal lock indicator (note 1): HL = 0: unlocked HL = 1: locked	0	1	0	0
VL; vertical and horizontal lock: VL = 0: unlocked VL = 1: locked	0	1	0	1
DL, vertical and horizontal lock and colour detected: DL = 0: unlocked DL = 1: locked	0	1	1	0
Reserved	0	1	1	1
HREF, horizontal reference signal; indicates 720 pixels valid data on the expansion port. The positive slope marks the beginning of a new active line. HREF is also generated during the vertical blanking interval (see Fig.23).	1	0	0	0
HS: programmable width in LLC8 steps via HSB[7:0]06H[7:0] and HSS[7:0]07H[7:0] fine position adjustment in LLC2 steps via HDEL[1:0]11H[5:4] (see Fig.23)	1	0	0	1
HQ; HREF gated with VGATE	1	0	1	0
Reserved	1	0	1	1
V123; vertical sync (see vertical timing diagrams Figs 21 and 22)	1	1	0	0
VGATE; programmable via VSTA[8:0]17H[0]15H[7:0], VSTO[8:0]17H[1]16H[7:0] and VGPS[17H[2]]	1	1	0	1
LSBs of the 9-bit ADC's	1	1	1	0
FID; position programmable via STA[8:0]17H[0]15H[7:0]; see vertical timing diagrams Figs 21 and 22	1	1	1	1

**Note**

1. Function of HL is selectable via HLSEL[13H[3]]:
  - a) HLSEL = 0: HL is standard horizontal lock indicator.
  - b) HLSEL = 1: HL is fast horizontal lock indicator (use is not recommended for sources with unstable timebase e.g. VCRs).

**PAL/NTSC/SECAM video decoder with adaptive PAL/NTSC  
comb filter, VBI-data slicer and high performance scaler**

SAA7114H

## 15.2.20 SUBADDRESS 13H

**Table 57** RT/X-port output control; 13H[7:0]

BIT	DESCRIPTION	SYMBOL	VALUE	FUNCTION
D7	RTCO output enable	RTCE	0	3-state
			1	enabled
D6	X-port XRH output selection	XRHS	0	HREF (see Fig.23)
			1	HS: programmable width in LLC8 steps via HSB[7:0]06H[7:0] and HSS[7:0]07H[7:0] fine position adjustment in LLC2 steps via HDEL[1:0]11H[5:4] (see Fig.23)
D[5:4]	X-port XRV output selection	XRVS[1:0]	00	V123 (see Figs 21 and 22)
			01	ITU 656 related field ID (see Figs 21 and 22)
			10	inverted V123
			11	inverted ITU 656 related field ID
D3	horizontal lock indicator selection	HLSEL	0	copy of inverted HLCK status bit (default)
			1	fast horizontal lock indicator (for special applications only)
D[2:0]	XPD7 to XPD0 (port output format selection); see Section 9.4	OFTS[2:0]	000	ITU 656
			001	ITU 656 like format with modified field blanking according to VGATE position (programmable via VSTA8 to VSTA0, VSTO8 to VSTO0 and VGPS, subaddresses 15H, 16H and 17H)
			010	YUV 4 : 2 : 2 8-bit format (no SAV/EAV codes inserted)
			011	reserved
			100	multiplexed AD2/AD1 bypass (bits 8 to 1) dependent on mode settings; if both ADCs are selected AD2 is output at CREF = 1 and AD1 is output at CREF = 0
			101	multiplexed AD2/AD1 bypass (bits 7 to 0) dependent on mode settings; if both ADCs are selected AD2 is output at CREF = 1 and AD1 is output at CREF = 0
			110	reserved
			111	multiplexed ADC MSB/LSB bypass dependent on mode settings; only one ADC should be selected at a time; ADx8 to ADx1 are outputs at CREF = 1 and ADx7 to ADx0 are outputs at CREF = 0

PAL/NTSC/SECAM video decoder with adaptive PAL/NTSC  
comb filter, VBI-data slicer and high performance scaler

SAA7114H

## 15.2.21 SUBADDRESS 14H

**Table 58** Analog/ADC/compatibility control; 14H[7:0]

BIT	DESCRIPTION	SYMBOL	VALUE	FUNCTION
D7	compatibility bit for SAA7199	CM99	0	off (default)
			1	on (to be set <b>only</b> if SAA7199 is used for re-encoding <b>in conjunction with RTCO active</b> )
D6	update time interval for AGC value	UPTCV	0	horizontal update (once per line)
			1	vertical update (once per field)
D[5:4]	analog test select	AOSL[1:0]	00	AOUT connected to internal test point 1
			01	AOUT connected to input AD1
			10	AOUT connected to input AD2
			11	AOUT connected to internal test point 2
D3	XTOUT output enable	XTOUTE	0	pin 4 (XTOUT) 3-stated
			1	pin 4 (XTOUT) enabled
D2	decoder status byte selection; see Table 64	OLDSB	0	standard
			1	backward compatibility to SAA7112
D[1:0]	ADC sample clock phase delay	APCK[1:0]	00	application dependent
			01	
			10	
			11	

---

**PAL/NTSC/SECAM video decoder with adaptive PAL/NTSC  
comb filter, VBI-data slicer and high performance scaler**


---

**SAA7114H**

15.2.22 SUBADDRESS 15H

**Table 59** VGATE pulse; FID polarity change; 17H[0] and 15H[7:0]  
Start of VGATE pulse (LOW-to-HIGH transition) and polarity change of FID pulse, VGPS = 0; see Figs 21 and 22.

FIELD		FRAME LINE COUNTING	DECIMAL VALUE	MSB 17H[0]	CONTROL BITS D7 TO D0							
				VSTA8	VSTA7	VSTA6	VSTA5	VSTA4	VSTA3	VSTA2	VSTA1	VSTA0
50 Hz	1st	1	312	1	0	0	1	1	1	0	0	0
	2nd	314										
	1st	2	0...	0	0	0	0	0	0	0	0	0
	2nd	315										
	1st	312	...310	1	0	0	1	1	0	1	1	1
	2nd	625										
60 Hz	1st	4	262	1	0	0	0	0	0	1	1	0
	2nd	267										
	1st	5	0...	0	0	0	0	0	0	0	0	0
	2nd	268										
	1st	265	...260	1	0	0	0	0	0	1	0	1
	2nd	3										

---

**PAL/NTSC/SECAM video decoder with adaptive PAL/NTSC  
comb filter, VBI-data slicer and high performance scaler**


---

**SAA7114H**

15.2.23 SUBADDRESS 16H

**Table 60** VGATE stop; 17H[1] and 16H[7:0]  
Stop of VGATE pulse (HIGH-to-LOW transition), VGPS = 0; see Figs 21 and 22.

FIELD	FRAME LINE COUNTING	DECIMAL VALUE	MSB 17H[1]	CONTROL BITS D7 TO D0									
			VSTO8	VSTO7	VSTO6	VSTO5	VSTO4	VSTO3	VSTO2	VSTO1	VSTO0		
50 Hz	1st	1	312	1	0	0	1	1	1	0	0	0	
	2nd	314											
	1st	2	0...	0	0	0	0	0	0	0	0	0	
	2nd	315											
	1st	312	...310	1	0	0	1	1	0	1	1	1	
	2nd	625											
60 Hz	1st	4	262	1	0	0	0	0	0	0	1	1	0
	2nd	267											
	1st	5	0...	0	0	0	0	0	0	0	0	0	0
	2nd	268											
	1st	265	...260	1	0	0	0	0	0	0	1	0	1
	2nd	3											



**PAL/NTSC/SECAM video decoder with adaptive PAL/NTSC comb filter, VBI-data slicer and high performance scaler**

**SAA7114H**

15.2.24 SUBADDRESS 17H

**Table 61** Miscellaneous/VGATE MSBs; 17H[7:6] and 17H[2:0]

BIT	DESCRIPTION	SYMBOL	VALUE	FUNCTION
D7	LLC output enable	LLCE	0	enable
			1	3-state
D6	LLC2 output enable	LLC2E	0	enable
			1	3-state
D2	alternative VGATE position	VGPS	0	VGATE position according to Tables 59 and 60
			1	VGATE occurs one line earlier during field 2
D1	MSB VGATE stop	VSTO8	see Table 60	
D0	MSB VGATE start	VSTA8	see Table 59	

15.2.25 SUBADDRESS 18H

**Table 62** Raw data gain control; RAWG[7:0]18H[7:0]

See Fig.18.

GAIN	CONTROL BITS D7 TO D0							
	RAWG7	RAWG6	RAWG5	RAWG4	RAWG3	RAWG2	RAWG1	RAWG0
255 (double amplitude)	0	1	1	1	1	1	1	1
128 (nominal level)	0	1	0	0	0	0	0	0
0 (off)	0	0	0	0	0	0	0	0

15.2.26 SUBADDRESS 19H

**Table 63** Raw data offset control; RAWO[7:0]19H[7:0]

See Fig.18.

OFFSET	CONTROL BITS D7 TO D0							
	RAWO7	RAWO6	RAWO5	RAWO4	RAWO3	RAWO2	RAWO1	RAWO0
-128 LSB	0	0	0	0	0	0	0	0
0 LSB	1	0	0	0	0	0	0	0
+128 LSB	1	1	1	1	1	1	1	1

# PAL/NTSC/SECAM video decoder with adaptive PAL/NTSC comb filter, VBI-data slicer and high performance scaler

SAA7114H

## 15.2.27 SUBADDRESS 1FH (READ ONLY REGISTER)

**Table 64** Status byte video decoder; 1FH[7:0]

BIT	DESCRIPTION	I <sup>2</sup> C-BUS CONTROL BIT	OLDSB 14H[2]	VALUE	FUNCTION
D7	status bit for interlace detection	INTL	–	0	non-interlaced
				1	interlaced
D6	status bit for horizontal and vertical loop	HLVLN	0	0	both loops locked
				1	unlocked
	status bit for locked horizontal frequency	HLCK	1	0	locked
				1	unlocked
D5	identification bit for detected field frequency	FIDT	–	0	50 Hz
				1	60 Hz
D4	gain value for active luminance channel is limited; maximum (top)	GLIMT	–	0	not active
				1	active
D3	gain value for active luminance channel is limited; minimum (bottom)	GLIMB	–	0	not active
				1	active
D2	white peak loop is activated	WIPA	–	0	not active
				1	active
D1	copy protected source detected according to macrovision version up to 7.01	COPRO	0	0	not active
				1	active
	slow time constant active in WIPA mode	SLTCA	1	0	not active
				1	active
D0	ready for capture (all internal loops locked)	RDCAP	0	0	not active
				1	active
	colour signal in accordance with selected standard has been detected	CODE	1	0	not active
				1	active

### 15.3 Programming register audio clock generation

See equations in Section 8.6 and examples in Tables 21 and 22.

#### 15.3.1 SUBADDRESSES 30H TO 32H

**Table 65** Audio master clock (AMCLK) cycles per field

SUBADDRESS	CONTROL BITS D7 TO D0							
30H	ACPF7	ACPF6	ACPF5	ACPF4	ACPF3	ACPF2	ACPF1	ACPF0
31H	ACPF15	ACPF14	ACPF13	ACPF12	ACPF11	ACPF10	ACPF9	ACPF8
32H	–	–	–	–	–	–	ACPF17	ACPF16

# PAL/NTSC/SECAM video decoder with adaptive PAL/NTSC comb filter, VBI-data slicer and high performance scaler

SAA7114H

## 15.3.2 SUBADDRESSES 34H TO 36H

**Table 66** Audio master clock (AMCLK) nominal increment

SUBADDRESS	CONTROL BITS D7 TO D0							
34H	ACNI7	ACNI6	ACNI5	ACNI4	ACNI3	ACNI2	ACNI1	ACNI0
35H	ACNI15	ACNI14	ACNI13	ACNI12	ACNI11	ACNI10	ACNI9	ACNI8
36H	–	–	ACNI21	ACNI20	ACNI19	ACNI18	ACNI17	ACNI16

## 15.3.3 SUBADDRESS 38H

**Table 67** Clock ratio AMCLK (audio master clock) to ASCLK (serial bit clock)

SUBADDRESS	CONTROL BITS D7 TO D0							
38H	–	–	SDIV5	SDIV4	SDIV3	SDIV2	SDIV1	SDIV0

## 15.3.4 SUBADDRESS 39H

**Table 68** Clock ratio ASCLK (serial bit clock) to ALRCLK (channel select clock)

SUBADDRESS	CONTROL BITS D7 TO D0							
39H	–	–	LRDIV5	LRDIV4	LRDIV3	LRDIV2	LRDIV1	LRDIV0

## 15.3.5 SUBADDRESS 3AH

**Table 69** Audio clock control; 3AH[3:0]

BIT	DESCRIPTION	SYMBOL	VALUE	FUNCTION
D3	audio PLL modes	APLL	0	PLL active, AMCLK is field-locked
			1	PLL open, AMCLK is free-running
D2	audio master clock vertical reference	AMVR	0	vertical reference pulse is taken from internal decoder
			1	vertical reference is taken from XRV input (expansion port)
D1	ALRCLK phase	LRPH	0	ALRCLK edges triggered by falling edges of ASCLK
			1	ALRCLK edges triggered by rising edges of ASCLK
D0	ASCLK phase	SCPH	0	ASCLK edges triggered by falling edges of AMCLK
			1	ASCLK edges triggered by rising edges of AMCLK

## 15.4 Programming register VBI-data slicer

### 15.4.1 SUBADDRESS 40H

**Table 70** Slicer control 1; 40H[6:4]

BIT	DESCRIPTION	SYMBOL	VALUE	FUNCTION
D6	Hamming check	HAM_N	0	<b>Hamming check for 2 bytes after framing code, dependent on data type (default)</b>
			1	no Hamming check
D5	framing code error	FCE	0	one framing code error allowed
			1	no framing code errors allowed
D4	amplitude searching	HUNT_N	0	<b>amplitude searching active (default)</b>
			1	amplitude searching stopped

# PAL/NTSC/SECAM video decoder with adaptive PAL/NTSC comb filter, VBI-data slicer and high performance scaler

SAA7114H

## 15.4.2 SUBADDRESSES 41H TO 57H

**Table 71** Line control register; LCR2 to LCR24 (41H to 57H)

See Sections 8.2 and 8.4.

NAME	DESCRIPTION	FRAMING CODE	D[7:4] (41H TO 57H)	D[3:0] (41H TO 57H)
			DT[3:0]62H[3:0] (FIELD 1)	DT[3:0]62H[3:0] (FIELD 2)
WST625	teletext EuroWST, CCST	27H	0000	0000
CC625	European closed caption	001	0001	0001
VPS	video programming service	9951H	0010	0010
WSS	wide screen signalling bits	1E3C1FH	0011	0011
WST525	US teletext (WST)	27H	0100	0100
CC525	US closed caption (line 21)	001	0101	0101
Test line	video component signal, VBI region	–	0110	0110
Intercast	raw data	–	0111	0111
General text	teletext	programmable	1000	1000
VITC625	VITC/EBU time codes (Europe)	programmable	1001	1001
	VITC/SMPTE time codes (USA)	programmable	1010	1010
Reserved	reserved	–	1011	1011
NABTS	US NABTS	–	1100	1100
Japtext	MOJI (Japanese)	programmable (A7H)	1101	1101
JFS	Japanese format switch (L20/22)	programmable	1110	1110
Active video	<b>video component signal, active video region (default)</b>	–	1111	1111

## 15.4.3 SUBADDRESS 58H

**Table 72** Programmable framing code; slicer set 58H[7:0]

According to Tables 14 and 71.

FRAMING CODE FOR PROGRAMMABLE DATA TYPES	CONTROL BITS D7 TO D0
Default value	FC[7:0] = 40H

## 15.4.4 SUBADDRESS 59H

**Table 73** Horizontal offset for slicer; slicer set 59H and 5BH

HORIZONTAL OFFSET	CONTROL BITS D[2:0]5BH[2:0]	CONTROL BITS D[7:0]59H[7:0]
Recommended value	HOFF[10:8] = 3H	HOFF[7:0] = 47H

# PAL/NTSC/SECAM video decoder with adaptive PAL/NTSC comb filter, VBI-data slicer and high performance scaler

SAA7114H

## 15.4.5 SUBADDRESS 5AH

**Table 74** Vertical offset for slicer; slicer set 5AH and 5BH

VERTICAL OFFSET	CONTROL BIT D[4]5BH[4]	CONTROL BITS D[7:0]5AH[7:0]
	VOFF8	VOFF[7:0]
Minimum value 0	0	00H
Maximum value 312	1	38H
Value for 50 Hz 625 lines input	0	03H
Value for 60 Hz 525 lines input	0	06H

## 15.4.6 SUBADDRESS 5BH

**Table 75** Field offset, and MSBs for horizontal and vertical offsets; slicer set 5BH[7:6]

See Sections 15.4.4 and 15.4.5 for HOFF[10:8]5BH[2:0] and VOFF8[5BH[4]].

BIT	DESCRIPTION	SYMBOL	VALUE	FUNCTION
D7	field offset	FOFF	0	no modification of internal field indicator (default for 50 Hz 625 lines input sources)
			1	invert field indicator (default for 60 Hz 525 lines input sources)
D6	recode	RECODE	0	<b>let data unchanged (default)</b>
			1	convert 00H and FFH data bytes into 03H and FCH

## 15.4.7 SUBADDRESS 5DH

**Table 76** Header and data identification (DID; ITU 656) code control; slicer set 5DH[7:0]

BIT	DESCRIPTION	SYMBOL	VALUE	FUNCTION
D7	field ID and V-blank selection for text output (F and V reference selection)	FVREF	0	F and V output of slicer is LCR table dependent
			1	F and V output is taken from decoder real time signals EVEN_CCIR and VBLNK_CCIR
D[5:0]	<b>default; DID[5:0] = 00H</b>	DID[5:0]	00 0000	<b>ANC header framing</b> ; see Fig.30 and Table 20
	special cases of DID programming		11 1110	DID[5:0] = 3EH SAV/EAV framing, with FVREF = 1
			11 1111	DID[5:0] = 3FH SAV/EAV framing, with FVREF = 0

## 15.4.8 SUBADDRESS 5EH

**Table 77** Sliced data identification (SDID) code; slicer set 5EH[5:0]

BIT	DESCRIPTION	SYMBOL	VALUE	FUNCTION
D[5:0]	SDID codes	SDID[5:0]	00H	<b>default</b>

# PAL/NTSC/SECAM video decoder with adaptive PAL/NTSC comb filter, VBI-data slicer and high performance scaler

SAA7114H

## 15.4.9 SUBADDRESS 60H (READ-ONLY REGISTER)

**Table 78** Slicer status byte 0; 60H[6:2]

BIT	DESCRIPTION	SYMBOL	VALUE	FUNCTION
D6	framing code valid	FC8V	0	no framing code (0 error) in the last frame detected
			1	framing code with 0 error detected
D5	framing code valid	FC7V	0	no framing code (1 error) in the last frame detected
			1	framing code with 1 error detected
D4	VPS valid	VPSV	0	no VPS in the last frame
			1	VPS detected
D3	PALplus valid	PPV	0	no PALplus in the last frame
			1	PALplus detected
D2	close caption valid	CCV	0	no closed caption in the last frame
			1	closed caption detected

## 15.4.10 SUBADDRESSES 61H AND 62H (READ-ONLY REGISTERS)

**Table 79** Slicer status byte 1; 61H[5:0] and slicer status byte 2; 62H[7:0]

SUBADDRESS	BIT	SYMBOL	DESCRIPTION
61H	D5	F21_N	field ID as seen by the VBI slicer; for field 1: D5 = 0
	D[4:0]	LN[8:4]	line number
62H	D[7:4]	LN[3:0]	
	D[3:0]	DT[3:0]	data type; according to Table 14

## 15.5 Programming register interfaces and scaler part

### 15.5.1 SUBADDRESS 80H

**Table 80** Global control 1; global set 80H[3:0]

X = don't care.

I-PORT AND SCALER BACK-END CLOCK SELECTION	CONTROL BITS D3 TO D0			
	ICKS3	ICKS2	ICKS1	ICKS0
ICLK output and back-end clock is line-locked clock LLC from decoder	X	X	0	0
ICLK output and back-end clock is XCLK from X-port	X	X	0	1
ICLK output is LLC and back-end clock is LLC2 clock	X	X <sup>(1)</sup>	1	0
Back-end clock is the ICLK input	X	X	1	1
IDQ pin carries the data qualifier	X	0	X	X
IDQ pin carries a gated back-end clock (IDQ AND CLK)	X	1	X	X
IDQ generation only for valid data	0	X	X	X
IDQ qualifies valid data inside the scaling region and all data outside the scaling region	1	X	X	X

### Note

1. Although the ICLKO I/O is independent of ICKS2 and ICKS3, this selection can only be used if ICKS2 = 1.

# PAL/NTSC/SECAM video decoder with adaptive PAL/NTSC comb filter, VBI-data slicer and high performance scaler

SAA7114H

**Table 81** Global control 1; global set 80H[6:4]

SWRST moved to subaddress 88H[5]; X = don't care.

TASK ENABLE CONTROL	CONTROL BITS D6 TO D4		
	SMOD	TEB	TEA
Task of register set A is disabled	X	X	0
Task of register set A is enabled	X	X	1
Task of register set B is disabled	X	0	X
Task of register set B is enabled	X	1	X
The scaler window defines the F and V timing of the scaler output	0	X	X
VBI-data slicer defines the F and V timing of the scaler output	1	X	X

## 15.5.2 SUBADDRESSES 83H TO 87H

**Table 82** X-port I/O enable and output clock phase control; global set 83H[5:4]

OUTPUT CLOCK PHASE CONTROL	CONTROL BITS D5 AND D4	
	XPCCK1	XPCCK0
<b>XCLK default output phase, recommended value</b>	0	0
XCLK output inverted	0	1
XCLK phase shifted by about 3 ns	1	0
XCLK output inverted and shifted by about 3 ns	1	1

**Table 83** X-port I/O enable and output clock phase control; global set 83H[2:0]

X = don't care.

X-PORT I/O ENABLE	CONTROL BITS D2 TO D0		
	XRQT	XPE1	XPE0
X-port output is disabled by software	X	0	0
X-port output is enabled by software	X	0	1
X-port output is enabled by pin XTRI at logic 0	X	1	0
X-port output is enabled by pin XTRI at logic 1	X	1	1
XRDY output signal is A/B task flag from event handler (A = 1)	0	X	X
XRDY output signal is ready signal from scaler path (XRDY = 1 means SAA7114H is ready to receive data)	1	X	X

PAL/NTSC/SECAM video decoder with adaptive PAL/NTSC  
comb filter, VBI-data slicer and high performance scaler

SAA7114H

**Table 84** I-port output signal definitions; global set 84H[3:0]

X = don't care.

I-PORT OUTPUT SIGNAL DEFINITIONS	CONTROL BITS D3 TO D0			
	IDV1	IDV0	IDH1	IDH0
IGPH is a H-gate signal, framing the scaler output	X	X	0	0
IGPH is an extended H-gate (framing H-gate during scaler output and scaler input H-reference outside the scaler window)	X	X	0	1
IGPH is a horizontal trigger pulse, on active going edge of H-gate	X	X	1	0
IGPH is a horizontal trigger pulse, on active going edge of extended H-gate	X	X	1	1
IGPV is a V-gate signal, framing scaled output lines	0	0	X	X
IGPV is the reference signal from scaler input	0	1	X	X
IGPV is a vertical trigger pulse, derived from V-gate	1	0	X	X
IGPV is a vertical trigger pulse derived from input V-reference	1	1	X	X

**Table 85** I-port signal definitions; global set 84H[5:4] and 86H[4]

I-PORT SIGNAL DEFINITIONS	CONTROL BITS		
	86H[4]	84H[5:4]	
	IDG12	IDG11	IDG10
IGP1 is output field ID, as defined by OFIDC[90H[6]]	0	0	0
IGP1 is A/B task flag, as defined by CONLH[90H[7]]	0	0	1
IGP1 is sliced data flag, framing the sliced VBI-data at the I-port	0	1	0
<b>IGP1 is set to logic 0 (default polarity)</b>	0	1	1
IGP1 is the output FIFO almost filled flag	1	0	0
IGP1 is the output FIFO overflow flag	1	0	1
IGP1 is the output FIFO almost full flag, level to be programmed in subaddress 86H	1	1	0
IGP1 is the output FIFO almost empty flag, level to be programmed in subaddress 86H	1	1	1



PAL/NTSC/SECAM video decoder with adaptive PAL/NTSC  
comb filter, VBI-data slicer and high performance scaler

SAA7114H

**Table 86** I-port signal definitions; global set 84H[7:6] and 86H[5]

I-PORT SIGNAL DEFINITIONS	CONTROL BITS		
	86H[5]	84H[7:6]	
	IDG02	IDG01	IDG00
IGP0 is output field ID, as defined by OFIDC[90H[6]]	0	0	0
IGP0 is A/B task flag, as defined by CONLH[90H[7]]	0	0	1
IGP0 is sliced data flag, framing the sliced VBI-data at the I-port	0	1	0
<b>IGP0 is set to logic 0 (default polarity)</b>	0	1	1
IGP0 is the output FIFO almost filled flag	1	0	0
IGP0 is the output FIFO overflow flag	1	0	1
IGP0 is the output FIFO almost full flag, level to be programmed in subaddress 86H	1	1	0
IGP0 is the output FIFO almost empty flag, level to be programmed in subaddress 86H	1	1	1

**Table 87** I-port reference signal polarities; global set 85H[4:0]

X = don't care.

I-PORT REFERENCE SIGNAL POLARITIES	CONTROL BITS D4 TO D0				
	IGP0P	IGP1P	IGVP	IGHP	IDQP
IDQ at default polarity (1 = active)	X	X	X	X	0
IDQ is inverted	X	X	X	X	1
IGPH at default polarity (1 = active)	X	X	X	0	X
IGPH is inverted	X	X	X	1	X
IGPV at default polarity (1 = active)	X	X	0	X	X
IGPV is inverted	X	X	1	X	X
IGP1 at default polarity	X	0	X	X	X
IGP1 is inverted	X	1	X	X	X
IGP0 at default polarity	0	X	X	X	X
IGP0 is inverted	1	X	X	X	X

**Table 88** X-port signal definitions text slicer; global set 85H[7:5]

X = don't care.

X-PORT SIGNAL DEFINITIONS TEXT SLICER	CONTROL BITS D7 TO D5		
	ISWP1	ISWP0	ILLV
Video data limited to range 1 to 254	X	X	0
Video data limited to range 8 to 247	X	X	1
Dword byte swap, influences serial output timing D0 D1 D2 D3 ⇒ FF 00 00 SAV C <sub>B0</sub> Y0 C <sub>R0</sub> Y1	0	0	X
D1 D0 D3 D2 ⇒ 00 FF SAV 00 Y0 C <sub>B0</sub> Y1 C <sub>R0</sub>	0	1	X
D2 D3 D0 D1 ⇒ 00 SAV FF 00 C <sub>R0</sub> Y1 C <sub>B0</sub> Y0	1	0	X
D3 D2 D1 D0 ⇒ SAV 00 00 FF Y1 C <sub>R0</sub> Y0 C <sub>B0</sub>	1	1	X

PAL/NTSC/SECAM video decoder with adaptive PAL/NTSC  
comb filter, VBI-data slicer and high performance scaler

SAA7114H

**Table 89** I-port FIFO flag control and arbitration; global set 86H[3:0]

X = don't care.

I-PORT FIFO FLAG CONTROL AND ARBITRATION	CONTROL BITS D3 TO D0			
	FFL1	FFL0	FEL1	FEL0
FAE FIFO flag almost empty level				
<16 Dwords	X	X	0	0
<8 Dwords	X	X	0	1
<4 Dwords	X	X	1	0
0 Dwords	X	X	1	1
FAF FIFO flag almost full level				
≥16 Dwords	0	0	X	X
≥24 Dwords	0	1	X	X
≥28 Dwords	1	0	X	X
32 Dwords	1	1	X	X

**Table 90** I-port FIFO flag control and arbitration; global set 86H[7:4]

X = don't care.

FUNCTION	CONTROL BITS D7 TO D4			
	VITX1	VITX0	IDG02	IDG12
See subaddress 84H: IDG11 and IDG10	X	X	X	0
	X	X	X	1
See subaddress 84H: IDG01 and IDG00	X	X	0	X
	X	X	1	X
<b>I-port signal definitions</b>				
I-port data output inhibited	0	0	X	X
Only video data are transferred	0	1	X	X
Only text data are transferred (no EAV, SAV will occur)	1	0	X	X
Text and video data are transferred, text has priority	1	1	X	X

PAL/NTSC/SECAM video decoder with adaptive PAL/NTSC  
comb filter, VBI-data slicer and high performance scaler

SAA7114H

**Table 91** I-port I/O enable, output clock and gated clock phase control; global set 87H[7:4]

OUTPUT CLOCK AND GATED CLOCK PHASE CONTROL	CONTROL BITS D7 TO D4 <sup>(1)</sup>			
	IPCK3 <sup>(2)</sup>	IPCK2 <sup>(2)</sup>	IPCK1	IPCK0
ICLK default output phase	X	X	0	0
ICLK phase shifted by 1/2 clock cycle ⇒ recommended for ICKS1 = 1 and ICKS0 = 0 (subaddress 80H)	X	X	0	1
ICLK phase shifted by about 3 ns	X	X	1	0
ICLK phase shifted by 1/2 clock cycle + about 3 ns ⇒ alternatively to setting '01'	X	X	1	1
IDQ = gated clock default output phase	0	0	X	X
IDQ = gated clock phase shifted by 1/2 clock cycle ⇒ recommended for gated clock output	0	1	X	X
IDQ = gated clock phase shifted by about 3 ns	1	0	X	X
IDQ = gated clock phase shifted by 1/2 clock cycle + about 3 ns ⇒ alternatively to setting '01'	1	1	X	X

**Notes**

1. X = don't care.
2. IPCK3 and IPCK2 only affects the gated clock (subaddress 80H, bit ICKS2 = 1).

**Table 92** I-port I/O enable, output clock and gated clock phase control; global set 87H[1:0]

I-PORT I/O ENABLE	CONTROL BITS D1 AND D0	
	IPE1	IPE0
I-port output is disabled by software	0	0
I-port output is enabled by software	0	1
I-port output is enabled by pin ITR1 at logic 0	1	0
I-port output is enabled by pin ITR1 at logic 1	1	1

## 15.5.3 SUBADDRESS 88H

**Table 93** Power save control; global set 88H[3] and 88H[1:0]

X = don't care.

POWER SAVE CONTROL	CONTROL BITS		
	88H[3]	88H[1:0]	
	SLM3	SLM1	SLM0
Decoder and VBI slicer are in operational mode	X	X	0
Decoder and VBI slicer are in power-down mode; scaler only operates, if scaler input and ICLK source is the X-port (refer to subaddresses 80H and 91H/C1H)	X	X	1
Scaler is in operational mode	X	0	X
Scaler is in power-down mode; scaler in power-down stops I-port output	X	1	X
Audio clock generation active	0	X	X
Audio clock generation in power-down and output disabled	1	X	X

PAL/NTSC/SECAM video decoder with adaptive PAL/NTSC  
comb filter, VBI-data slicer and high performance scaler

SAA7114H

**Table 94** Power save control; global set 88H[7:4]

POWER SAVE CONTROL	CONTROL BITS D7 TO D4 <sup>(1)</sup>			
	CH4EN	CH2EN	SWRST <sup>(2)</sup>	DPROG
DPROG = 0 after reset	X	X	X	0
DPROG = 1 can be used to assign that the device has been programmed; this bit can be monitored in the scalers status byte, bit PRDON; if DPROG was set to logic 1 and PRDON status bit shows a logic 0 a power- or start-up fail has occurred	X	X	X	1
Scaler path is reset to it's idle state, software reset	X	X	0	X
Scaler is switched back to operation	X	X	1	X
AD1x analog channel is in power-down mode	X	0	X	X
AD1x analog channel is active	X	1	X	X
AD2x analog channel is in power-down mode	0	X	X	X
AD2x analog channel is active	1	X	X	X

**Notes**

1. X = don't care.
2. Bit SWRST is now located here.

## 15.5.4 SUBADDRESS 8FH (READ-ONLY REGISTER)

**Table 95** Status information scaler part; 8FH[7:0]

BIT	I2C-BUS STATUS BIT	FUNCTION <sup>(1)</sup>
D7	XTRI	status on input pin XTRI, if not used for 3-state control, usable as hardware flag for software use
D6	ITRI	status on input pin ITRI, if not used for 3-state control, usable as hardware flag for software use
D5	FFIL	status of the internal 'FIFO almost filled' flag
D4	FFOV	status of the internal 'FIFO overflow' flag
D3	PRDON	copy of bit DPROG, can be used to detect power-up and start-up fails
D2	ERR_OF	error flag of scalers output formatter, normally set, if the output processing needs to be interrupted, due to input/output data rate conflicts, e.g. if output data rate is much too low and all internal FIFO capacity used
D1	FIDSCI	status of the field sequence ID at the scalers input
D0	FIDSCO	status of the field sequence ID at the scalers output, scaler processing dependent

**Note**

1. Status information is unsynchronized and shows the actual status at the time of I<sup>2</sup>C-bus read.

PAL/NTSC/SECAM video decoder with adaptive PAL/NTSC  
comb filter, VBI-data slicer and high performance scaler

SAA7114H

## 15.5.5 SUBADDRESSES 90H AND C0H

**Table 96** Task handling control; register set A (90H[2:0]) and B (C0H[2:0])

X = don't care.

EVENT HANDLER CONTROL	CONTROL BITS D2 TO D0		
	RPTSK	STRC1	STRC0
Event handler triggers immediately after finishing a task	X	0	0
Event handler triggers with next V-sync	X	0	1
Event handler triggers with field ID = 0	X	1	0
Event handler triggers with field ID = 1	X	1	1
If active task is finished, handling is taken over by the next task	0	X	X
Active task is repeated once, before handling is taken over by the next task	1	X	X

**Table 97** Task handling control; register set A (90H[5:3]) and B (C0H[5:3])

EVENT HANDLER CONTROL	CONTROL BITS D5 TO D3		
	FSKP2	FSKP1	FSKP0
Active task is carried out directly	0	0	0
1 field is skipped before active task is carried out	0	0	1
... fields are skipped before active task is carried out	...	...	...
6 fields are skipped before active task is carried out	1	1	0
7 fields are skipped before active task is carried out	1	1	1

**Table 98** Task handling control; register set A (90H[7:6]) and B (C0H[7:6])

X = don't care.

EVENT HANDLER CONTROL	CONTROL BITS D7 AND D6	
	CONLH	OFIDC
Output field ID is field ID from scaler input	X	0
Output field ID is task status flag, which changes every time an selected task is activated (not synchronized to input field ID)	X	1
<b>Scaler SAV/EAV byte bit D7 and task flag = 1, default</b>	0	X
Scaler SAV/EAV byte bit D7 and task flag = 0	1	X

# PAL/NTSC/SECAM video decoder with adaptive PAL/NTSC comb filter, VBI-data slicer and high performance scaler

SAA7114H

## 15.5.6 SUBADDRESSES 91H TO 93H

**Table 99** X-port formats and configuration; register set A (91H[2:0]) and B (C1H[2:0])

SCALER INPUT FORMAT AND CONFIGURATION FORMAT CONTROL	CONTROL BITS D2 TO D0 <sup>(1)</sup>		
	FSC2 <sup>(2)</sup>	FSC1 <sup>(2)</sup>	FSC0
Input is YUV 4 : 2 : 2 like sampling scheme	X	X	0
Input is YUV 4 : 1 : 1 like sampling scheme	X	X	1
<b>Chroma is provided every line, default</b>	0	0	X
Chroma is provided every 2nd line	0	1	X
Chroma is provided every 3rd line	1	0	X
Chroma is provided every 4th line	1	1	X

### Notes

1. X = don't care.
2. FSC2 and FSC1 only to be used, if X-port input source don't provide chroma information for every input line. X-port input stream must contain dummy chroma bytes.

**Table 100** X-port formats and configuration; register set A (91H[7:3]) and B (C1H[7:3])

X = don't care.

SCALER INPUT FORMAT AND CONFIGURATION SOURCE SELECTION	CONTROL BITS D7 TO D3				
	CONLV	HLDFV	SCSRC1	SCSRC0	SCRQE
Only if XRQT[83H[2]] = 1: scaler input source reacts on SAA7114H request	X	X	X	X	0
Scaler input source is a continuous data stream, which cannot be interrupted (must be logic 1, if SAA7114H decoder part is source of scaler or XRQT[83H[2]] = 0)	X	X	X	X	1
Scaler input source is data from decoder, data type is provided according to Table 14	X	X	0	0	X
Scaler input source is YUV data from X-port	X	X	0	1	X
Scaler input source is raw digital CVBS from selected analog channel, for backward compatibility only, further use is not recommended	X	X	1	0	X
Scaler input source is raw digital CVBS (or 16-bit Y + UV, if no 16-bit output are active) from X-port	X	X	1	1	X
SAV/EAV code bits D6 and D5 (F and V) may change between SAV and EAV	X	0	X	X	X
SAV/EAV code bits D6 and D5 (F and V) are synchronized to scalers output line start	X	1	X	X	X
SAV/EAV code bit D5 (V) and V-gate on pin IGPV as generated by the internal processing, see Fig.36	0	X	X	X	X
SAV/EAV code bit D5 (V) and V-gate are inverted	1	X	X	X	X

**PAL/NTSC/SECAM video decoder with adaptive PAL/NTSC  
comb filter, VBI-data slicer and high performance scaler**

SAA7114H

**Table 101** X-port input reference signal definitions; register set A (92H[3:0]) and B (C2H[3:0])

X = don't care.

X-PORT INPUT REFERENCE SIGNAL DEFINITIONS	CONTROL BITS D3 TO D0			
	XCODE	XDH	XDQ	XCKS
XCLK input clock and XDQ input qualifier are needed	X	X	X	0
Data rate is defined by XCLK only, no XDQ signal used	X	X	X	1
Data are qualified at XDQ input at logic 1	X	X	0	X
Data are qualified at XDQ input at logic 0	X	X	1	X
Rising edge of XRH input is horizontal reference	X	0	X	X
Falling edge of XRH input is horizontal reference	X	1	X	X
Reference signals are taken from XRH and XRV	0	X	X	X
Reference signals are decoded from EAV and SAV	1	X	X	X

**Table 102** X-port input reference signal definitions; register set A (92H[7:4]) and B (C2H[7:4])

X = don't care.

SCALER INPUT REFERENCE SIGNAL DEFINITIONS	CONTROL BITS D7 TO D4			
	XFDV	XFDH	XDV1	XDV0
Rising edge of XRV input and decoder V123 is vertical reference	X	X	X	0
Falling edge of XRV input and decoder V123 is vertical reference	X	X	X	1
XRV is a V-sync or V-gate signal	X	X	0	X
XRV is a frame sync, V-pulses are generated internally on both edges of FS input	X	X	1	X
X-port field ID is state of XRH at reference edge on XRV (defined by XFDV)	X	0	X	X
Field ID (decoder and X-port field ID) is inverted	X	1	X	X
Reference edge for field detection is falling edge of XRV	0	X	X	X
Reference edge for field detection is rising edge of XRV	1	X	X	X

**PAL/NTSC/SECAM video decoder with adaptive PAL/NTSC  
comb filter, VBI-data slicer and high performance scaler**

**SAA7114H**

**Table 103** I-port output format and configuration; register set A (93H[4:0]) and B (C3H[4:0])

X = don't care.

I-PORT OUTPUT FORMAT AND CONFIGURATION	CONTROL BITS D4 TO D0				
	FOI1	FOI0	FSI2	FSI1	FSI0
4 : 2 : 2 Dword formatting	X	X	0	0	0
4 : 1 : 1 Dword formatting	X	X	0	0	1
4 : 2 : 0, only every 2nd line Y + UV output, in between Y only output	X	X	0	1	0
4 : 1 : 0, only every 4th line Y + UV output, in between Y only output	X	X	0	1	1
Y only	X	X	1	0	0
Not defined	X	X	1	0	1
Not defined	X	X	1	1	0
Not defined	X	X	1	1	1
No leading Y only line, before 1st Y + UV line is output	0	0	X	X	X
1 leading Y only line, before 1st Y + UV line is output	0	1	X	X	X
2 leading Y only lines, before 1st Y + UV line is output	1	0	X	X	X
3 leading Y only lines, before 1st Y + UV line is output	1	1	X	X	X

**Table 104** I-port output format and configuration; register set A (93H[7:5]) and B (C3H[7:5])

X = don't care.

I-PORT OUTPUT FORMAT AND CONFIGURATION	CONTROL BITS D7 TO D5		
	ICODE	I8_16	FYSK
All lines will be output	X	X	0
Skip the number of leading Y only lines, as defined by FOI1 and FOI0	X	X	1
Dwords are transferred byte wise, see subaddress 85H bits ISWP1 and ISWP0	X	0	X
Dwords are transferred 16-bit word wise via IPD and HPD, see subaddress 85H bits ISWP1 and ISWP0	X	1	X
No ITU 656 like SAV/EAV codes are available	0	X	X
ITU 656 like SAV/EAV codes are inserted in the output data stream, framed by a qualifier	1	X	X



PAL/NTSC/SECAM video decoder with adaptive PAL/NTSC  
comb filter, VBI-data slicer and high performance scaler

SAA7114H

## 15.5.7 SUBADDRESSES 94H TO 9BH

**Table 105** Horizontal input window start; register set A (94H[7:0]; 95H[3:0]) and B (C4H[7:0]; C5H[3:0])

HORIZONTAL INPUT ACQUISITION WINDOW DEFINITION OFFSET IN X (HORIZONTAL) DIRECTION <sup>(1)</sup>	CONTROL BITS											
	A(95H[3:0]) B(C5H[3:0])				A(94H[7:0]) B(C4H[7:0])							
	XO11	XO10	XO9	XO8	XO7	XO6	XO5	XO4	XO3	XO2	XO1	XO0
A minimum of '2' should be kept, due to a line counting mismatch	0	0	0	0	0	0	0	0	0	0	1	0
Odd offsets are changing the UV sequence in the output stream to VU sequence	0	0	0	0	0	0	0	0	0	0	1	1
Maximum possible pixel offset = 4095	1	1	1	1	1	1	1	1	1	1	1	1

**Note**

- Reference for counting are luminance samples.

**Table 106** Horizontal input window length; register set A (96H[7:0]; 97H[3:0]) and B (C6H[7:0]; C7H[3:0])

HORIZONTAL INPUT ACQUISITION WINDOW DEFINITION INPUT WINDOW LENGTH IN X (HORIZONTAL) DIRECTION <sup>(1)</sup>	CONTROL BITS											
	A (97H[3:0]) B (C7H[3:0])				A(96H[7:0]) B(C6H[7:0])							
	XS11	XS10	XS9	XS8	XS7	XS6	XS5	XS4	XS3	XS2	XS1	XS0
No output	0	0	0	0	0	0	0	0	0	0	0	0
Odd lengths are allowed, but will be rounded up to even lengths	0	0	0	0	0	0	0	0	0	0	0	1
Maximum possible number of input pixels = 4095	1	1	1	1	1	1	1	1	1	1	1	1

**Note**

- Reference for counting are luminance samples.

**Table 107** Vertical input window start; register set A (98H[7:0]; 99H[3:0]) and B (C8H[7:0]; C9H[3:0])

VERTICAL INPUT ACQUISITION WINDOW DEFINITION OFFSET IN Y (VERTICAL) DIRECTION <sup>(1)</sup>	CONTROL BITS											
	A(98H[3:0]) B(C8H[3:0])				A(98H[7:0]) B(C8H[7:0])							
	YO11	YO10	YO9	YO8	YO7	YO6	YO5	YO4	YO3	YO2	YO1	YO0
Line offset = 0	0	0	0	0	0	0	0	0	0	0	0	0
Line offset = 1	0	0	0	0	0	0	0	0	0	0	0	1
Maximum line offset = 4095	1	1	1	1	1	1	1	1	1	1	1	1

**Note**

- For trigger condition: STRC[1:0]90H[1:0] = 00; YO + YS > (number of input lines per field – 2), will result in field dropping. Other trigger conditions: YO > (number of input lines per field – 2), will result in field dropping.

PAL/NTSC/SECAM video decoder with adaptive PAL/NTSC  
comb filter, VBI-data slicer and high performance scaler

SAA7114H

**Table 108** Vertical input window length; register set A (9AH[7:0]; 9BH[3:0]) and B (CAH[7:0]; CBH[3:0])

VERTICAL INPUT ACQUISITION WINDOW DEFINITION INPUT WINDOW LENGTH IN Y (VERTICAL) DIRECTION <sup>(1)</sup>	CONTROL BITS											
	A(9BH[3:0]) B(CBH[3:0])				A(9AH[7:0]) B(CAH[7:0])							
	YS11	YS10	YS9	YS8	YS7	YS6	YS5	YS4	YS3	YS2	YS1	YS0
No input lines	0	0	0	0	0	0	0	0	0	0	0	0
1 input line	0	0	0	0	0	0	0	0	0	0	0	1
Maximum possible number of input lines = 4095	1	1	1	1	1	1	1	1	1	1	1	1

**Note**

- For trigger condition: STRC[1:0]90H[1:0] = 00; YO + YS > (number of input lines per field – 2), will result in field dropping. Other trigger conditions: YS > (number of input lines per field – 2), will result in field dropping.

## 15.5.8 SUBADDRESSES 9CH TO 9FH

**Table 109** Horizontal output window length; register set A (9CH[7:0]; 9DH[3:0]) and B (CCH[7:0]; CDH[3:0])

HORIZONTAL OUTPUT ACQUISITION WINDOW DEFINITION NUMBER OF DESIRED OUTPUT PIXEL IN X (HORIZONTAL) DIRECTION <sup>(1)</sup>	CONTROL BITS											
	A(9DH[3:0]) B(CDH[3:0])				A(9CH[7:0]) B(CCH[7:0])							
	XD11	XD10	XD9	XD8	XD7	XD6	XD5	XD4	XD3	XD2	XD1	XD0
No output	0	0	0	0	0	0	0	0	0	0	0	0
Odd lengths are allowed, but will be filled up to even lengths	0	0	0	0	0	0	0	0	0	0	0	1
Maximum possible number of input pixels = 4095; note 2	1	1	1	1	1	1	1	1	1	1	1	1

**Notes**

- Reference for counting are luminance samples.
- If the desired output length is greater than the number of scaled output pixels, the last scaled pixel is repeated.

**Table 110** Vertical output window length; register set A (9EH[7:0]; 9FH[3:0]) and B (CEH[7:0]; CFH[3:0])

VERTICAL OUTPUT ACQUISITION WINDOW DEFINITION NUMBER OF DESIRED OUTPUT LINES IN Y (VERTICAL) DIRECTION	CONTROL BITS											
	A(9FH[3:0]) B(CFH[3:0])				A(9EH[7:0]) B(CEH[7:0])							
	YD11	YD10	YD9	YD8	YD7	YD6	YD5	YD4	YD3	YD2	YD1	YD0
No output	0	0	0	0	0	0	0	0	0	0	0	0
1 pixel	0	0	0	0	0	0	0	0	0	0	0	1
Maximum possible number of output lines = 4095; note 1	1	1	1	1	1	1	1	1	1	1	1	1

**Note**

- If the desired output length is greater than the number of scaled output lines, the processing is cut.

PAL/NTSC/SECAM video decoder with adaptive PAL/NTSC  
comb filter, VBI-data slicer and high performance scaler

SAA7114H

## 15.5.9 SUBADDRESSES A0H TO A2H

**Table 111** Horizontal prescaling; register set A (A0H[5:0]) and B (D0H[5:0])

HORIZONTAL INTEGER PRESCALING RATIO (XPSC)	CONTROL BITS D5 TO D0					
	XPSC5	XPSC4	XPSC3	XPSC2	XPSC1	XPSC0
Not allowed	0	0	0	0	0	0
Down-scale = 1	0	0	0	0	0	1
Down-scale = $\frac{1}{2}$	0	0	0	0	1	0
...	...	...	...	...	...	...
Down-scale = $\frac{1}{63}$	1	1	1	1	1	1

**Table 112** Accumulation length; register set A (A1H[5:0]) and B (D1H[5:0])

HORIZONTAL PRESCALER ACCUMULATION SEQUENCE LENGTH (XACL)	CONTROL BITS D5 TO D0					
	XACL5	XACL4	XACL3	XACL2	XACL1	XACL0
Accumulation length = 1	0	0	0	0	0	0
Accumulation length = 2	0	0	0	0	0	1
...	...	...	...	...	...	...
Accumulation length = 64	1	1	1	1	1	1

**Table 113** Prescaler DC gain and FIR prefilter control; register set A (A2H[3:0]) and B (D2H[3:0])

X = don't care.

PRESCALER DC GAIN	CONTROL BITS D3 TO D0			
	XC2_1	XDCG2	XDCG1	XDCG0
Prescaler output is renormalized by gain factor = 1	X	0	0	0
Prescaler output is renormalized by gain factor = $\frac{1}{2}$	X	0	0	1
Prescaler output is renormalized by gain factor = $\frac{1}{4}$	X	0	1	0
Prescaler output is renormalized by gain factor = $\frac{1}{8}$	X	0	1	1
Prescaler output is renormalized by gain factor = $\frac{1}{16}$	X	1	0	0
Prescaler output is renormalized by gain factor = $\frac{1}{32}$	X	1	0	1
Prescaler output is renormalized by gain factor = $\frac{1}{64}$	X	1	1	0
Prescaler output is renormalized by gain factor = $\frac{1}{128}$	X	1	1	1
Weighting of all accumulated samples is factor '1'; e.g. XACL = 4 $\Rightarrow$ sequence 1 + 1 + 1 + 1 + 1	0	X	X	X
Weighting of samples inside sequence is factor '2'; e.g. XACL = 4 $\Rightarrow$ sequence 1 + 2 + 2 + 2 + 1	1	X	X	X

PAL/NTSC/SECAM video decoder with adaptive PAL/NTSC  
comb filter, VBI-data slicer and high performance scaler

SAA7114H

**Table 114** Prescaler DC gain and FIR prefilter control; register set A (A2H[7:4]) and B (D2H[7:4])

X = don't care.

FIR PREFILTER CONTROL	CONTROL BITS D7 TO D4			
	PFUV1	PFUV0	PFY1	PFY0
Luminance FIR filter bypassed	X	X	0	0
$H_y(z) = \frac{1}{4}(1 \ 2 \ 1)$	X	X	0	1
$H_y(z) = \frac{1}{8}(-1 \ 1 \ 1.75 \ 4.5 \ 1.75 \ 1 \ -1)$	X	X	1	0
$H_y(z) = \frac{1}{8}(1 \ 2 \ 2 \ 2 \ 1)$	X	X	1	1
Chrominance FIR filter bypassed	0	0	X	X
$H_{uv}(z) = \frac{1}{4}(1 \ 2 \ 1)$	0	1	X	X
$H_{uv}(z) = \frac{1}{32}(3 \ 8 \ 10 \ 8 \ 3)$	1	0	X	X
$H_{uv}(z) = \frac{1}{8}(1 \ 2 \ 2 \ 2 \ 1)$	1	1	X	X

## 15.5.10 SUBADDRESSES A4H TO A6H

**Table 115** Luminance brightness setting; register set A (A4H[7:0]) and B (D4H[7:0])

LUMINANCE BRIGHTNESS SETTING	CONTROL BITS D7 TO D0							
	BRIG7	BRIG6	BRIG5	BRIG4	BRIG3	BRIG2	BRIG1	BRIG0
Value = 0	0	0	0	0	0	0	0	0
Nominal value = 128	1	0	0	0	0	0	0	0
Value = 255	1	1	1	1	1	1	1	1

**Table 116** Luminance contrast setting; register set A (A5H[7:0]) and B (D5H[7:0])

LUMINANCE CONTRAST SETTING	CONTROL BITS D7 TO D0							
	CONT7	CONT6	CONT5	CONT4	CONT3	CONT2	CONT1	CONT0
Gain = 0	0	0	0	0	0	0	0	0
Gain = $\frac{1}{64}$	0	0	0	0	0	0	0	1
Nominal gain = 64	0	1	0	0	0	0	0	0
Gain = $\frac{127}{64}$	0	1	1	1	1	1	1	1

**Table 117** Chrominance saturation setting; register set A (A6H[7:0]) and B (D6H[7:0])

CHROMINANCE SATURATION SETTING	CONTROL BITS D7 TO D0							
	SATN7	SATN6	SATN5	SATN4	SATN3	SATN2	SATN1	SATN0
Gain = 0	0	0	0	0	0	0	0	0
Gain = $\frac{1}{64}$	0	0	0	0	0	0	0	1
Nominal gain = 64	0	1	0	0	0	0	0	0
Gain = $\frac{127}{64}$	0	1	1	1	1	1	1	1

**PAL/NTSC/SECAM video decoder with adaptive PAL/NTSC comb filter, VBI-data slicer and high performance scaler**

**SAA7114H**

15.5.11 SUBADDRESSES A8H TO AEH

**Table 118** Horizontal luminance scaling increment; register set A (A8H[7:0]; A9H[7:0]) and B (D8H[7:0]; D9H[7:0])

HORIZONTAL LUMINANCE SCALING INCREMENT	CONTROL BITS			
	A(A9H[7:4]) B(D9H[7:4])	A(A9H[3:0]) B(D9H[3:0])	A(A8H[7:4]) B(D8H[7:4])	A(A8H[3:0]) B(D8H[3:0])
	XSCY[15:12]	XSCY[11:8]	XSCY[7:4]	XSCY[3:0]
Scale = $1024/1$ (theoretical) zoom	0000	0000	0000	0000
Scale = $1024/294$ , lower limit defined by data path structure	0000	0001	0010	0110
Scale = $1024/1023$ zoom	0000	0011	1111	1111
Scale = 1, equals 1024	0000	0100	0000	0000
Scale = $1024/1025$ down-scale	0000	0100	0000	0001
Scale = $1024/8191$ down-scale	0001	1111	1111	1111

**Table 119** Horizontal luminance phase offset; register set A (AAH[7:0]) and B (DAH[7:0])

HORIZONTAL LUMINANCE PHASE OFFSET	CONTROL BITS D7 TO D0							
	XPHY7	XPHY6	XPHY5	XPHY4	XPHY3	XPHY2	XPHY1	XPHY0
Offset = 0	0	0	0	0	0	0	0	0
Offset = $1/32$ pixel	0	0	0	0	0	0	0	1
Offset = $32/32 = 1$ pixel	0	0	1	0	0	0	0	0
Offset = $255/32$ pixel	1	1	1	1	1	1	1	1

**Table 120** Horizontal chrominance scaling increment; register set A (ACH[7:0]; ADH[7:0]) and B (DCH[7:0]; DDH[7:0])

HORIZONTAL CHROMINANCE SCALING INCREMENT	CONTROL BITS			
	A (ADH[7:4]) B (DDH[7:4])	A (ADH[3:0]) B (DDH[3:0])	A (ACH[7:4]) B (DCH[7:4])	A (ACH[3:0]) B (DCH[3:0])
	XSCC[15:12] <sup>(1)</sup>	XSCC[11:8]	XSCC[7:4]	XSCC[3:0]
This value must be set to the luminance value $1/2$ XSCY[15:0]	0000	0000	0000	0000
	0000	0000	0000	0001
	0001	1111	1111	1111

**Note**

1. Bits XSCC[15:13] are reserved and are set to logic 0.

**Table 121** Horizontal chrominance phase offset; register set A (AEH[7:0]) and B (DEH[7:0])

HORIZONTAL CHROMINANCE PHASE OFFSET	CONTROL BITS D7 TO D0							
	XPHC7	XPHC6	XPHC5	XPHC4	XPHC3	XPHC2	XPHC1	XPHC0
This value must be set to $1/2$ XPHY[7:0]	0	0	0	0	0	0	0	0
	0	0	0	0	0	0	0	1
	1	1	1	1	1	1	1	1

PAL/NTSC/SECAM video decoder with adaptive PAL/NTSC  
comb filter, VBI-data slicer and high performance scaler

SAA7114H

## 15.5.12 SUBADDRESSES B0H TO BFH

**Table 122** Vertical luminance scaling increment; register set A (B0H[7:0]; B1H[7:0]) and B (E0H[7:0]; E1H[7:0])

VERTICAL LUMINANCE SCALING INCREMENT	CONTROL BITS			
	A (B1H[7:4]) B (E1H[7:4])	A (B1H[3:0]) B (E1H[3:0])	A (B0H[7:4]) B (E0H[7:4])	A (B0H[3:0]) B (E0H[3:0])
	YSCY[15:12]	YSCY[11:8]	YSCY[7:4]	YSCY[3:0]
Scale = $1024/1$ (theoretical) zoom	0000	0000	0000	0001
Scale = $1024/1023$ zoom	0000	0011	1111	1111
Scale = 1, equals 1024	0000	0100	0000	0000
Scale = $1024/1025$ down-scale	0000	0100	0000	0001
Scale = $1/63.999$ down-scale	1111	1111	1111	1111

**Table 123** Vertical chrominance scaling increment; register set A (B2H[7:0]; B3H[7:0]) and B (E2H[7:0]; E3H[7:0])

VERTICAL CHROMINANCE SCALING INCREMENT	CONTROL BITS			
	A (B3H[7:4]) B (E3H[7:4])	A (B3H[3:0]) B (E3H[3:0])	A (B2H[7:4]) B (E2H[7:4])	A (B2H[3:0]) B (E2H[3:0])
	YSCC[15:12]	YSCC[11:8]	YSCC[7:4]	YSCC[3:0]
This value must be set to the luminance value YSCY[15:0]	0000	0000	0000	0001
	1111	1111	1111	1111

**Table 124** Vertical scaling mode control; register set A (B4H[4 and 0]) and B (E4H[4 and 0])

X = don't care.

VERTICAL SCALING MODE CONTROL	CONTROL BITS D4 AND D0	
	YMIR	YMODE
Vertical scaling performs linear interpolation between lines	X	0
Vertical scaling performs higher order accumulating interpolation, better alias suppression	X	1
No mirroring	0	X
Lines are mirrored	1	X

**Table 125** Vertical chrominance phase offset '00'; register set A (B8H[7:0]) and B (E8H[7:0])

VERTICAL CHROMINANCE PHASE OFFSET	CONTROL BITS D7 TO D0							
	YPC07	YPC06	YPC05	YPC04	YPC03	YPC02	YPC01	YPC00
Offset = 0	0	0	0	0	0	0	0	0
Offset = $32/32 = 1$ line	0	0	1	0	0	0	0	0
Offset = $255/32$ lines	1	1	1	1	1	1	1	1

# PAL/NTSC/SECAM video decoder with adaptive PAL/NTSC comb filter, VBI-data slicer and high performance scaler

SAA7114H

**Table 126** Vertical luminance phase offset '00'; register set A (BCH[7:0]) and B (ECH[7:0])

VERTICAL LUMINANCE PHASE OFFSET	CONTROL BITS D7 TO D0							
	YPY07	YPY06	YPY05	YPY04	YPY03	YPY02	YPY01	YPY00
Offset = 0	0	0	0	0	0	0	0	0
Offset = $32/32 = 1$ line	0	0	1	0	0	0	0	0
Offset = $255/32$ lines	1	1	1	1	1	1	1	1

## 16 PROGRAMMING START SET-UP

### 16.1 Decoder part

The given values force the following behaviour of the SAA7114H decoder part:

- The analog input AI11 expects an NTSC M, PAL BDGHI or SECAM signal in CVBS format; analog anti-alias filter and AGC active
- Automatic field detection enabled
- Standard ITU 656 output format enabled on expansion (X) port
- Contrast, brightness and saturation control in accordance with ITU standards
- Adaptive comb filter for luminance and chrominance activated
- Pins LLC, LLC2, XTOUT, RTS0, RTS1 and RTCO are set to 3-state.

**Table 127** Decoder part start set-up values for the three main standards

SUB ADDRESS (HEX)	REGISTER FUNCTION	BIT NAME <sup>(1)</sup>	VALUES (HEX)		
			NTSC M	PAL BDGHI	SECAM
00	chip version	ID07 to ID04	read only		
01	horizontal increment delay	X, X, X, X, IDEL3 to IDEL0	08	08	08
02	analog input control 1	FUSE1 and FUSE0, GUDL1 to GUDL0, MODE3 to MODE0	C0	C0	C0
03	analog input control 2	X, HLNRS, VBSL, WPOFF, HOLDG, GAFIX, GAI28 and GAI18	10	10	10
04	analog input control 3	GAI17 to GAI10	90	90	90
05	analog input control 4	GAI27 to GAI20	90	90	90
06	horizontal sync start	HSB7 to HSB0	EB	EB	EB
07	horizontal sync stop	HSS7 to HSS0	E0	E0	E0
08	sync control	AUFD, FSEL, FOET, HTC1, HTC0, HPLL, VNOI1 and VNOI0	98	98	98
09	luminance control	BYPS, YCOMB, LDEL, LUBW, LUF13 to LUF10	40	40	1B
0A	luminance brightness control	DBRI7 to DBRI0	80	80	80
0B	luminance contrast control	DCON7 to DCON0	44	44	44
0C	chrominance saturation control	DSAT7 to DSAT0	40	40	40

PAL/NTSC/SECAM video decoder with adaptive PAL/NTSC  
comb filter, VBI-data slicer and high performance scaler

SAA7114H

SUB ADDRESS (HEX)	REGISTER FUNCTION	BIT NAME <sup>(1)</sup>	VALUES (HEX)		
			NTSC M	PAL BDGHI	SECAM
0D	chrominance hue control	HUEC7 to HUEC0	00	00	00
0E	chrominance control 1	CDTO, CSTD2 to CSTD0, DCVF, FCTC, X, CCOMB	89	81	D0
0F	chrominance gain control	ACGC, CGAIN6 to CGAIN0	2A	2A	80
10	chrominance control 2	OFFU1, OFFU0, OFFV1, OFFV0, CHBW, LCBW2 to LCBW0	0E	06	00
11	mode/delay control	COLO, RTP1, HDEL1, HDEL0, RTP0, YDEL2 to YDEL0	00	00	00
12	RT signal control	RTSE13 to RTSE10, RTSE03 to RTSE00	00	00	00
13	RT/X-port output control	RTCE, XRHS, XRVS1, XRVS0, HLSEL, OFTS2 to OFTS0	00	00	00
14	analog, ADC, compatibility control	CM99, UPTCV, AOSL1, AOSL0, XTOUTE, OLDSB, APCK1 and APCK0	00	00	00
15	VGATE start, FID change	VSTA7 to VSTA0	11	11	11
16	VGATE stop	VSTO7 to VSTO0	FE	FE	FE
17	miscellaneous/VGATE MSBs	LLCE, LLC2E, X, X, X, VGPS, VSTO8 and VSTA8	40	40	40
18	raw data gain	RAWG7 to RAWG0	40	40	40
19	raw data offset	RAWO7 to RAWO0	80	80	80
1A to 1E	reserved	X, X, X, X, X, X, X, X	00	00	00
1F	decoder status byte (OLDSB = 0)	INTL, HVLN, FIDT, GLIMT, GLIMB, WIPA, COPRO, RDCAP	read only		

**Note**

- All X values must be set to LOW.



# PAL/NTSC/SECAM video decoder with adaptive PAL/NTSC comb filter, VBI-data slicer and high performance scaler

SAA7114H

## 16.2 Audio clock generation part

The given values force the following behaviour of the SAA7114H audio clock generation part:

- Used crystal is 24.576 MHz
- Expected field frequency is 59.94 Hz (e.g. NTSC M standard)
- Generated audio master clock frequency at pin AMCLK is  $256 \times 44.1 \text{ kHz} = 11.2896 \text{ MHz}$
- AMCLK is externally connected to AMXCLK (short-cut between pins 37 and 41)
- ASCLK =  $32 \times 44.1 \text{ kHz} = 1.4112 \text{ MHz}$
- ALRCLK is 44.1 kHz.

**Table 128** Audio clock part set-up values

SUB ADDRESS (HEX)	REGISTER FUNCTION	BIT NAME <sup>(1)</sup>	START VALUES								
			7	6	5	4	3	2	1	0	HEX
30	audio master clock cycles per field; bits 7 to 0	ACPF7 to ACPF0	1	0	1	1	1	1	0	0	BC
31	audio master clock cycles per field; bits 15 to 8	ACPF15 to ACPF8	1	1	0	1	1	1	1	1	DF
32	audio master clock cycles per field; bits 17 and 16	X, X, X, X, X, X, ACPF17 and ACPF16	0	0	0	0	0	0	1	0	02
33	reserved	X, X, X, X, X, X, X, X	0	0	0	0	0	0	0	0	00
34	audio master clock nominal increment; bits 7 to 0	ACNI7 to ACNI0	1	1	0	0	1	1	0	1	CD
35	audio master clock nominal increment; bits 15 to 8	ACNI15 to ACNI8	1	1	0	0	1	1	0	0	CC
36	audio master clock nominal increment; bits 21 to 16	X, X, ACNI21 to ACNI16	0	0	1	1	1	0	1	0	3A
37	reserved	X, X, X, X, X, X, X, X	0	0	0	0	0	0	0	0	00
38	clock ratio AMXCLK to ASCLK	X, X, SDIV5 to SDIV0	0	0	0	0	0	0	1	1	03
39	clock ratio ASCLK to ALRCLK	X, X, LRDIV5 to LRDIV0	0	0	0	1	0	0	0	0	10
3A	audio clock generator basic set-up	X, X, X, X, APLL, AMVR, LRP, SCPH	0	0	0	0	0	0	0	0	00
3B to 3F	reserved	X, X, X, X, X, X, X, X	0	0	0	0	0	0	0	0	00

### Note

1. All X values must be set to LOW.

# PAL/NTSC/SECAM video decoder with adaptive PAL/NTSC comb filter, VBI-data slicer and high performance scaler

SAA7114H

## 16.3 Data slicer and data type control part

The given values force the following behaviour of the SAA7114H VBI-data slicer part:

- Closed captioning data are expected at line 21 of field 1 (60 Hz/525 line system)
- All other lines are processed as active video
- Sliced data are framed by ITU 656 like SAV/EAV sequence (DID[5:0] = 3EH  $\Rightarrow$  MSB of SAV/EAV = 1).

**Table 129** Data slicer start set-up values

SUB ADDRESS (HEX)	FUNCTION	BIT NAME <sup>(1)</sup>	START VALUES								
			7	6	5	4	3	2	1	0	HEX
40	slicer control 1	X, HAM_N, FCE, HUNT_N, X, X, X, X	0	1	0	0	0	0	0	0	00
41 to 53	line control register 2 to 20	LCRn_7 to LCRn_0 (n = 2 to 20)	1	1	1	1	1	1	1	1	FF
54	line control register 21	LCR21_7 to LCR21_0	0	1	0	1	1	1	1	1	5F
55 to 57	line control register 22 to 24	LCRn_7 to LCRn_0 (n = 22 to 24)	1	1	1	1	1	1	1	1	FF
58	programmable framing code	FC7 to FC0	0	0	0	0	0	0	0	0	00
59	horizontal offset for slicer	HOFF7 to HOFF0	0	1	0	0	0	1	1	1	47
5A	vertical offset for slicer	VOFF7 to VOFF0	0	0	0	0	0	1	1	0	06 <sup>(2)</sup>
5B	field offset and MSBs for horizontal and vertical offset	FOFF, RECODE, X, VOFF8, X, HOFF10 to HOFF8	1	0	0	0	0	0	1	1	83 <sup>(2)</sup>
5C	reserved	X, X, X, X, X, X, X, X	0	0	0	0	0	0	0	0	00
5D	header and data identification code control	FVREF, X, DID5 to DID0	0	0	1	1	1	1	1	0	3E
5E	sliced data identification code	X, X, SDID5 to SDID0	0	0	0	0	0	0	0	0	00
5F	reserved	X, X, X, X, X, X, X, X	0	0	0	0	0	0	0	0	00
60	slicer status byte 1	–, FC8V, FC7V, VPSV, PPV, CCV, –, –	read-only register								
61	slicer status byte 2	–, –, F21_N, LN8 to LN4	read-only register								
62		LN3 to LN0, DT3 to DT0	read-only register								

### Notes

1. All X values must be set to LOW.
2. Changes for 50 Hz/625 line systems: subaddress 5AH = 03H and subaddress 5BH = 03H.

# PAL/NTSC/SECAM video decoder with adaptive PAL/NTSC comb filter, VBI-data slicer and high performance scaler

SAA7114H

## 16.4 Scaler and interfaces

Table 130 shows some examples for the scaler programming with:

- prsc = prescale ratio
- fisc = fine scale ratio
- vsc = vertical scale ratio.

The ratio is defined as:  $\frac{\text{number of input pixel}}{\text{number of output pixel}}$

In the following settings the VBI-data slicer is inactive. To activate the VBI-data slicer, VITX[1:0]86H[7:6] has to be set to '11'. Dependent on the VBI-data slicer settings, the sliced VBI-data are inserted after end of scaled video lines, if the regions of VBI-data slicer and scaler overlaps.

To compensate the running-in of the vertical scaler, the vertical input window lengths are extended by 2 to 290 lines, respectively 242 lines for XS, but the scaler increment calculations are done with 288, respectively 240 lines.

### 16.4.3 EXAMPLES

**Table 130** Example configurations

EXAMPLE NUMBER	SCALER SOURCE AND REFERENCE EVENTS	INPUT WINDOW	OUTPUT WINDOW	SCALE RATIOS
1	analog input to 8-bit I-port output, with SAV/EAV codes, 8-bit serial byte stream decoder output at X-port; acquisition trigger at falling edge vertical and rising edge horizontal reference signal; H and V-gates on IGPH and IGPV, IGP0 = VBI sliced data flag, IGP1 = FIFO almost full, level $\geq 24$ , IDQ qualifier logic 1 active	720 × 240	720 × 240	prsc = 1; fisc = 1; vsc = 1
2	analog input to 16-bit output, without SAV/EAV codes, Y on I-port, UV on H-port and decoder output at X-port; acquisition trigger at falling edge vertical and rising edge horizontal reference signal; H and V-pulses on IGPH and IGPV, output FID on IGP0, IGP1 fixed to logic 1, IDQ qualifier logic 0 active	704 × 288	768 × 288	prsc = 1; fisc = 0.91667; vsc = 1
3	X-port input 8 bit with SAV/EAV codes, no reference signals on XRH and XRV, XCLK as gated clock; field detection and acquisition trigger on different events; acquisition triggers at rising edge vertical and rising edge horizontal; I-port output 8 bit with SAV/EAV codes like example number 1	720 × 240	352 × 288	prsc = 2; fisc = 1.022; vsc = 0.8333
4	X-port and H-port for 16-bit YUV 4 : 2 : 2 input (if no 16-bit output selected); XRH and XRV as references; field detection and acquisition trigger at falling edge vertical and rising edge horizontal; I-port output 8 bit with SAV/EAV codes, but Y only output	720 × 288	200 × 80	prsc = 2; fisc = 1.8; vsc = 3.6

### 16.4.1 TRIGGER CONDITION

For trigger condition STRC[1:0]90H[1:0] not equal '00'.

If the value of (YO + YS) is greater equal 262 (NTSC), respectively 312 (PAL) the output field rate is reduced to 30 Hz, respectively 25 Hz.

Horizontal and vertical offsets (XO and YO) have to be used to adjust the displayed video in the display window. As this adjustment is application dependent, the listed values are only dummy values.

### 16.4.2 MAXIMUM ZOOM FACTOR

The maximum zoom factor is dependent on the back-end data rate and therefore back-end clock and data format dependent (8 or 16-bit output). The maximum horizontal zoom is limited to about 3.5, due to internal data path restrictions.

PAL/NTSC/SECAM video decoder with adaptive PAL/NTSC  
comb filter, VBI-data slicer and high performance scaler

SAA7114H

Table 131 Scaler and interface configuration example

I <sup>2</sup> C-BUS ADDRESS (HEX)	MAIN FUNCTIONALITY	EXAMPLE 1		EXAMPLE 2		EXAMPLE 3		EXAMPLE 4	
		HEX	DEC	HEX	DEC	HEX	DEC	HEX	DEC
<b>Global settings</b>									
80	task enable, IDQ and back-end clock definition	10	–	10	–	10	–	10	–
83	XCLK output phase and X-port output enable	01	–	01	–	00	–	00	–
84	IGPH, IGPV, IGP0 and IGP1 output definition	A0	–	C5	–	A0	–	A0	–
85	signal polarity control and I-port byte swapping	10	–	09	–	10	–	10	–
86	FIFO flag thresholds and video/text arbitration	45	–	40	–	45	–	45	–
87	ICLK and IDQ output phase and I-port enable	01	–	01	–	01	–	01	–
88	power save control and software reset	F0	–	F0	–	F0	–	F0	–
<b>Task A: scaler input configuration and output format settings</b>									
90	task handling	00	–	00	–	00	–	00	–
91	scaler input source and format definition	08	–	08	–	18	–	38	–
92	reference signal definition at scaler input	10	–	10	–	10	–	10	–
93	I-port output formats and configuration	80	–	40	–	80	–	84	–
<b>Input and output window definition</b>									
94	horizontal input offset (XO)	10	16	10	16	10	16	10	16
95		00	–	00	–	00	–	00	–
96	horizontal input (source) window length (XS)	D0	720	C0	704	D0	720	D0	720
97		02	–	02	–	02	–	02	–
98	vertical input offset (YO)	0A	10	0A	10	0A	10	0A	10
99		00	–	00	–	00	–	00	–
9A	vertical input (source) window length (YS)	F2	242	22	290	F2	242	22	290
9B		00	–	01	–	00	–	01	–
9C	horizontal output (destination) window length (XD)	D0	720	00	768	60	352	C8	200
9D		02	–	03	–	01	–	00	–
9E	vertical output (destination) window length (YD)	F0	240	20	288	20	288	50	80
9F		00	–	01	–	01	–	00	–
<b>Prefiltering and prescaling</b>									
A0	integer prescale (value '00' not allowed)	01	–	01	–	02	–	02	–
A1	accumulation length for prescaler	00	–	00	–	02	–	03	–
A2	FIR prefilter and prescaler DC normalization	00	–	00	–	AA	–	F2	–
A4	scaler brightness control	80	128	80	128	80	128	80	128
A5	scaler contrast control	40	64	40	64	40	64	11	17
A6	scaler saturation control	40	64	40	64	40	64	11	17

PAL/NTSC/SECAM video decoder with adaptive PAL/NTSC  
comb filter, VBI-data slicer and high performance scaler

SAA7114H

I <sup>2</sup> C-BUS ADDRESS (HEX)	MAIN FUNCTIONALITY	EXAMPLE 1		EXAMPLE 2		EXAMPLE 3		EXAMPLE 4	
		HEX	DEC	HEX	DEC	HEX	DEC	HEX	DEC
<b>Horizontal phase scaling</b>									
A8	horizontal scaling increment for luminance	00	1024	AA	938	18	1048	34	1844
A9		04	–	03	–	04	–	07	–
AA	horizontal phase offset luminance	00	–	00	–	00	–	00	–
AC	horizontal scaling increment for chrominance	00	512	D5	469	0C	524	9A	922
AD		02	–	01	–	02	–	03	–
AE	horizontal phase offset chrominance	00	–	00	–	00	–	00	–
<b>Vertical scaling</b>									
B0	vertical scaling increment for luminance	00	1024	00	1024	55	853	66	3686
B1		04	–	04	–	03	–	0E	–
B2	vertical scaling increment for chrominance	00	1024	00	1024	55	853	66	3686
B3		04	–	04	–	03	–	0E	–
B4	vertical scaling mode control	00	–	00	–	00	–	01	–
B8 to BF	vertical phase offsets luminance and chrominance (need to be used for interlace correct scaled output)	start with B8 to BF at 00H, if there are no problems with the interlaced scaled output optimize according to Section 8.3.3.2							

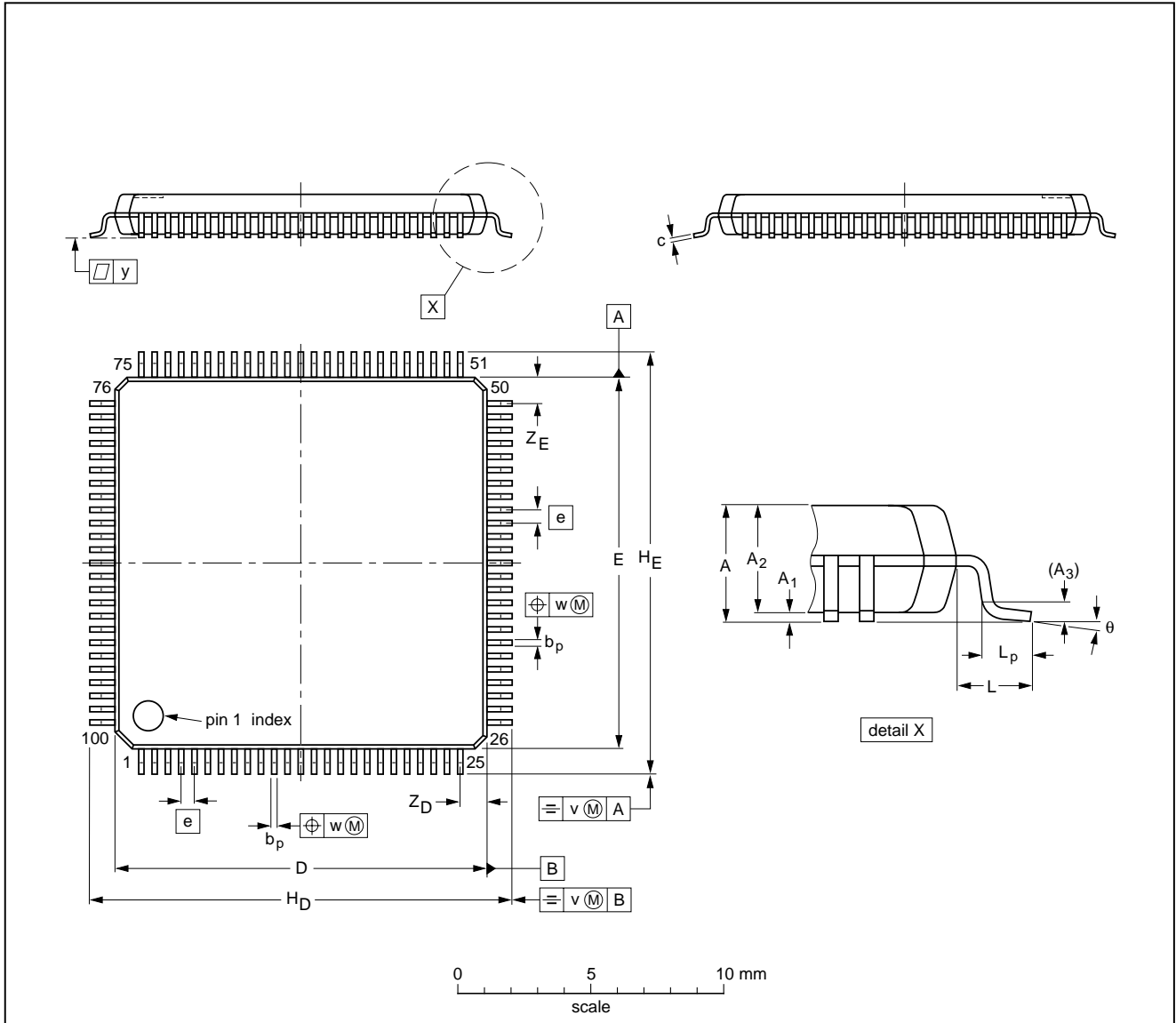
PAL/NTSC/SECAM video decoder with adaptive PAL/NTSC comb filter, VBI-data slicer and high performance scaler

SAA7114H

17 PACKAGE OUTLINE

LQFP100: plastic low profile quad flat package; 100 leads; body 14 x 14 x 1.4 mm

SOT407-1



DIMENSIONS (mm are the original dimensions)

UNIT	A max.	A <sub>1</sub>	A <sub>2</sub>	A <sub>3</sub>	b <sub>p</sub>	c	D <sup>(1)</sup>	E <sup>(1)</sup>	e	H <sub>D</sub>	H <sub>E</sub>	L	L <sub>p</sub>	v	w	y	Z <sub>D</sub> <sup>(1)</sup>	Z <sub>E</sub> <sup>(1)</sup>	θ
mm	1.6	0.15 0.05	1.45 1.35	0.25	0.27 0.17	0.20 0.09	14.1 13.9	14.1 13.9	0.5	16.25 15.75	16.25 15.75	1.0	0.75 0.45	0.2	0.08	0.08	1.15 0.85	1.15 0.85	7° 0°

Note

1. Plastic or metal protrusions of 0.25 mm maximum per side are not included.

OUTLINE VERSION	REFERENCES				EUROPEAN PROJECTION	ISSUE DATE
	IEC	JEDEC	EIAJ			
SOT407-1	136E20	MS-026				00-01-19 00-02-01

# PAL/NTSC/SECAM video decoder with adaptive PAL/NTSC comb filter, VBI-data slicer and high performance scaler

SAA7114H

## 18 SOLDERING

### 18.1 Introduction to soldering surface mount packages

This text gives a very brief insight to a complex technology. A more in-depth account of soldering ICs can be found in our *"Data Handbook IC26; Integrated Circuit Packages"* (document order number 9398 652 90011).

There is no soldering method that is ideal for all surface mount IC packages. Wave soldering is not always suitable for surface mount ICs, or for printed-circuit boards with high population densities. In these situations reflow soldering is often used.

### 18.2 Reflow soldering

Reflow soldering requires solder paste (a suspension of fine solder particles, flux and binding agent) to be applied to the printed-circuit board by screen printing, stencilling or pressure-syringe dispensing before package placement.

Several methods exist for reflowing; for example, infrared/convection heating in a conveyor type oven. Throughput times (preheating, soldering and cooling) vary between 100 and 200 seconds depending on heating method.

Typical reflow peak temperatures range from 215 to 250 °C. The top-surface temperature of the packages should preferably be kept below 230 °C.

### 18.3 Wave soldering

Conventional single wave soldering is not recommended for surface mount devices (SMDs) or printed-circuit boards with a high component density, as solder bridging and non-wetting can present major problems.

To overcome these problems the double-wave soldering method was specifically developed.

If wave soldering is used the following conditions must be observed for optimal results:

- Use a double-wave soldering method comprising a turbulent wave with high upward pressure followed by a smooth laminar wave.

- For packages with leads on two sides and a pitch (e):
  - larger than or equal to 1.27 mm, the footprint longitudinal axis is **preferred** to be parallel to the transport direction of the printed-circuit board;
  - smaller than 1.27 mm, the footprint longitudinal axis **must** be parallel to the transport direction of the printed-circuit board.

The footprint must incorporate solder thieves at the downstream end.

- For packages with leads on four sides, the footprint must be placed at a 45° angle to the transport direction of the printed-circuit board. The footprint must incorporate solder thieves downstream and at the side corners.

During placement and before soldering, the package must be fixed with a droplet of adhesive. The adhesive can be applied by screen printing, pin transfer or syringe dispensing. The package can be soldered after the adhesive is cured.

Typical dwell time is 4 seconds at 250 °C.

A mildly-activated flux will eliminate the need for removal of corrosive residues in most applications.

### 18.4 Manual soldering

Fix the component by first soldering two diagonally-opposite end leads. Use a low voltage (24 V or less) soldering iron applied to the flat part of the lead. Contact time must be limited to 10 seconds at up to 300 °C.

When using a dedicated tool, all other leads can be soldered in one operation within 2 to 5 seconds between 270 and 320 °C.

PAL/NTSC/SECAM video decoder with adaptive PAL/NTSC  
comb filter, VBI-data slicer and high performance scaler

SAA7114H

### 18.5 Suitability of surface mount IC packages for wave and reflow soldering methods

PACKAGE	SOLDERING METHOD	
	WAVE	REFLOW <sup>(1)</sup>
BGA, SQFP	not suitable	suitable
HLQFP, HSQFP, HSOP, SMS	not suitable <sup>(2)</sup>	suitable
PLCC <sup>(3)</sup> , SO, SOJ	suitable	suitable
LQFP, QFP, TQFP	not recommended <sup>(3)(4)</sup>	suitable
SSOP, TSSOP, VSO	not recommended <sup>(5)</sup>	suitable

#### Notes

- All surface mount (SMD) packages are moisture sensitive. Depending upon the moisture content, the maximum temperature (with respect to time) and body size of the package, there is a risk that internal or external package cracks may occur due to vaporization of the moisture in them (the so called popcorn effect). For details, refer to the Drypack information in the "Data Handbook IC26; Integrated Circuit Packages; Section: Packing Methods".
- These packages are not suitable for wave soldering as a solder joint between the printed-circuit board and heatsink (at bottom version) can not be achieved, and as solder may stick to the heatsink (on top version).
- If wave soldering is considered, then the package must be placed at a 45° angle to the solder wave direction. The package footprint must incorporate solder thieves downstream and at the side corners.
- Wave soldering is only suitable for LQFP, TQFP and QFP packages with a pitch (e) equal to or larger than 0.8 mm; it is definitely not suitable for packages with a pitch (e) equal to or smaller than 0.65 mm.
- Wave soldering is only suitable for SSOP and TSSOP packages with a pitch (e) equal to or larger than 0.65 mm; it is definitely not suitable for packages with a pitch (e) equal to or smaller than 0.5 mm.



# PAL/NTSC/SECAM video decoder with adaptive PAL/NTSC comb filter, VBI-data slicer and high performance scaler

SAA7114H

## 19 DEFINITIONS

<b>Data sheet status</b>	
Objective specification	This data sheet contains target or goal specifications for product development.
Preliminary specification	This data sheet contains preliminary data; supplementary data may be published later.
Product specification	This data sheet contains final product specifications.
<b>Limiting values</b>	
Limiting values given are in accordance with the Absolute Maximum Rating System (IEC 134). Stress above one or more of the limiting values may cause permanent damage to the device. These are stress ratings only and operation of the device at these or at any other conditions above those given in the Characteristics sections of the specification is not implied. Exposure to limiting values for extended periods may affect device reliability.	
<b>Application information</b>	
Where application information is given, it is advisory and does not form part of the specification.	

## 20 LIFE SUPPORT APPLICATIONS

These products are not designed for use in life support appliances, devices, or systems where malfunction of these products can reasonably be expected to result in personal injury. Philips customers using or selling these products for use in such applications do so at their own risk and agree to fully indemnify Philips for any damages resulting from such improper use or sale.

## 21 PURCHASE OF PHILIPS I<sup>2</sup>C COMPONENTS



Purchase of Philips I<sup>2</sup>C components conveys a license under the Philips' I<sup>2</sup>C patent to use the components in the I<sup>2</sup>C system provided the system conforms to the I<sup>2</sup>C specification defined by Philips. This specification can be ordered using the code 9398 393 40011.

---

PAL/NTSC/SECAM video decoder with adaptive PAL/NTSC  
comb filter, VBI-data slicer and high performance scaler

---

SAA7114H

**NOTES**

---

PAL/NTSC/SECAM video decoder with adaptive PAL/NTSC  
comb filter, VBI-data slicer and high performance scaler

---

SAA7114H

**NOTES**

# Philips Semiconductors – a worldwide company

**Argentina:** see South America

**Australia:** 3 Figtree Drive, HOMEBUSH, NSW 2140,  
Tel. +61 2 9704 8141, Fax. +61 2 9704 8139

**Austria:** Computerstr. 6, A-1101 WIEN, P.O. Box 213,  
Tel. +43 1 60 101 1248, Fax. +43 1 60 101 1210

**Belarus:** Hotel Minsk Business Center, Bld. 3, r. 1211, Volodarski Str. 6,  
220050 MINSK, Tel. +375 172 20 0733, Fax. +375 172 20 0773

**Belgium:** see The Netherlands

**Brazil:** see South America

**Bulgaria:** Philips Bulgaria Ltd., Energoproject, 15th floor,  
51 James Bourchier Blvd., 1407 SOFIA,  
Tel. +359 2 68 9211, Fax. +359 2 68 9102

**Canada:** PHILIPS SEMICONDUCTORS/COMPONENTS,  
Tel. +1 800 234 7381, Fax. +1 800 943 0087

**China/Hong Kong:** 501 Hong Kong Industrial Technology Centre,  
72 Tat Chee Avenue, Kowloon Tong, HONG KONG,  
Tel. +852 2319 7888, Fax. +852 2319 7700

**Colombia:** see South America

**Czech Republic:** see Austria

**Denmark:** Sydhavnsgade 23, 1780 COPENHAGEN V,  
Tel. +45 33 29 3333, Fax. +45 33 29 3905

**Finland:** Sinikalliontie 3, FIN-02630 ESPOO,  
Tel. +358 9 615 800, Fax. +358 9 6158 0920

**France:** 51 Rue Carnot, BP317, 92156 SURESNES Cedex,  
Tel. +33 1 4099 6161, Fax. +33 1 4099 6427

**Germany:** Hammerbrookstraße 69, D-20097 HAMBURG,  
Tel. +49 40 2353 60, Fax. +49 40 2353 6300

**Hungary:** see Austria

**India:** Philips INDIA Ltd, Band Box Building, 2nd floor,  
254-D, Dr. Annie Besant Road, Worli, MUMBAI 400 025,  
Tel. +91 22 493 8541, Fax. +91 22 493 0966

**Indonesia:** PT Philips Development Corporation, Semiconductors Division,  
Gedung Philips, Jl. Buncit Raya Kav.99-100, JAKARTA 12510,  
Tel. +62 21 794 0040 ext. 2501, Fax. +62 21 794 0080

**Ireland:** Newstead, Clonskeagh, DUBLIN 14,  
Tel. +353 1 7640 000, Fax. +353 1 7640 200

**Israel:** RAPAC Electronics, 7 Kehilat Saloniki St, PO Box 18053,  
TEL AVIV 61180, Tel. +972 3 645 0444, Fax. +972 3 649 1007

**Italy:** PHILIPS SEMICONDUCTORS, Via Casati, 23 - 20052 MONZA (MI),  
Tel. +39 039 203 6838, Fax +39 039 203 6800

**Japan:** Philips Bldg 13-37, Kohnan 2-chome, Minato-ku,  
TOKYO 108-8507, Tel. +81 3 3740 5130, Fax. +81 3 3740 5057

**Korea:** Philips House, 260-199 Itaewon-dong, Yongsan-ku, SEOUL,  
Tel. +82 2 709 1412, Fax. +82 2 709 1415

**Malaysia:** No. 76 Jalan Universiti, 46200 PETALING JAYA, SELANGOR,  
Tel. +60 3 750 5214, Fax. +60 3 757 4880

**Mexico:** 5900 Gateway East, Suite 200, EL PASO, TEXAS 79905,  
Tel. +9-5 800 234 7381, Fax +9-5 800 943 0087

**Middle East:** see Italy

**Netherlands:** Postbus 90050, 5600 PB EINDHOVEN, Bldg. VB,  
Tel. +31 40 27 82785, Fax. +31 40 27 88399

**New Zealand:** 2 Wagener Place, C.P.O. Box 1041, AUCKLAND,  
Tel. +64 9 849 4160, Fax. +64 9 849 7811

**Norway:** Box 1, Manglerud 0612, OSLO,  
Tel. +47 22 74 8000, Fax. +47 22 74 8341

**Pakistan:** see Singapore

**Philippines:** Philips Semiconductors Philippines Inc.,  
106 Valero St. Salcedo Village, P.O. Box 2108 MCC, MAKATI,  
Metro MANILA, Tel. +63 2 816 6380, Fax. +63 2 817 3474

**Poland:** Al.Jerozolimskie 195 B, 02-222 WARSAW,  
Tel. +48 22 5710 000, Fax. +48 22 5710 001

**Portugal:** see Spain

**Romania:** see Italy

**Russia:** Philips Russia, Ul. Usatcheva 35A, 119048 MOSCOW,  
Tel. +7 095 755 6918, Fax. +7 095 755 6919

**Singapore:** Lorong 1, Toa Payoh, SINGAPORE 319762,  
Tel. +65 350 2538, Fax. +65 251 6500

**Slovakia:** see Austria

**Slovenia:** see Italy

**South Africa:** S.A. PHILIPS Pty Ltd., 195-215 Main Road Martindale,  
2092 JOHANNESBURG, P.O. Box 58088 Newville 2114,  
Tel. +27 11 471 5401, Fax. +27 11 471 5398

**South America:** Al. Vicente Pinzon, 173, 6th floor,  
04547-130 SÃO PAULO, SP, Brazil,  
Tel. +55 11 821 2333, Fax. +55 11 821 2382

**Spain:** Balmes 22, 08007 BARCELONA,  
Tel. +34 93 301 6312, Fax. +34 93 301 4107

**Sweden:** Kottbygatan 7, Akalla, S-16485 STOCKHOLM,  
Tel. +46 8 5985 2000, Fax. +46 8 5985 2745

**Switzerland:** Allmendstrasse 140, CH-8027 ZÜRICH,  
Tel. +41 1 488 2741 Fax. +41 1 488 3263

**Taiwan:** Philips Semiconductors, 6F, No. 96, Chien Kuo N. Rd., Sec. 1,  
TAIPEI, Taiwan Tel. +886 2 2134 2886, Fax. +886 2 2134 2874

**Thailand:** PHILIPS ELECTRONICS (THAILAND) Ltd.,  
209/2 Sanpavuth-Bangna Road Prakanong, BANGKOK 10260,  
Tel. +66 2 745 4090, Fax. +66 2 398 0793

**Turkey:** Yukari Dudullu, Org. San. Blg., 2.Cad. Nr. 28 81260 Umraniye,  
ISTANBUL, Tel. +90 216 522 1500, Fax. +90 216 522 1813

**Ukraine:** PHILIPS UKRAINE, 4 Patrice Lumumba str., Building B, Floor 7,  
252042 KIEV, Tel. +380 44 264 2776, Fax. +380 44 268 0461

**United Kingdom:** Philips Semiconductors Ltd., 276 Bath Road, Hayes,  
MIDDLESEX UB3 5BX, Tel. +44 208 730 5000, Fax. +44 208 754 8421

**United States:** 811 East Arques Avenue, SUNNYVALE, CA 94088-3409,  
Tel. +1 800 234 7381, Fax. +1 800 943 0087

**Uruguay:** see South America

**Vietnam:** see Singapore

**Yugoslavia:** PHILIPS, Trg N. Pasica 5/v, 11000 BEOGRAD,  
Tel. +381 11 3341 299, Fax.+381 11 3342 553

**For all other countries apply to:** Philips Semiconductors,  
International Marketing & Sales Communications, Building BE-p, P.O. Box 218,  
5600 MD EINDHOVEN, The Netherlands, Fax. +31 40 27 24825

**Internet:** <http://www.semiconductors.philips.com>

© Philips Electronics N.V. 2000

SCA 69

All rights are reserved. Reproduction in whole or in part is prohibited without the prior written consent of the copyright owner.

The information presented in this document does not form part of any quotation or contract, is believed to be accurate and reliable and may be changed without notice. No liability will be accepted by the publisher for any consequence of its use. Publication thereof does not convey nor imply any license under patent- or other industrial or intellectual property rights.

Printed in The Netherlands

753505/01/pp140

Date of release: 2000 Mar 15

Document order number: 9397 750 05976

*Let's make things better.*

**Philips**  
Semiconductors



**PHILIPS**