

SMD Tuning Fork Crystal Resonators / kHz Band Crystal Resonators

DST310S



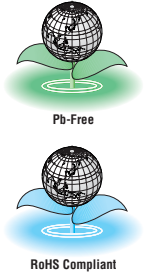
Actual size 

■ Features

- 3215 size ultra miniature and lightweight SMD tuning fork crystal resonator with a low profile of 0.75mm.
- A ceramic package providing high precision and reliability.

■ Applications

- Mobile communications, PDA, digital appliance

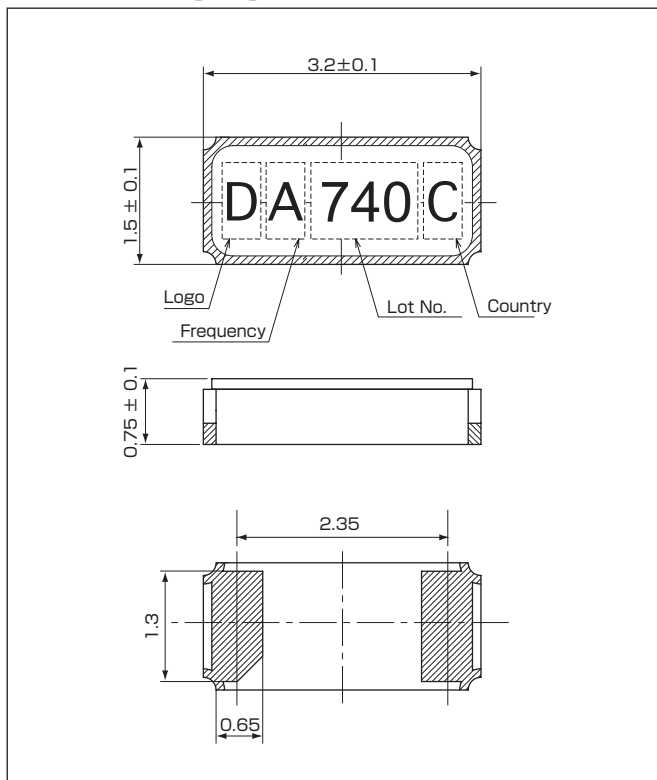


■ Standard Specification

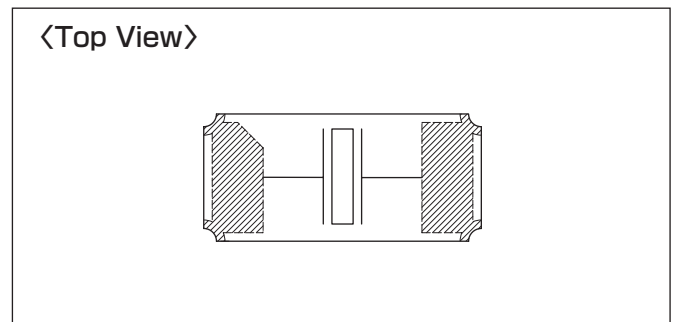
Item	Type	DST310S
Frequency Range		32.768kHz
Load Capacitance		9pF, 12.5pF
Drive Level		0.2μW (1.0μW max.)
Frequency Tolerance		$\pm 20 \times 10^{-6}$, $\pm 30 \times 10^{-6}$, $\pm 50 \times 10^{-6}$, $\pm 100 \times 10^{-6}$ (at 25°C)
Series Resistance		80kΩmax.
Turnover Temperature		+25°C±5°C
Two Dimensional Temperature Constant		$-0.04 \times 10^{-6}/^{\circ}\text{C}^2$ max.
Operating Temperature Range		-40°C~+85°C
Storage Temperature Range		-40°C~+85°C
Shunt Capacitance		1.3pF Typ.
Packing Unit		3000pcs./reel (φ 180)

Consult our sales representative for other specifications.

■ Dimensions[mm]



■ Internal Connections



■ Recommended Land Pattern

[mm]

