

DESCRIPTION

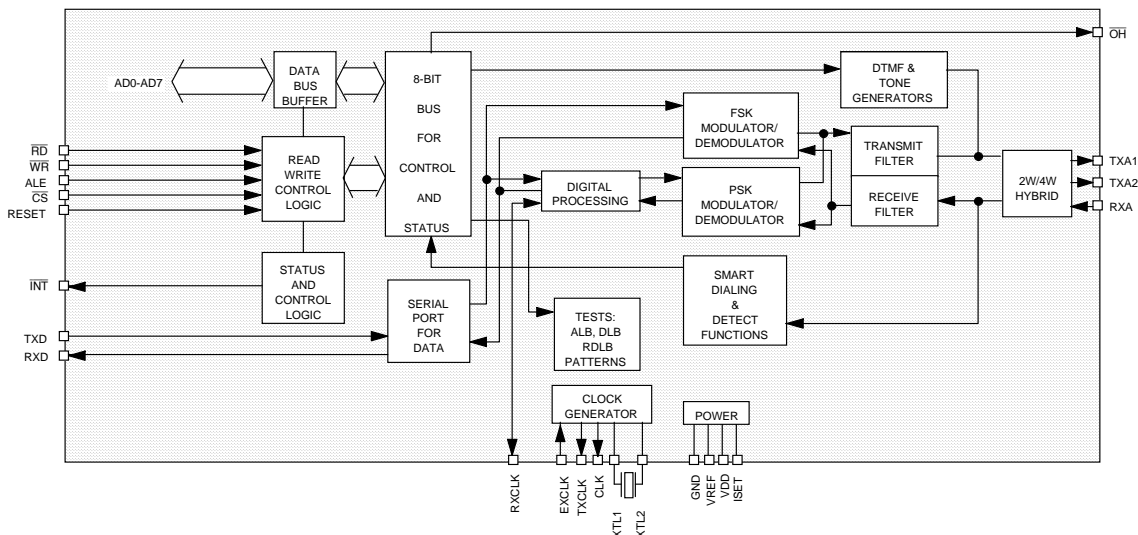
The 73K222BL is a highly integrated single-chip modem IC which provides the functions needed to construct a CCITT V.22, V.21, Bell 212A and Bell 103, compatible modem, capable of 1200 bit/s full-duplex operation over dial-up lines. The 73K222BL is an enhancement of the 73K222AL single-chip modem, which adds the hybrid hook switch control, and driver to the 73K222AL. In Bell 212A mode, the 73K222BL provides the normal Bell 212A and Bell 103 functions and employs a 2225 Hz answer tone. The 73K222BL in V.22 mode produces either 550 or 1800 Hz guard tone, recognizes and generates a 2100 Hz answer tone, and allows 600 bit/s V.22 or 0-300 bit/s V.21 operation. The device integrates analog, digital, and switched-capacitor array functions on a single substrate, offering excellent performance and a high level of functional integration in a 32-Lead package. It operates from a single +5 V supply.

The 73K222BL includes the DPSK and FSK modulator/demodulator functions, call progress and handshake tone monitor and a tone generator capable of tones required for European applications. This device supports V.22 (except mode v) and V. 21 modes of operation, allowing both synchronous and asynchronous communication. Test features such as analog loop, digital loop, and remote digital loopback are supported. Internal pattern generators are also included for self-testing. (continued)

FEATURES

- Includes features of 73K222AL single-chip modem
- One-chip CCITT V.22, V.21, Bell 212A and Bell 103 standard compatible modem data pump
- Full-duplex operation at 0-300 bit/s (FSK) or 600 and 1200 bit/s (DPSK)
- On chip 2-wire/4-wire hybrid driver and off-hook relay buffer driver
- Serial or parallel microcontroller control interface
- Interfaces directly with standard microcontroller (8048, 80C51 typical)
- Serial port for data transfer
- Both synchronous and asynchronous modes of operation including V.22 extended overspeed
- Call progress, carrier, precise answer tone (2100 or 2225 Hz), and long loop detectors
- DTMF, and 550 or 1800 Hz guard tone generators
- Test modes available: ALB, DL, RDL, Mark, Space, Alternating bit patterns
- Precise automatic gain control allows 45 dB dynamic range
- CMOS technology for low power consumption using 60 mW @ 5 V
- Single +5 V supply

BLOCK DIAGRAM



DESCRIPTION (continued)

The 73K222BL is designed to appear to the systems designer as a microprocessor peripheral, and will easily interface with popular one-chip microprocessors (80C51 typical) for control of modem functions through its 8-bit multiplexed address/data bus. An ALE control line simplifies address demultiplexing. Data communications occurs through a separate serial port only.

The 73K222BL is ideal for use in either free standing or integral system modem products where full-duplex 1200 bit/s data communications over the 2-wire switched telephone network is desired. Its high functionality, low power consumption and efficient packaging simplify design requirements and increase system reliability. A complete modem requires only the addition of the phone line interface, a control microprocessor, and RS-232 level converter for a typical system.

The 73K222BL is part of TERIDIAN Semiconductor's K-Series family of single-chip modem products. These devices allow systems to be configured for higher speeds and Bell or CCITT operation with only a single component change.

FUNCTIONAL DESCRIPTION

HYBRID AND RELAY DRIVER

To make designs more cost effective and space efficient, the 73K222BL includes the 2-wire to 4-wire hybrid with sufficient drive to interface directly to the telecom coupling transformers. In addition, an off hook relay driver with 40 mA drive capability is also included to allow use of commonly available mechanical telecom relays.

ASYNCHRONOUS MODE

Data transmission for the DPSK mode requires that data ultimately be transmitted in a synchronous fashion. The 73K222BL includes ASYNC/SYNC and SYNC/ASYNC converters, which delete or insert stop bits in order to transmit data within a $\pm 0.01\%$ rate. In asynchronous mode the serial data comes from the TXD pin into the ASYNC/SYNC converter. The ASYNC/SYNC converter accepts the data provided on the TXD pin which normally must be 1200 or 600 bit/s $\pm 1.0\%$, -2.5% . The converter will then insert or delete stop bits in order to output a signal that is 1200 or 600 bit/s $\pm 0.01\%$ ($\pm 0.01\%$ is required synchronous data rate accuracy).

The serial data stream from the ASYNC/SYNC converter is passed through the data scrambler and onto the analog modulator. The data scrambler can be bypassed under processor control when unscrambled data must be transmitted. The ASYNC/SYNC converter and the data scrambler are bypassed in all FSK modes. If serial input data contains a break signal through one character (including start and stop bits) the break will be extended to at least $2 \cdot N + 3$ bits long (where N is the number of transmitted bits/character).

Serial data from the demodulator is passed first through the data descrambler and then through the SYNC/ASYNCH converter. The SYNC/ASYNCH converter will re-insert any deleted stop bits and transmit output data at an intra-character rate (bit-to-bit timing) of no greater than 1219 bit/s. An incoming break signal (low through two characters) will be passed through without incorrectly inserting a stop bit.

The SYNC/ASYNCH converter also has an extended overspeed mode, which allows selection of an overspeed range of either +1% or +2.3%. In the extended overspeed mode, stop bits are output at 7/8 the normal width.

SYNCHRONOUS MODE

The CCITT V.22 standard defines synchronous operation at 600 and 1200 bit/s. The Bell 212A standard defines synchronous operation only at 1200 bit/s. Operation is similar to that of the asynchronous mode except that data must be synchronized to a provided clock and no variation in data transfer rate is allowable. Serial input data appearing at TXD must be valid on the rising edge of TXCLK.

TXCLK is an internally derived signal in internal mode and is connected internally to the RXCLK pin in slave mode. Receive data at the RXD pin is clocked out on the falling edge of RXCLK. The ASYNCH/SYNCH converter is bypassed when synchronous mode is selected and data is transmitted out at the same rate as it is input.

DPSK MODULATOR/DEMODULATOR

The 73K222BL modulates a serial bit stream into di-bit pairs that are represented by four possible phase shifts as prescribed by the Bell 212A or V.22 standards. The baseband signal is then filtered to reduce intersymbol interference on the bandlimited 2-wire telephone line. Transmission occurs using either a 1200 Hz (originate mode) or 2400 Hz carrier (answer mode). Demodulation is the reverse of the modulation process, with the incoming analog signal

eventually decoded into di-bits and converted back to a serial bit stream. The demodulator also recovers the clock, which was encoded into the analog signal during modulation. Demodulation occurs using either a 1200 Hz carrier (answer mode or ALB originate mode) or a 2400 Hz carrier (originate mode or ALB answer mode). The device uses a phase locked loop coherent demodulation technique for optimum receiver performance.

FSK MODULATOR/DEMODULATOR

The FSK modulator produces a frequency modulated analog output signal using two discrete frequencies to represent the binary data. In Bell 103, the standard frequencies of 1270 and 1070 Hz (originate, mark and space) or 2225 and 2025 Hz (answer, mark and space) are used. V.21 mode uses 980 and 1180 Hz (originate, mark and space), or 1650 and 1850 Hz (answer, mark and space). Demodulation involves detecting the received frequencies and decoding them into the appropriate binary value. The rate converter and scrambler/descrambler are bypassed in the Bell 103 or V.21 modes.

PASSBAND FILTERS AND EQUALIZERS

High and low band filters are included to shape the amplitude and phase response of the transmit and receive signals and provide compromise delay equalization and rejection of out-of-band signals in the receive channel. Amplitude and phase equalization are necessary to compensate for distortion of the transmission line and to reduce intersymbol interference in the bandlimited receive signal. The transmit signal filtering approximates a 75% square root of raised Cosine frequency response characteristic.

AGC

The automatic gain control maintains a signal level at the input to the demodulators, which is constant to within 1 dB. It corrects quickly for increases in signal which would cause clipping and provides a total receiver dynamic range of > 45 dB.

(continued)

FUNCTIONAL DESCRIPTION (continued)

PARALLEL BUS INTERFACE

Four 8-bit registers are provided for control, option select and status monitoring. These registers are addressed with the AD0, AD1, and AD2 multiplexed address lines (latched by ALE) and appear to a control microprocessor as four consecutive memory locations. Two control registers and the tone register are read/write memory. The detect register is read only and cannot be modified except by modem response to monitored parameters.

SPECIAL DETECT CIRCUITRY

The special detect circuitry monitors the received analog signal to determine status or presence of carrier, call-progress tones, answer tone and weak received signal (long loop condition). An unscrambled mark request signal is also detected when the received data out of the DPSK demodulator before the descrambler has been high for $165.5 \text{ ms} \pm 6.5 \text{ ms}$ minimum. The appropriate detect register bit is set when one of these conditions changes and an interrupt is generated for all purposes except long loop. The interrupts are disabled (masked) when the enable interrupt bit is set to 0.

DTMF GENERATOR

The DTMF generator will output one of 16 standard tone pairs determined by a 4-bit binary value and TX DTMF mode bit previously loaded into the tone register. Tone generation is initiated when the DTMF mode is selected using the tone register and the transmit enable (CR0 bit D1) is changed from 0 to 1.

DATA SHEET

PIN DESCRIPTION

POWER

NAME	PIN	TYPE	DESCRIPTION
GND	1	I	System Ground
VDD	16	I	Power supply input, 5 V \pm 10%. Bypass with 0.1 and 22 μ F capacitors to GND.
VREF	31	O	An internally generated reference voltage. Bypass with 0.1 μ F capacitor to ground.
ISET	28	I	Chip current reference. Sets bias current for op-amps. The chip current is set by connecting this pin to VDD through a 2 M Ω resistor. ISET should be bypassed to GND with a 0.1 μ F capacitor.

PARALLEL CONTROL INTERFACE

ALE	13	I	Address latch enable. The falling edge of ALE latches the address on AD0-AD2 and the chip select on \overline{CS} .
AD0-AD7	5-12	I/O Tristate	Address/data bus. These bi-directional tri-state multiplexed lines carry information to and from the internal registers.
\overline{CS}	23	I	Chip select. A low on this pin during the falling edge of ALE allows a read cycle or a write cycle to occur. AD0-AD7 will not be driven and no registers will be written if \overline{CS} (latched) is not active. The state of \overline{CS} is latched on the falling edge of ALE.
CLK	2	O	Output clock. This pin is selectable under processor control to be either the crystal frequency (for use as a processor clock) or 16 times the data rate for use as a baud rate clock in DPSK modes only. The pin defaults to the crystal frequency on reset.
\overline{INT}	20	O	Interrupt. This open drain output signal is used to inform the processor that a detect flag has occurred. The processor must then read the detect register to determine which detect triggered the interrupt. \overline{INT} will stay low until the processor reads the detect register or does a full reset.
\overline{RD}	15	I	Read. A low requests a read of the 73K222BL internal registers. Data cannot be output unless both \overline{RD} and the latched \overline{CS} are active or low.
RESET	30	I/with Pull-down	Reset. An active high signal on this pin will put the chip into an inactive state. All control register bits (CR0, CR1, Tone) will be reset. The output of the CLK pin will be set to the crystal frequency. An internal pull-down resistor permits power-on-reset using a capacitor to VDD.

DATA SHEET

PARALLEL CONTROL INTERFACE (continued)

NAME	PIN	TYPE	DESCRIPTION
\overline{WR}	14	I	Write. A low on this pin informs the 73K222BL that data is available on AD0-AD7 for writing into an internal register. Data is latched on the rising edge of \overline{WR} . No data is written unless both \overline{WR} and the latched \overline{CS} are low.

SERIAL CONTROL INTERFACE

NAME	PIN	TYPE	DESCRIPTION
AD0-AD2	5-7	I	Register Address Selection. These lines carry register addresses and should be valid during any read or write operation.
DATA (AD7)	12	I/O	Serial Control Data. Data for a read/write operation is clocked in or out on the falling edge of the EXCLK pin. The direction of data flow is controlled by the \overline{RD} pin. \overline{RD} low outputs data. \overline{RD} high inputs data.
\overline{RD}	15	I	Read. A low on this input informs the 73K222BL that data or status information is being read by the processor. The falling edge of the \overline{RD} signal will initiate a read from the addressed register. The \overline{RD} signal must continue for eight falling edges of EXCLK in order to read all eight bits of the referenced register. Read data is provided LSB first. Data will not be output unless the \overline{RD} signal is active.
\overline{WR}	14	I	Write. A low on this input informs the 73K222BL that data or status information has been shifted in through the DATA pin and is available for writing to an internal register. The normal procedure for a write is to shift in data LSB first on the DATA pin for eight consecutive falling edges of EXCLK and then to pulse \overline{WR} low. Data is written on the rising edge of \overline{WR} .

NOTE: The serial control mode is provided by tying ALE high and \overline{CS} low. In this configuration AD7 becomes DATA and AD0, AD1 and AD2 become the address only.

DTE USER

NAME	PIN	TYPE	DESCRIPTION
EXCLK	22	I	External Clock. This signal is used in synchronous transmission when the external timing option has been selected. In the external timing mode the rising edge of EXCLK is used to strobe synchronous DPSK transmit data applied to on the TXD pin. Also used for serial control interface.
RXCLK	26	O	Receive Clock. The falling edge of this clock output is coincident with the transitions in the serial received data output. The rising edge of RXCLK can be used to latch the valid output data. RXCLK will be valid as long as a carrier is present.
RXD	25	O/ Weak Pull-up	Received Data Output. Serial receive data is available on this pin. The data is always valid on the rising edge of RXCLK when in synchronous mode. RXD will output constant marks if no carrier is detected.
TXCLK	21	O	Transmit Clock. This signal is used in synchronous transmission to latch serial input data on the TXD pin. Data must be provided so that valid data is available on the rising edge of the TXCLK. The transmit clock is derived from different sources depending upon the synchronization mode selection. In internal mode the clock is generated internally. In external mode TXCLK is phase locked to the EXCLK pin. In slave mode TXCLK is phase locked to the RXCLK pin. TXCLK is always active.
TXD	24	I	Transmit Data Input. Serial data for transmission is applied on this pin. In synchronous modes, the data must be valid on the rising edge of the TXCLK clock. In asynchronous modes (1200/600 bit/s or 300 baud) no clocking is necessary. DPSK data must be 1200/600 bit/s +1%, -2.5% or +2.3%, -2.5 % in extended over speed mode.

ANALOG INTERFACE AND OSCILLATOR

NAME	PIN	TYPE	DESCRIPTION
RXA	32	I	Received modulated analog signal input from the telephone line interface.
TXA1 TXA2	18 17	O	Transmit analog output to the telephone line interface.
XTL1 XTL2	3 4	I I	These pins are for the internal crystal oscillator requiring an 11.0592 MHz parallel mode crystal. Load capacitors should be connected from XTL1 and XTL2 to ground. XTL2 can also be driven from an external clock.
$\overline{\text{OH}}$	27	O	Off-hook relay driver. This signal is an open drain output capable of sinking 40 mA and is used for controlling a relay. The output is the complement of the OH register bit in the ID Register.

DATA SHEET

REGISTER DESCRIPTIONS

Four 8-bit internal registers are accessible for control and status monitoring. The registers are accessed in read or write operations by addressing AD0, AD1 and AD2 lines. The address lines are latched by ALE. Register CR0 controls the method by which data is transferred over the phone line. CR1 controls the interface between the microprocessor and the 73K222BL internal state.

DR is the Detect Register, which provides an indication of monitored modem status conditions. TR, the Tone Control Register, controls the DTMF generator, answer and guard tones and RXD output gate used in the modem initial connect sequence. All registers are read/write except for DR, which is read only. Register control and status bits are identified below:

REGISTER BIT SUMMARY

		ADDRESS	DATA BIT NUMBER							
REGISTER		AD2 - AD0	D7	D6	D5	D4	D3	D2	D1	D0
CONTROL REGISTER 0	CR0	000	MODULATION OPTION	0	TRANSMIT MODE 3	TRANSMIT MODE 2	TRANSMIT MODE 1	TRANSMIT MODE 0	TRANSMIT ENABLE	ORIGINATE/ ANSWER
			0 = 1200 BIT/S DPSK 1 = 600 BIT/S DPSK 0 = BELL 103 FSK 1 = V.21 FSK	0000 = PWR DOWN 0001 = INT SYNCH 0010 = EXT SYNCH 0011 = SLAVE SYNCH 0100 = ASYNCH 8 BITS/CHAR 0101 = ASYNCH 9 BITS/CHAR 0110 = ASYNCH 10 BITS/CHAR 0111 = ASYNCH 11 BITS/CHAR 1100 = FSK				0 = DISABLE 1 = ENABLE	0 = ANSWER 1 = ORIGINATE TXA OUTPUT	
CONTROL REGISTER 1	CR1	001	TRANSMIT PATTERN 1	TRANSMIT PATTERN 0	ENABLE DETECT INTERRUPT	BYPASS SCRAMBLER	CLK CONTROL	RESET	TEST MODE 1	TEST MODE 0
			00 = TX DATA 01 = TX ALTERNATE 10 = TX MARK 11 = TX SPACE		0 = DISABLE 1 = ENABLE	0 = NORMAL 1 = BYPASS SCRAMBLER	0 = XTAL 1 = 16 X DATA RATE OUTPUT AT CLK PIN IN DPSK MODE ONLY	0 = NORMAL 1 = RESET	00 = NORMAL 01 = ANALOG LOOPBACK 10 = REMOTE DIGITAL LOOPBACK 11 = LOCAL DIGITAL LOOPBACK	
DETECT REGISTER	DR	010	X	X	RECEIVE DATA	UNSCR. MARKS	CARRIER DETECT	ANSWER TONE	CALL PROGRESS	LONG LOOP
					OUTPUTS RECEIVED DATA STREAM	0 = CONDITION NOT DETECTED 1 = CONDITION DETECTED				
TONE CONTROL REGISTER	TR	011	RXD OUTPUT CONTROL	TRANSMIT GUARD/ TONE	TRANSMIT ANSWER TONE	TRANSMIT DTMF	DTMF3	DTMF2	DTMF1/ OVERSPEED	DTMF0/ GUARD/ ANSWER/ TONE
			RXD PIN 0 = NORMAL 1 = WEAK PULL-UP	0 = OFF 1 = ON	0 = OFF 1 = ON	0 = Disable DTMF 1 = TX DTMF	4 BIT CODE FOR 1 OF 16 DUAL TONE COMBINATIONS			0 = 2225 Hz A.T. 1800 Hz G.T. 1 = 2100 Hz A.T. 500 Hz G.T.
ID REGISTER	10	110	1	0	X	OH	X	X	X	X

00XX = 73K212AL, 322L, 321L
 01XX = 73K221AL, 302L
 10XX = 73K222AL, 222BL
 1100 = 73K224L, 224BL
 1110 = 73K324L, 324BL

X = Undefined, mask in software

0 = OH Relay driver open
 1 = OH Open drain driver pulling low

NOTE: When a register containing reserved control bits is written into, the reserved bits must be programmed as 0's.

X = Undefined, mask in software

DATA SHEET

CONTROL REGISTER 0

CR0 000	D7	D6	D5	D4	D3	D2	D1	D0
	MODUL. OPTION	0	TRANSMIT MODE 3	TRANSMIT MODE 2	TRANSMIT MODE 1	TRANSMIT MODE 0	TRANSMIT ENABLE	ANSWER/ ORIGINATE
BIT NO.	NAME		CONDITION				DESCRIPTION	
D0	Answer/ Originate		0				Selects answer mode (transmit in high band, receive in low band).	
			1				Selects originate mode (transmit in low band, receive in high band).	
D1	Transmit Enable		0				Disables transmit output at TXA.	
			1				Enables transmit output at TXA. Note: TX Enable must be set to 1 to allow Answer Tone and DTMF Transmission as well as data carriers.	
D5, D4, D3, D2	Transmit Mode		D5 D4 D3 D2	Selects power-down mode. All functions disabled except digital interface.				
			0 0 0 0					
			0 0 0 1	Internal synchronous mode. In this mode TXCLK is an internally derived 1200 Hz signal. Serial input data appearing at TXD must be valid on the rising edge of TXCLK. Receive data is clocked out of RXD on the falling edge of RXCLK.				
			0 0 1 0	External synchronous mode. Operation is identical to internal synchronous, but TXCLK is connected internally to EXCLK pin, and a 1200 Hz ± 0.01% clock must be supplied externally.				
			0 0 1 1	Slave synchronous mode. Same operation as other synchronous modes. TXCLK is connected internally to the RXCLK pin in this mode.				
			0 1 0 0	Selects PSK asynchronous mode - 8 bits/character (1 start bit, 6 data bits, 1 stop bit).				
			0 1 0 1	Selects PSK asynchronous mode - 9 bits/character (1 start bit, 7 data bits, 1 stop bit).				
			0 1 1 0	Selects PSK asynchronous mode - 10 bits/character (1 start bit, 8 data bits, 1 stop bit).				
			0 1 1 1	Selects PSK asynchronous mode - 11 bits/character (1 start bit, 8 data bits, Parity and 1 or 2 stop bits).				
			1 1 0 0	Selects FSK operation.				
D6			0				Not used; must be written as a "0."	

DATA SHEET

CONTROL REGISTER 0 (continued)

CR0 000	D7	D6	D5	D4	D3	D2	D1	D0
	MODUL. OPTION	0	TRANSMIT MODE 3	TRANSMIT MODE 2	TRANSMIT MODE 1	TRANSMIT MODE 0	TRANSMIT ENABLE	ANSWER/ ORIGINATE
BIT NO.	NAME	CONDITION			DESCRIPTION			
D7	Modulation Option	D7	D5	D4	Selects:			
		0	0	X	DPSK mode at 1200 bit/s.			
		1	0	X	DPSK mode at 600 bit/s.			
		0	1	1	FSK Bell 103 mode.			
		1	1	1	FSK CCITT V.21 mode.			
						X = Don't care		

CONTROL REGISTER 1

CR1 001	D7	D6	D5	D4	D3	D2	D1	D0
	TRANSMIT PATTERN 1	TRANSMIT PATTERN 0	ENABLE DETECT INTER.	BYPASS SCRAMB	CLK CONTROL	RESET	TEST MODE 1	TEST MODE 0
BIT NO.	NAME	CONDITION		DESCRIPTION				
D1, D0	Test Mode	D1	D0	Selects normal operating mode				
		0	0					
		0	1	Analog loopback mode. Loops the transmitted analog signal back to the receiver, and causes the receiver to use the same center frequency as the transmitter. To squelch the TXA pin, transmit enable must be forced low.				
		1	0	Selects remote digital loopback. Received data is looped back to transmit data internally, and RXD is forced to a mark. Data on TXD is ignored.				
		1	1	Selects local digital loopback. Internally loops TXD back to RXD and continues to transmit carrier from TXA pin.				
D2	Reset	0		Selects normal operation.				
		1		Resets modem to power-down state. All control register bits (CR0, CR1, TONE) are reset to zero. The output of the CLK pin will be set to the crystal frequency. This bit clears itself.				
D3	CLK Control (Clock Control)	0		Selects 11.0592 MHz crystal echo output at CLK pin.				
		1		Selects 16 times the data rate, output at CLK pin in DPSK modes only.				

DATA SHEET

CONTROL REGISTER 1 (continued)

	D7	D6	D5	D4	D3	D2	D1	D0					
CR1 001	TRANSMIT PATTERN 1	TRANSMIT PATTERN 0	ENABLE DETECT INTER.	BYPASS SCRAMB.	CLK CONTROL	RESET	TEST MODE 1	TEST MODE 0					
BIT NO.	NAME		CONDITION	DESCRIPTION									
D4	Bypass Scrambler		0	Selects normal operation. DPSK data is passed through scrambler.									
D5	Enable Detect		1	Selects Scrambler Bypass. Bypass DPSK data is routed around scrambler in the transmit path.									
			0	Disables interrupt at $\overline{\text{INT}}$ pin.									
			1	Enables $\overline{\text{INT}}$ output. An interrupts will be generated with a change in status of DR bits D1-D4. The answer tone and call progress detect interrupts are masked when the TX enable bit is set. Carrier detect is masked when TX DTMF is activated. All interrupts will be disabled if the device is in power-down mode.									
D7, D6	Transmit Pattern		D7 D6	Selects normal data transmission as controlled by the state of the TXD pin.									
			0 0										
			0 1						Selects an alternating mark/space transmit pattern for modem testing.				
			1 0						Selects a constant mark transmit pattern.				
			1 1	Selects a constant space transmit pattern.									

DETECT REGISTER

	D7	D6	D5	D4	D3	D2	D1	D0
DR 010	X	X	RECEIVE DATA	UNSCR. MARK	CARR. DETECT	ANSWER TONE	CALL PROG.	LONG LOOP
BIT NO.	NAME		CONDITION	DESCRIPTION				
D0	Long Loop		0	Indicates normal received signal.				
			1	Indicates low received signal level.				
D1	Call Progress Detect		0	No call progress tone detected.				
			1	Indicates presence of call progress tones. The call progress detection circuitry is activated by energy in the 350 to 620 Hz call progress band.				

DATA SHEET

DETECT REGISTER (continued)

DR 010	D7	D6	D5	D4	D3	D2	D1	D0
	X	X	RECEIVE DATA	UNSCR. MARK	CARR. DETECT	ANSWER TONE	CALL PROG.	LONG LOOP
BIT NO.	NAME		CONDITION	DESCRIPTION				
D2	Answer Tone Detect		0	No answer tone detected.				
			1	Indicates detection of 2225 Hz answer tone in Bell modes or 2100 Hz in CCITT modes. The device must be in originate mode for detection of answer tone. For CCITT answer tone detection, bit D0 of the Tone Register must be set to a 1.				
D3	Carrier Detect		0	No carrier detected in the receive channel.				
			1	Indicates carrier has been detected in the receive channel.				
D4	Unscrambled Mark Detect		0	No unscrambled mark.				
			1	Indicates detection of unscrambled marks in the received data. A valid indication requires that unscrambled marks be received for > 165.5 ± 6.5 ms.				
D5	ReceiveData			Continuously outputs the received data stream. This data is the same as that output on the RXD pin, but it is not disabled when RXD is tri-stated.				
D6, D7	Not Used		Undefined	Not used. Mask in software.				

STONE REGISTER

TR 011	D7	D6	D5	D4	D3	D2	D1	D0
	RXD OUTPUT CONTR.	TRANSMIT GUARD TONE	TRANSMIT ANSWER TONE	TRANSMIT DTMF	DTMF 3	DTMF 2	DTMF 1/ OVER- SPEED	DTMF 0/ ANSWER/ GUARD
BIT NO.	NAME		CONDITION	DESCRIPTION				
D0	DTMF 0/ Answer/ Guard Tone		D6 D5 D4 D0	D0 interacts with bits D6, D5, and D4 as shown.				
			X X 1 X	Transmit DTMF tones.				
			X 0 0 0	Detects 2225 Hz in originate mode.				
			X 1 0 0	Transmits 2225 Hz in answer mode (Bell).				
			X 0 0 1	Detects 2100 Hz in originate mode.				
			X 1 0 1	Transmits 2100 Hz in answer mode (CCITT).				
			1 0 0 0	Select 1800 Hz guard tone.				
			1 0 0 1	Select 550 Hz guard tone.				
D1	DTMF 1/ Overspeed		D4 D1	D1 interacts with D4 as shown.				
			0 0	Asynchronous DPSK +1.0% -2.5%.				
			0 1	Asynchronous DPSK +2.3% -2.5%.				

DATA SHEET

TONE REGISTER (continued)

TR 011	D7	D6	D5	D4	D3	D2	D1	D0		
	RXD OUTPUT CONTR.	TRANSMIT GUARD TONE	TRANSMIT ANSWER TONE	TRANSMIT DTMF	DTMF 3	DTMF 2	DTMF 1/ OVER- SPEED	DTMF 0/ ANSWER/ GUARD		
BIT NO.	NAME		CONDITION	DESCRIPTION						
D3, D2, D1, D0	DTMF 3, 2, 1, 0		DTMF CODE D3 D2 D1 D0	Programs 1 of 16 DTMF tone pairs that will be transmitted when TX DTMF (TONE, Bit D4) and TX ENABLE bit (CR0, Bit D1) are set. Tone encoding is shown below:						
									KEYBOARD EQUIVALENT	
				0	0	0	1	1	697	1209
				0	0	1	0	2	697	1336
				0	0	1	1	3	697	1477
				0	1	0	0	4	770	1209
				0	1	0	1	5	770	1336
				0	1	1	0	6	770	1477
				0	1	1	1	7	852	1209
				1	0	0	0	8	852	1336
				1	0	0	1	9	852	1477
				1	0	1	0	0	941	1336
				1	0	1	1	*	941	1209
				1	1	0	0	#	941	1477
				1	1	0	1	A	697	1633
				1	1	1	0	B	770	1633
1	1	1	1	C	852	1633				
0	0	0	0	D	941	1633				
D4	Transmit DTMF		0	Disable DTMF.						
			1	Activates DTMF. The selected DTMF tones are transmitted continuously when this bit is high and TX ENABLE (CR0, Bit 1) is set to one. TX DTMF overrides all other transmit functions.						
D5	Transmit Answer Tone		D5 D4 D0	D5 interacts with bits D4 and D0 as shown.						
			0 0 X	Disables answer tone generator.						
			1 0 0	Enables answer tone generator. A 2225 Hz answer tone will be transmitted continuously when the TRANSMIT ENABLE bit is set in CR0. The device must be in answer mode.						
			1 0 1	Likewise a 2100 Hz answer tone will be transmitted.						

DATA SHEET

TONE REGISTER (continued)

TR 011	D7	D6	D5	D4	D3	D2	D1	D0
	RXD OUTPUT CONTR.	TRANSMIT GUARD TONE	TRANSMIT ANSWER TONE	TRANSMIT DTMF	DTMF 3	DTMF 2	DTMF 1/ OVER- SPEED	DTMF 0/ ANSWER/ GUARD
BIT NO.	NAME		CONDITION	DESCRIPTION				
D6	Transmit Guard Tone		0	Disables guard tone generator.				
			1	Enables guard tone generator (See D0 for selection of guard tones).				
D7	RXD Output Control		0	Enables RXD pin. Receive data will be output on RXD.				
			1	Disables RXD pin. The RXD pin reverts to a high impedance with internal weak pull-up resistor.				

ID REGISTER

ID 110	D7	D6	D5	D4	D3	D2	D1	D0
	1	0	X	OH	X	X	X	X
BIT NO.	NAME		CONDITION	DESCRIPTION				
D7, D6 D5, D4	DEVICE ID		D7 D6 D5 D4	Indicates device type.				
			0 0 X X	73K212AL, 73K321L or 73K322L				
			0 1 X X	73K221AL or 73K302L				
			1 0 X X	73K222AL, 73K222BL				
			1 1 0 0	73K224AL				
			1 1 1 0	73K324L				
			1 1 0 0	73K224BL				
			1 1 1 0	73K324BL				
D4	OH		0	Relay driver open				
			1	Open drain driver pulling low.				
D5, D3-D1	Not Used		NA	Mask in firmware.				

DATA SHEET

ELECTRICAL SPECIFICATIONS

ABSOLUTE MAXIMUM RATINGS

PARAMETER	RATING
VDD Supply Voltage	7V
Storage Temperature	-65 to 150° C
Reflow Soldering Temperature (10 sec.)/VPS (10 sec.)	235° C/215° C
Applied Voltage	-0.3 to VDD + 0.3 V

NOTE: All inputs and outputs are protected from static charge using built-in, industry standard protection devices and all outputs are short-circuit protected.

RECOMMENDED OPERATING CONDITIONS

PARAMETER	CONDITION	MIN	NOM	MAX	UNIT
VDD Supply Voltage		4.5	5	5.5	V
TA, Operating Free-Air Temperature		-40		+85	°C
Clock Variation	(11.0592 MHz) Crystal or external clock	-0.01		+0.01	%
External Components (Refer to Application section for placement.)					
VREF Bypass Capacitor	External to GND	0.1			μF
Bias Setting Resistor	Placed between VDD and ISET pins	1.8	2	2.2	MΩ
ISET Bypass Capacitor	ISET pin to GND	0.1			μF
VDD Bypass Capacitor 1	External to GND	0.1			μF
VDD Bypass Capacitor 2	External to GND	22	Note 1		μF
XTL1 Load Capacitor	Depends on crystal characteristics from pin to GND			40	pF
XTL2 Load Capacitor	Depends on crystal characteristics from pin to GND			40	
Hybrid Loading	See Figure 1		600		Ω
R1			600		Ω
C	TXA Hybrid Loading		0.033		μF

NOTE: Minimum for optimized system layout; may require higher values for noisy environments.

DATA SHEET

DC ELECTRICAL CHARACTERISTICS

(TA = -40° C to 85° C, VDD = recommended range unless otherwise noted.)

PARAMETER	CONDITION	MIN	NOM	MAX	UNIT
IDD, SUPPLY CURRENT	ISET Resistor = 2 MΩ				
IDDA, Active	CLK = 11.0592 MHz		8	12	mA
IDD1, Power-down	CLK = 11.0592 MHz			4	mA
IDD2, Power-down	CLK = 19.200 kHz			3	mA
DIGITAL INPUTS					
VIH, Input High Voltage					
Reset, XTL1, XTL2		3.0		VDD	V
All other inputs		2.0		VDD	V
VIL, Input Low Voltage		0		0.8	V
IIH, Input High Current	VI = VIH Max			100	μA
IIL, Input Low Current	VI = VIL Min	-200			μA
Reset Pull-down Current	Reset = VDD	1		50	μA
Input Capacitance	All Digital Input Pins			10	pF
DIGITAL OUTPUTS					
VOH, Output High Voltage	IOH MIN = -0.4 mA	2.4		VDD	V
VOL, Output Low Voltage	IO MAX = 1.6 mA			0.4	V
VOL, CLK Output	IO = 3.6 mA			0.6	V
RXD Tri-State Pull-up Current	RXD = GND	-1		-50	μA
CMAX, CLK Output	Maximum Capacitive Load			15	pF
OH Output VOL	IOUT = 40 mA		1.0		V
OH Output VOL	IOUT = 10 mA		0.5		V

DATA SHEET

ELECTRICAL SPECIFICATIONS (continued)

DYNAMIC CHARACTERISTICS AND TIMING

(TA = -40°C to +85°C, VDD = recommended range unless otherwise noted.)

PARAMETER	CONDITION	MIN	NOM	MAX	UNIT
DPSK MODULATOR					
	FIGURE 1				
Carrier Suppression	Measured between TXA1 and TXA2	55			dB
Output Amplitude	TX scrambled marks	-11.5	-10.0	-9	dBm0
FSK MODULATOR/DEMODULATOR					
	FIGURE 1				
Output Frequency Error	CLK = 11.0592 MHz	-0.35		+0.35	%
Transmit Level	Transmit Dotting Pattern	-11.5	-10.0	-9	dBm0
Harmonic Distortion in 700-2900 Hz band	THD in the alternate band DPSK or FSK		-60	-50	DB
Output Bias Distortion	Transmit Dotting Pattern in ALB @ RXD		±8		%
Total Output Jitter	Random Input in ALB @ RXD	-15		+15	%
DTMF GENERATOR					
	FIGURE 1				
Frequency Accuracy		-0.25		+0.25	%
Output Amplitude	Low Tone , DPSK Mode	-10	-9	-8	dBm0
Output Amplitude	High Tone , DPSK Mode	-8	-7	-6	dBm0
Twist	High-Tone to Low-Tone, DPSK Mode	1.0	2.0	3.0	dB
Long Loop Detect	DPSK or FSK	-38		-28	dBm0
Dynamic Range	Refer to Performance Curves		45		dB
CALL PROGRESS DETECTOR					
Detect Level Range	2-Tones in 350 - 600 Hz band	-38		-3	dBm0
Reject Level	2-Tones in 350 - 600 Hz band	-43			dBm0
Delay Time	-70 dBm0 to -30 dBm0 STEP	27		80	ms
Hold Time	-30 dBm0 to -70 dBm0 STEP	27		80	ms
Hysteresis		2			dB

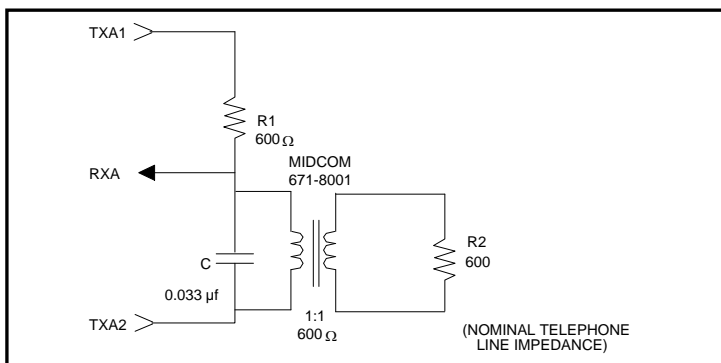


FIGURE 1: Analog Interface Hybrid Loading

NOTE: Parameters expressed in dBm0 refer to signals at the telephone line, i.e., across R2 in Figure 1. All units in dBm0 are measured at the line input to the transformer. The interface circuit (Figure 1) inserts an 8 dB loss in the transmit path (TXA1 - TXA2 to line), and a 3 dB loss in the receive path (line to RXA).

DATA SHEET

DYNAMIC CHARACTERISTICS AND TIMING (continued)

PARAMETER	CONDITION	MIN	NOM	MAX	UNIT
CARRIER DETECT		DPSK or FSK			
Threshold	Receive data	-48		-43	dBm0
Delay Time	-70 dBm0 to -30 dBm0 STEP	15		45	ms
Hysteresis	Single tone detected	2	3.0		dB
Hold Time	-30 dBm0 to -70 dBm0 STEP	10		24	ms
ANSWER TONE DETECTOR					
Detect Level	Not in V.21 mode	-48		-42	dBm0
Delay Time	-70 dBm0 to -30 dBm0 STEP	20		45	ms
Hold Time	-30 dBm0 to -70 dBm0 STEP	10		30	ms
Detect Frequency Range		-2.5		+2.5	%
OUTPUT SMOOTHING FILTER					
Output	TXA1 to TXA2, loaded as shown in Figure 1 (2% THD)	±2.5			V
Spurious Frequency Components	Frequency = 76.8 kHz			-39	dBm0
	Frequency = 153.6 kHz			-45	dBm0
Clock Noise	TXA pin; 76.8 kHz			1.0	mVrms
CARRIER VCO					
Capture Range	Originate or Answer	-10		+10	Hz
Capture Time	-10 Hz to +10 Hz Carrier Frequency Change Assumption		40	100	ms
RECOVERED CLOCK					
Capture Range	% of frequency center frequency (center at 1200 Hz)	-625		+625	ppm
Data Delay Time	Analog data in at RXA pin to receive data valid at RXD pin		30	50	ms

DATA SHEET

DYNAMIC CHARACTERISTICS AND TIMING (continued)

PARAMETER	CONDITION	MIN	NOM	MAX	UNIT
GUARD TONE GENERATOR					
Tone Accuracy	550 Hz				
	1800 Hz	-20		+20	Hz
Tone Level (Below DPSK Output)	550 Hz	-4.0	-3.0	-2.0	dB
	1800 Hz	-7.0	-6.0	-5.0	dB
Harmonic Distortion 700 to 2900 Hz	550 Hz			-50	dB
	1800 Hz			-60	dB
TIMING (Refer to Timing Diagrams)					
TAL	\overline{CS} /Address setup before ALE Low	12			ns
TLA	\overline{CS}	0			ns
	ADD	10			ns
TLC	ALE Low to $\overline{RD}/\overline{WR}$ Low	10			ns
TCL	$\overline{RD}/\overline{WR}$ Control to ALE High	0			ns
TRD	Data out from \overline{RD} Low	0		70	ns
TLL	ALE width	15			ns
TRDF	Data float after \overline{RD} High			50	ns
TRW	\overline{RD} width	50			ns
TWW	\overline{WR} width	50			ns
TDW	Data setup before \overline{WR} High	15			ns
TWD	Data hold after WR High	12			ns
TCKD	Data out after EXCLK Low			200	ns
TCKW (serial mode)	\overline{WR} after EXCLK Low	150			ns
TDCK (serial mode)	Data setup before EXCLK Low	150			ns
TAC (serial mode)	Address setup before control*	50			ns
TCA (serial mode)	Address hold after control*	50			ns
TWH (serial mode)	Data Hold after EXCLK	20			

* Control for setup is the falling edge of \overline{RD} or \overline{WR} . Control for hold is the falling edge of \overline{RD} or the rising edge of \overline{WR} .

NOTE: Asserting ALE, \overline{CS} , and \overline{RD} or \overline{WR} concurrently can cause unintentional register accesses. When using non-8031 compatible processors, care must be taken to prevent this from occurring when designing the interface logic.

TIMING DIAGRAMS

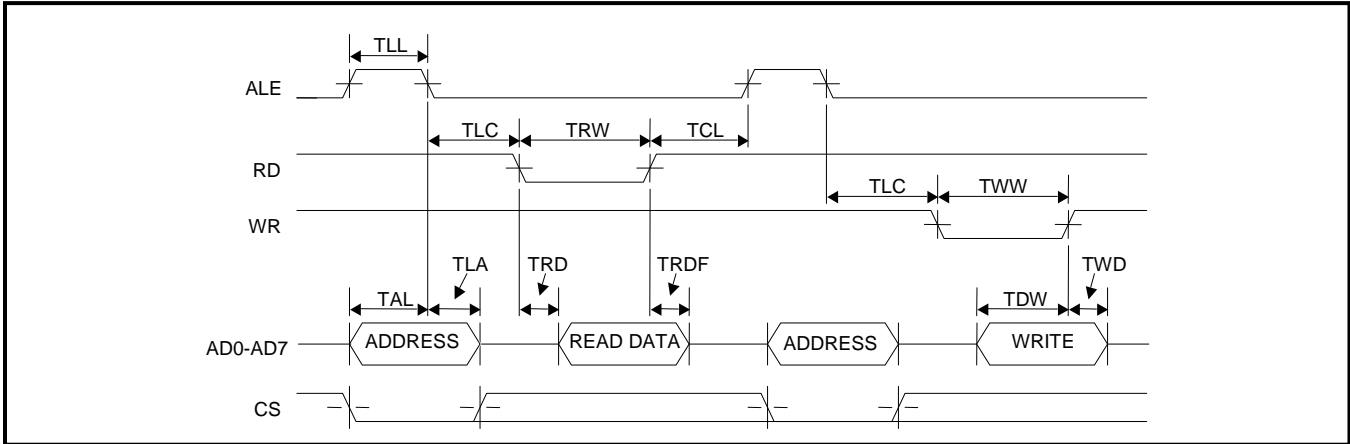


FIGURE 2: Bus Timing Diagram

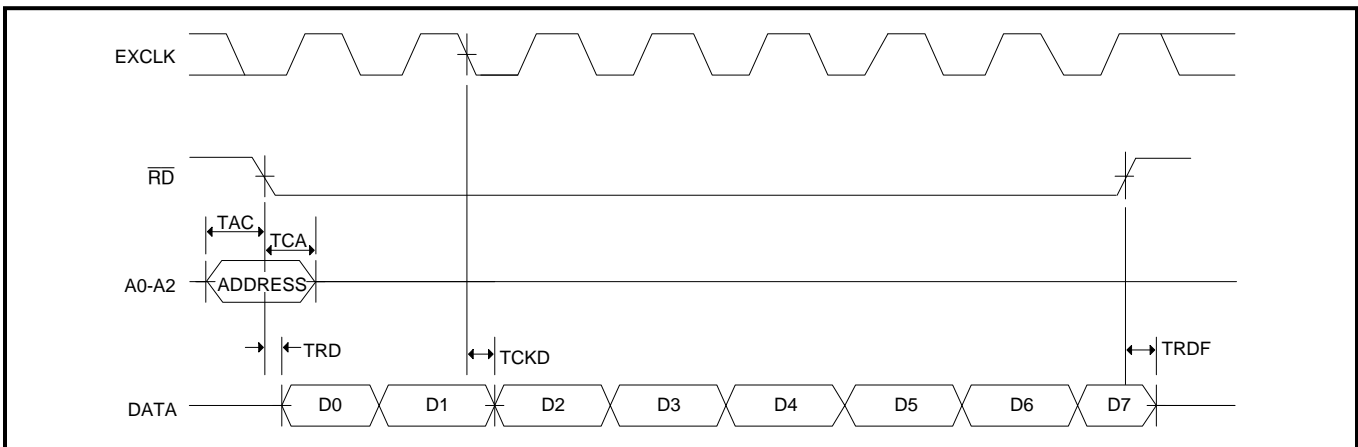


FIGURE 3: Read Timing Diagram (Serial Version)

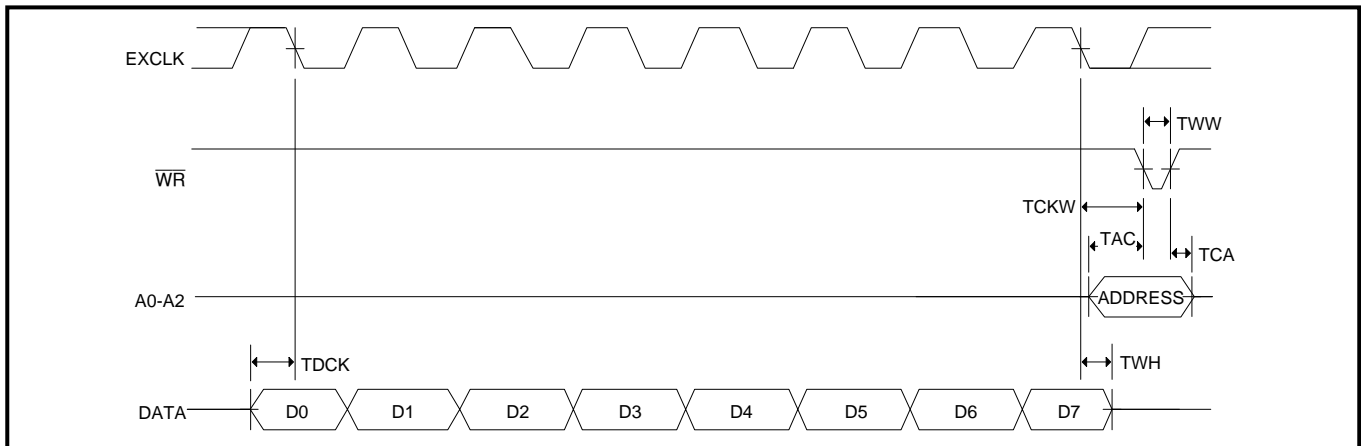


FIGURE 4: Write Timing Diagram (Serial Version)

APPLICATIONS INFORMATION

GENERAL CONSIDERATIONS

Figure 5 shows the basic circuit diagram for a 73K222BL modem integrated circuit designed to be used in conjunction with a control processor, a UART or RS-232 serial data interface, and a DAA phone line interface to function as a typical intelligent modem. The K-Series ICs interface directly with Intel 8048 and 80C51 microprocessors for control and status monitoring purposes.

A typical DAA arrangement is shown in Figure 5. This diagram is for reference only and does not represent a production-ready modem design.

In most applications the controller will monitor the serial data for commands from the DTE and the received data for break signals from the far end modem. In this way, commands to the modem are sent over the same line as the transmitted data. In other applications the RS-232 interface handshake lines are used for modem control.

(continued)

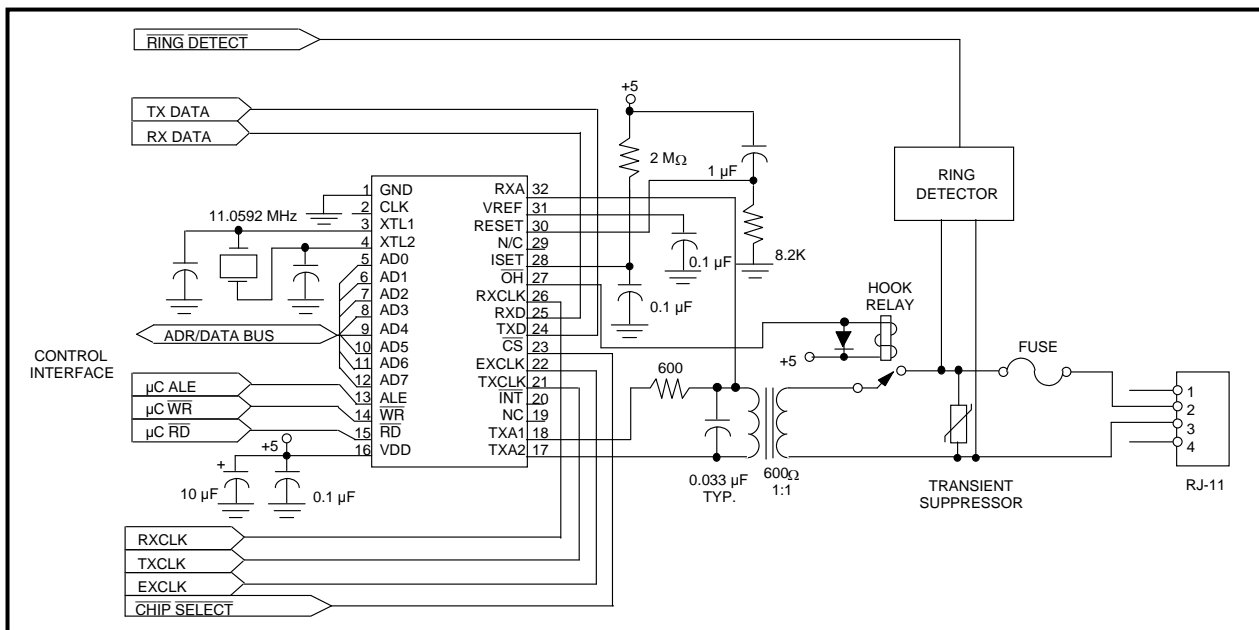


FIGURE 5: Typical 73K222BL DAA Circuit

APPLICATIONS INFORMATION (continued)**DIRECT ACCESS ARRANGEMENT (DAA)**

The DAA (Direct Access Arrangement) required for the 73K222BL consists of an impedance matching resistor, telecom coupling transformer, and ring detection and fault protection circuitry.

The transformer specifications must comply with the impedance of the country in which the modem is being operated. Transformers designed specifically for use with the telephone network should be used. These may present a DC load to the network themselves (a "wet" transformer) or they may require AC coupling with a DC load provided by additional devices (a "dry" transformer). A dry transformer will generally provide higher performance and smaller size than a wet transformer. A wet transformer allows a simpler design, but must not saturate with the worst case DC current passing through it or distortion and poor performance will result.

The protection circuitry typically consists of a transient suppression device and current limiter to protect the user and the telephone network from hazardous voltages that can be present under fault conditions. The transient suppressor may be a MOV (metal oxide varistor), Sidactor (Teccor Electronics Inc.), spark gap device, or avalanche diode. Some devices clamp the transient to their specified break down voltage and others go into low impedance crowbar state. The latter require that the fault current to cease before they can return to their inactive state.

Current limiting devices can consist of a resistor, Raychem PolySwitch resettable fuse, or slow blow fuse that can withstand the transient tests without permanent damage or replacement.

Ring detection circuitry is not required by the FCC, but may be required by the application. The ring detector usually consists of an optoisolator, capacitor, and resistor to present the proper AC load to the network to meet the REN (Ring Equivalency Number) regulations of FCC Part 68. The K-Series Design Manual contains detailed information on the design of a ring detect circuits as well as the other topics concerning the DAA.

DESIGN CONSIDERATIONS

TERIDIAN Semiconductor's 1-chip modem products include all basic modem functions. This makes these devices adaptable for use in a variety of applications, and as easy to control as conventional digital bus peripherals.

Unlike digital logic circuitry, modem designs must properly contend with precise frequency tolerances and very low level analog signals, to ensure acceptable performance. Using good analog circuit design practices will generally result in a sound design. Following are additional recommendations, which should be taken into consideration when starting new designs.

CRYSTAL OSCILLATOR

The K-Series crystal oscillator requires a parallel mode (antiresonant) crystal, which operates at 11.0592 MHz. It is important that this frequency be maintained to within $\pm 0.01\%$ accuracy.

In order for a parallel mode crystal to operate correctly and to specification, it must have a capacitor connected to the junction of each of the crystal and internal inverter connections, terminated to ground. The values of these capacitors depend primarily on the crystal's characteristics, and to a lesser degree on the internal inverter circuit. The values used affect the accuracy and start up characteristics of the oscillator.

LAYOUT CONSIDERATIONS

Good analog/digital design rules must be used to control system noise in order to obtain highest performance in modem designs. The more digital circuitry present on the PC board, the more this attention to noise control is needed. The modem should be treated as a high performance analog device. A 22 μF electrolytic capacitor in parallel with a 0.1 μF ceramic capacitor between VDD and GND is recommended. Liberal use of ground planes and larger traces on power and ground are also highly favored. High speed digital circuits tend to generate a significant amount of EMI (Electro-Magnetic Interference), which must be minimized in order to meet regulatory agency limitations. To accomplish this, high speed digital devices should be locally bypassed, and the telephone line interface and K-Series device should be located close to each other near the area of the board where the phone line connection is accessed.

To avoid problems, power supply and ground traces should be routed separately to the analog and digital functions on the board, and digital signals should not be routed near low level or high impedance analog traces. The analog and digital grounds should only connect at one point near the K-Series device ground pin to avoid ground loops. The K-Series modem ICs should have both high frequency and low frequency bypassing as close to the package as possible.

USING THE SERIAL MODE ON THE 73K2XXAL AND 73K222BL

A sensitivity to specific patterns being written to the control registers in the 73K212/221/222AL and 73K222BL modem data pumps has been seen on some parts when used in the serial control interface mode. An alternating pattern followed by its complement can cause the registers to not have the intended data correctly written to the registers. Specifically, if an alternating ..1010.. pattern is followed by its compliment, ..0101.., the register may instead be programmed with a ..0001.. pattern. After analysis, it has been found that any normal programming sequence should not include these steps with one exception, and that is in DTMF dialing. Since any random DTMF sequence could be dialed, there is the potential for these patterns to appear. For example, if a DTMF digit "5" , 0101 bin is followed by a DTMF digit "0" , 1010 bin, some parts will instead transmit a DTMF digit "8" , 1000 bin, in its place. The solution to this problem is to always clear the DTMF bits, D3-D0, between dialed digits. This will not add additional time to dialing since there is ample time between digits when the DTMF bits can be cleared. Previously during the DTMF off time the next digit would be loaded into the TONE register. It is now recommended to first clear bits D3-D0, then the next digit to be dialed is loaded into the DTMF bits.

As mentioned earlier, under normal circumstances these patterns would not be programmed for other registers. If for some reason other registers are programmed in such a way that an alternating pattern is followed by its compliment, those bits should be cleared before the complimentary pattern is sent.

This method has been tested over the entire voltage and temperature operating ranges. It has been found to be a reliable procedure to ensure the correct patterns are always programmed.

MODEM PERFORMANCE CHARACTERISTICS

The curves presented here define modem IC performance under a variety of line conditions while inducing disturbances that are typical of those encountered during data transmission on public service telephone lines. Test data was taken using an AEA Electronics' "Autotest I" modem test set and line simulator, operating under computer control. All tests were run full-duplex, using a Concord Data Systems 224 as the reference modem. A 511 pseudo-random-bit pattern was used for each data point. Noise was C-message weighted and all signal-to-noise (S/N) ratios reflect total power measurements similar to the CCITT V.56 measurement specification. The individual tests are defined as follows.

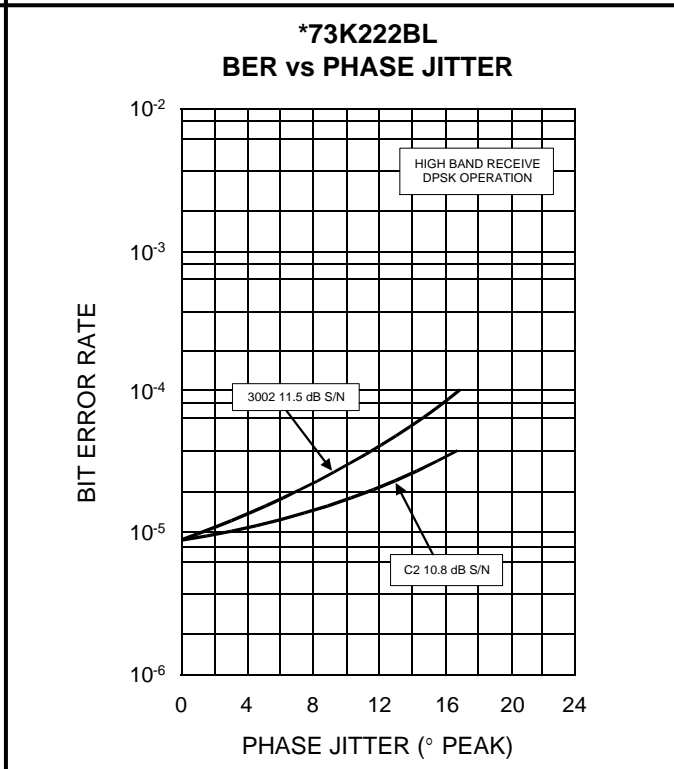
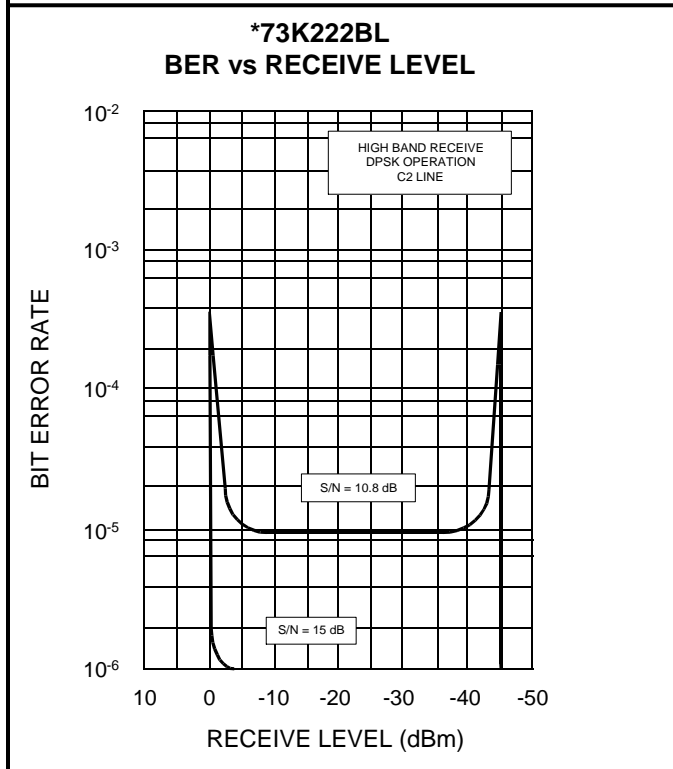
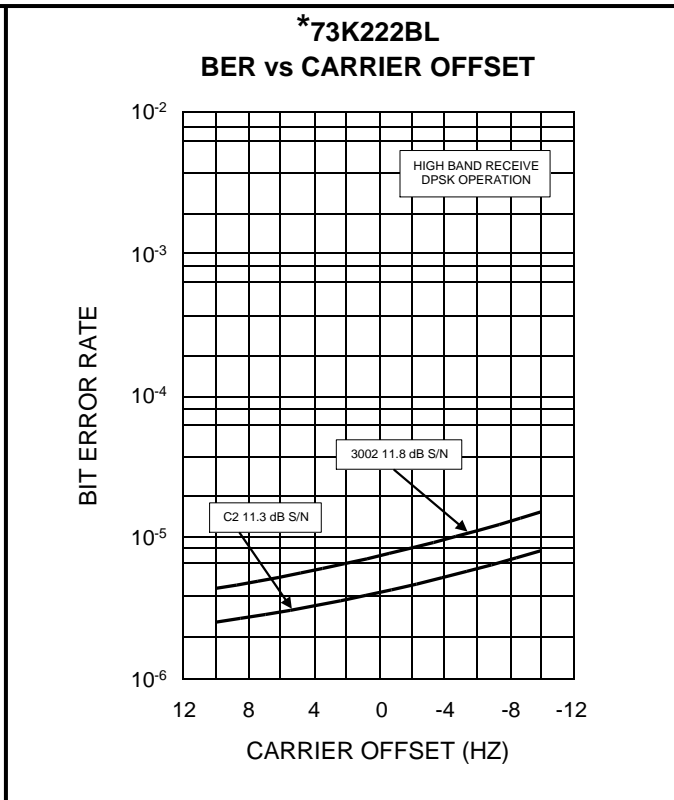
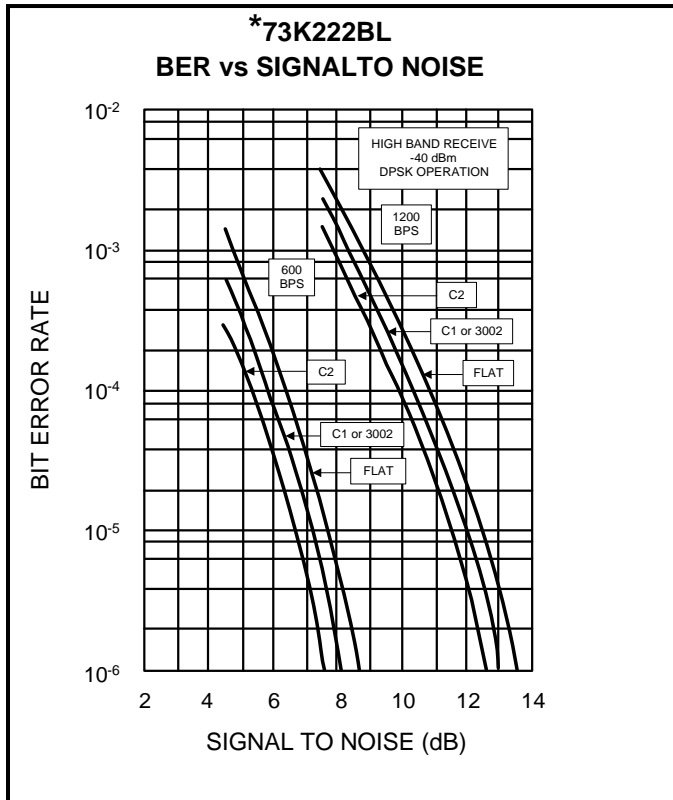
BER VS. S/N

This test measures the ability of the modem to operate over noisy lines with a minimum of data-transfer errors. Since some noise is generated in the best of dial-up lines, the modem must operate with the lowest S/N ratio possible. Better modem performance is indicated by test curves that are closest to the BER axis. A narrow spread between curves representing the four line parameters indicates minimal variation in performance while operating over a range of operating conditions. Typically, a DPSK modem will exhibit better BER performance test curves receiving in the low band than in the high band.

BER VS. RECEIVE LEVEL

This test measures the dynamic range of the modem. Because signal levels vary widely over dial-up lines, the widest possible dynamic range is desirable. The minimum Bell specification calls for 36 dB of dynamic range. S/N ratios are held constant at the indicated values while the receive level is lowered from a very high to very low signal levels. The width of the "bowl" of these curves, taken at the BER point, is the measure of dynamic range.

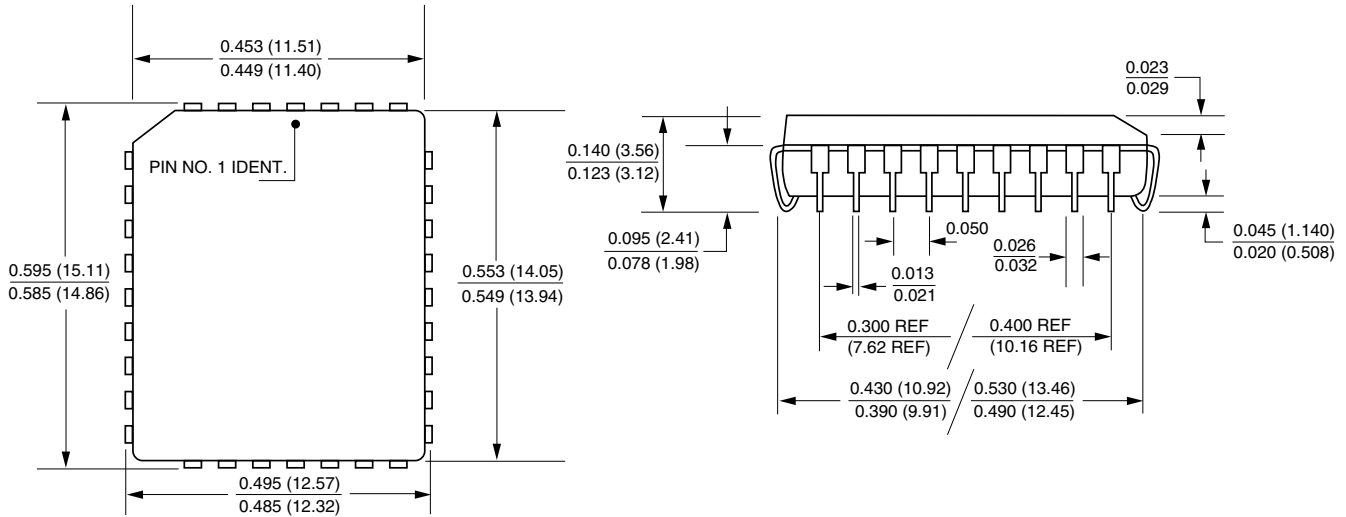
APPLICATIONS INFORMATION (continued)



* = "EQ On" Indicates bit CR1 D4 is set for additional phase equalization.

MECHANICAL SPECIFICATIONS

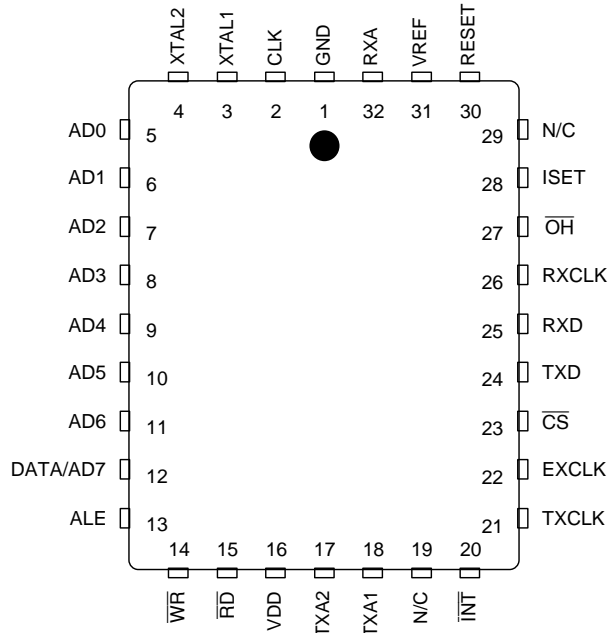
32-Pin PLCC



DATA SHEET

PACKAGE PIN DESIGNATIONS
 (Top View)

CAUTION: Use handling procedures necessary for a static sensitive component.



32-Pin PLCC
73K222BL-IH

ORDERING INFORMATION

PART DESCRIPTION	ORDER NO.	PACKAGING MARK
73K222BL 32-Pin PLCC Lead-Free	73K222BL-IH/F	73K222BL-IH
73K222BL 32-Pin PLCC Lead-Free Tape / Reel	73K222BL-IHR/F	73K222BL-IH

No responsibility is assumed by TERIDIAN Semiconductor Corporation for use of this product nor for any infringements of patents and trademarks or other rights of third parties resulting from its use. No license is granted under any patents, patent rights or trademarks of TERIDIAN Semiconductor Corporation and the company reserves the right to make changes in specifications at any time without notice. Accordingly, the reader is cautioned to verify that the data sheet is current before placing orders.

TERIDIAN Semiconductor Corporation, 6440 Oak Canyon Rd., Irvine, CA 92618-5201, (714) 508-8800, FAX: (714) 508-8877,
<http://www.teridian.com>