

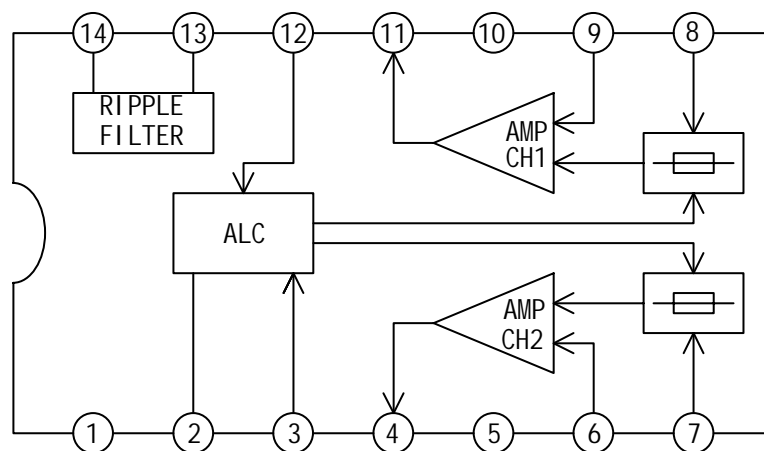
## DESCRIPTION

The IT7312 is a monolithic integrated circuit designed for dual pre-amplifier circuit with ALC for recording/playback amplifier of cassette tape recorder.

## FEATURES

- \*High open loop gain
- \*Incorporates ALC detector circuit
- \*No input coupling condenser
- \*Low noise and current consumption
- \*Wide ALC range
- \*Wide operating voltage range:  $V_{cc}=5V\sim 12V$
- \*Low power on shock noise

## BLOCK DIAGRAM



**ABSOLUTE MAXIMUM RATINGS** (Tamb=25 )

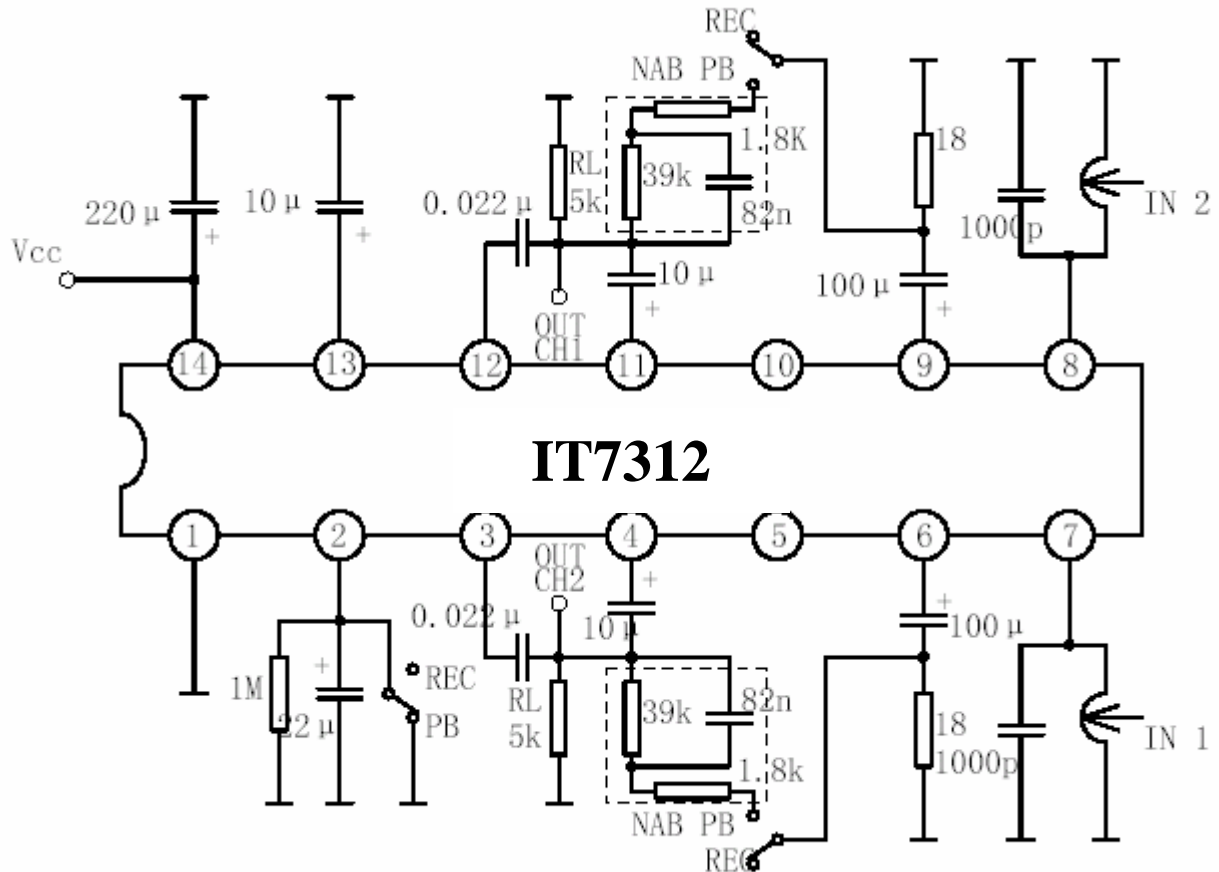
CHARACTERISTIC	SYMBOL	VALUE	UNIT
Supply Voltage	Vcc	14	V
Supply Current	Icc	50	mA
Power Dissipation	Pd	700	mW
Operating Temperature	Topr	-55 to +125	
Storage Temperature	Tstr	-65 to +150	

**ELECTRICAL CHARACTERISTICS**

(Tamb=25 , Vcc=6V, f=1KHz, unless otherwise specified)

CHARACTERISTIC	SYMBOL	TEST CONDITION	MIN	TYP	MAX	UNIT
Quiescent Current	Iccq	Vin=0	2.5	4.5	8.0	mA
Operating Voltage	Vcc		5.0		12.0	V
Closed Loop Voltage Gain	Gv	Vo=0.5V	66	69	72	dB
Total Harmonic Distortion	THD	Vo=0.5V		0.5	1.0	%
Output Voltage	Vo	THD=1%	1.2	1.6		V
Output Noise Voltage	VNO	Rg=0(internal resistance 1.5k DIN/Audio)		2.0	5.0	mV
ALC Voltage	VALC	Vin=400 μ V	0.55	0.63	0.7	V
ALC Width	WALC	Beginning 0dB to 3dB	35	47		dB
ALC Balance	Gv	Vo=0.5V	-1	0	+1	dB

APPLICATION CIRCUIT



OUTLINE DRAWING

DIP-14

unit:mm

