



SGM4996

1.3W Fully Differential Audio Power Amplifier with Selectable Shutdown

GENERAL DESCRIPTION

The SGM4996 is a fully differential audio power amplifier that is designed for portable communication device applications and demanding applications in mobile phones. It is capable of delivering 1.3W of continuous average power into an 8Ω load with typically 1% distortion (THD+N) from a 5V battery voltage. It operates from 2.5V to 5.5V power supply.

The SGM4996 features a low power consumption shutdown mode. To be flexible, shutdown may be enabled by either a logic high or low depending on the voltage applied on the SD MODE pin. Additionally, the SGM4996 features an internal thermal shutdown protection mechanism.

The SGM4996 contains advanced pop/click circuitry, with a minimal amount of external components. All these features make SGM4996 ideal for wireless handsets and other low voltage applications where minimal power consumption is a primary requirement.

The SGM4996 is available in Green MSOP-10, TDFN-3×3-10L and MSOP-8 packages. It operates over an ambient temperature range of -40°C to +85°C.

FEATURES

- Fully Differential Amplifier
- Excellent PSRR: Direct Connection to Battery
- 1.3W into 8Ω Load from 5V Supply at THD+N = 1% (TYP)
- 2.5V to 5.5V Operation
- Low Shutdown Current
- Improved Pop/Click Circuitry
- Support Single-Ended or Differential Input
- Thermal Overload Protection Circuitry
- No Output Coupling Capacitors, Bootstrap Capacitors Required
- External Gain Configuration Capability
- -40°C to +85°C Operating Temperature Range
- Green MSOP-10, TDFN-3×3-10L and MSOP-8 Packages

APPLICATIONS

Portable Systems
Wireless Handsets
Mobile Phone
Handheld Computers
PDAs
GPS

PACKAGE/ORDERING INFORMATION

MODEL	ORDER NUMBER	PACKAGE DESCRIPTION	PACKAGE OPTION	MARKING INFORMATION
SGM4996	SGM4996YMS10G/TR	MSOP-10	Tape and Reel, 3000	SGM4996YMS10
	SGM4996YD10G/TR	TDFN-3x3-10L	Tape and Reel, 3000	SGM4996D
	SGM4996YMS8G/TR	MSOP-8	Tape and Reel, 3000	SGM4996YMS8

ABSOLUTE MAXIMUM RATINGS

Supply Voltage.....6V
 Input Voltage.....-0.3V to (V_{CC}) + 0.3V
 Storage Temperature Range.....-65°C to +150°C
 Junction Temperature.....150°C
 Operating Temperature Range.....-40°C to +85°C
 Lead Temperature Range (Soldering 10 sec)
260°C
 ESD Susceptibility
 HBM.....4000V
 MM.....400V

NOTE:

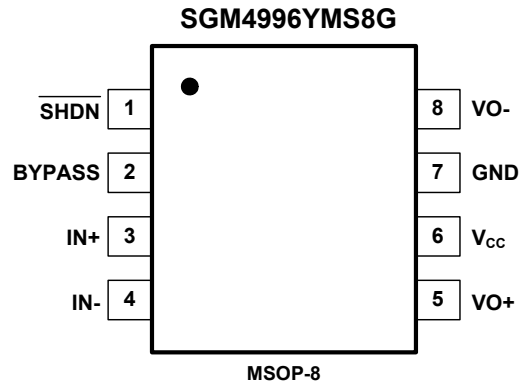
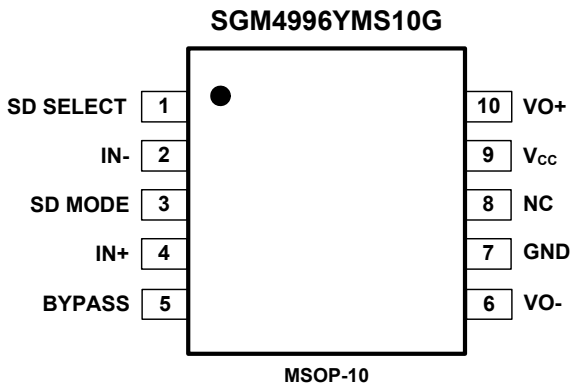
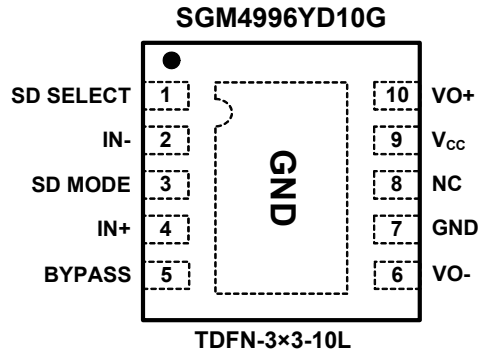
Stresses beyond those listed under “Absolute Maximum Ratings” may cause permanent damage to the device. These are stress ratings only, and functional operation of the device at these or any other conditions beyond those indicated in the operational sections of the specifications is not implied. Exposure to absolute maximum rating conditions for extended periods may affect device reliability.

CAUTION

This integrated circuit can be damaged by ESD if you don't pay attention to ESD protection. SGMICRO recommends that all integrated circuits be handled with appropriate precautions. Failure to observe proper handling and installation procedures can cause damage. ESD damage can range from subtle performance degradation to complete device failure. Precision integrated circuits may be more susceptible to damage because very small parametric changes could cause the device not to meet its published specifications.

SGMICRO reserves the right to make any change in circuit design, specification or other related things if necessary without notice at any time. Please contact SGMICRO sales office to get the latest datasheet.

PIN CONFIGURATIONS (TOP VIEW)



ELECTRICAL CHARACTERISTICS

(The following AC specifications apply for 8Ω load, $A_V = 1V/V$, $T_A = +25^\circ\text{C}$, unless otherwise specified.)

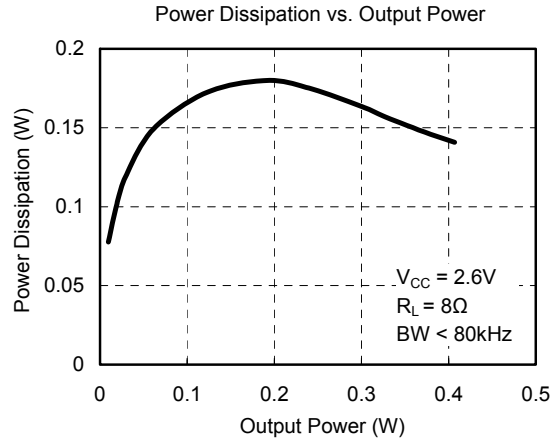
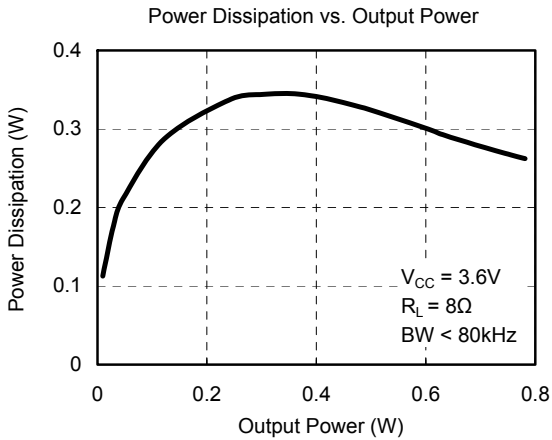
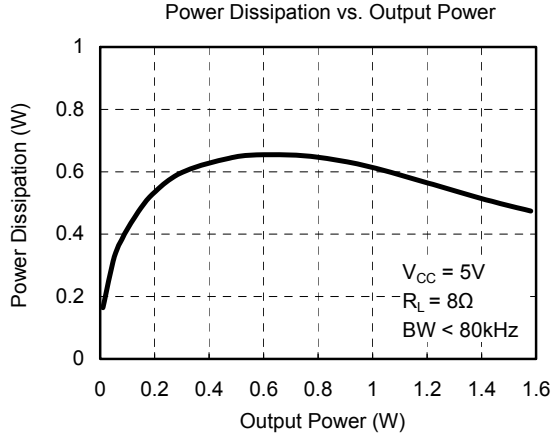
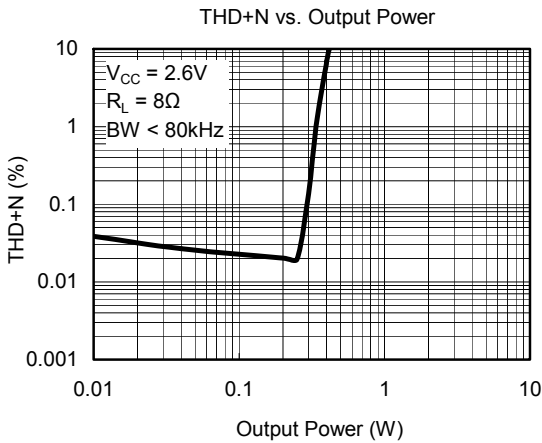
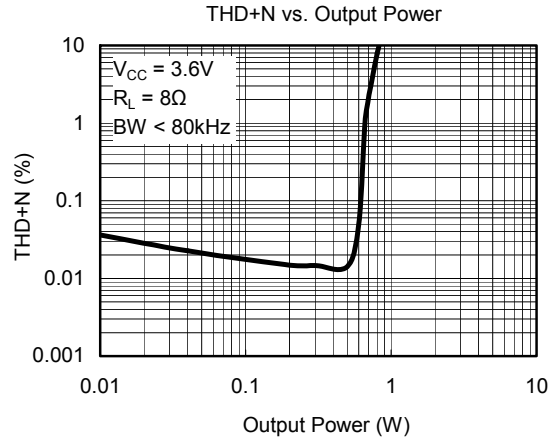
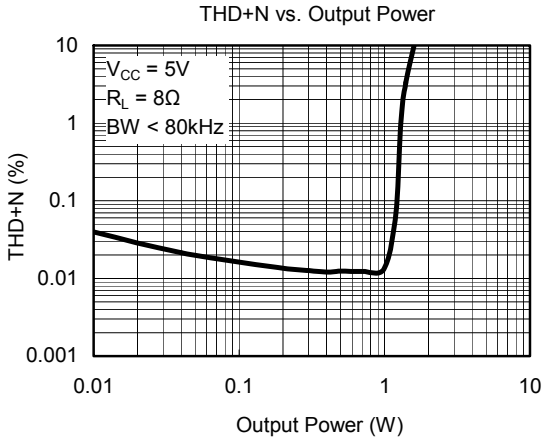
PARAMETER	SYMBOL	CONDITIONS	MIN	TYP	MAX	UNITS
Supply Voltage	V_{CC}		2.5		5.5	V
Shutdown Current	I_{SD}	SDM = SDS = GND or SDM = SDS = V_{CC}	$V_{CC} = 5.0V$	0.01	2	μA
			$V_{CC} = 3.6V$	0.01		
			$V_{CC} = 2.6V$	0.01		
Output Offset Voltage	V_{OS}	$V_{IN} = 0V, I_O = 0A$	-10	2	10	mV
Quiescent Power Supply Current	I_Q	$V_{IN} = 0V$	$V_{CC} = 5.0V, \text{No Load}$	4.70	7.5	mA
			$V_{CC} = 5.0V, 8\Omega \text{ Load}$	4.73	8	
			$V_{CC} = 3.6V, \text{No Load}$	3.85	6	
			$V_{CC} = 3.6V, 8\Omega \text{ Load}$	3.87		
			$V_{CC} = 2.6V, \text{No Load}$	3.20		
			$V_{CC} = 2.6V, 8\Omega \text{ Load}$	3.21		
SD SELECT Threshold High	V_{SDSIH}		1.2			V
SD SELECT Threshold Low	V_{SDSIL}			0.4		
SD MODE Threshold High	V_{SDMIH}		1.2			
SD MODE Threshold Low	V_{SDMIL}			0.4		
Output Power (8Ω)	P_O	$f = 1\text{kHz},$ $\text{THD+N} = 1\%$	$V_{CC} = 5.0V$	1.30		W
			$V_{CC} = 3.6V$	0.66		
			$V_{CC} = 3.0V$	0.46		
			$V_{CC} = 2.6V$	0.33		
		$f = 1\text{kHz},$ $\text{THD+N} = 10\%$	$V_{CC} = 5.0V$	1.60		
			$V_{CC} = 3.6V$	0.82		
			$V_{CC} = 3.0V$	0.57		
			$V_{CC} = 2.6V$	0.41		
Total Harmonic Distortion + Noise	THD+N	$P_O = 0.6W_{rms}, f = 1\text{kHz}, V_{CC} = 5.0V$		0.013		%
Power Supply Rejection Ratio ⁽¹⁾⁽²⁾	PSRR	$V_{RIPPLE} = 200mV_{P-P}$ $C_B = 1\mu F, f = 217\text{Hz}$	$V_{CC} = 5.0V$	-85		dB
			$V_{CC} = 3.6V$	-81		
			$V_{CC} = 3.0V$	-64		
			$V_{CC} = 2.6V$	-54		
		$V_{RIPPLE} = 200mV_{P-P}$ $C_B = 1\mu F, f = 1\text{kHz}$	$V_{CC} = 5.0V$	-83		
			$V_{CC} = 3.6V$	-80		
			$V_{CC} = 3.0V$	-64		
			$V_{CC} = 2.6V$	-54		
Common Mode Rejection Ratio ⁽²⁾	CMRR	$f = 217\text{Hz}, V_{CM} = 200mV_{P-P}, V_{CC} = 5.0V$		-81		dB
Wake-Up Time	T_{WU}	$C_B = 1\mu F$	$V_{CC} = 5.0V$	68		ms
			$V_{CC} = 3.6V$	53		
			$V_{CC} = 3.0V$	45		
			$V_{CC} = 2.6V$	40		

NOTES:

- 10Ω terminated input.
- PSRR and CMRR are affected by the matching between gain-setting resistor ratios.

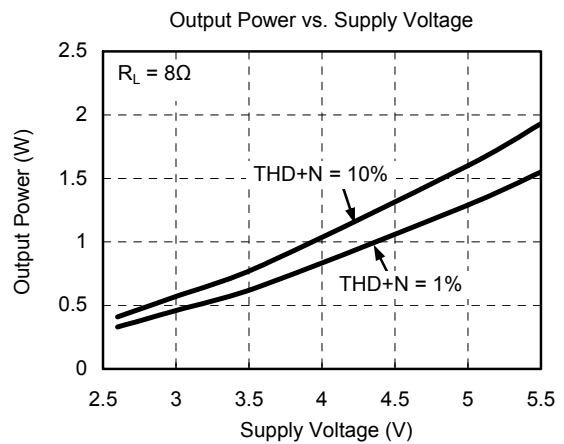
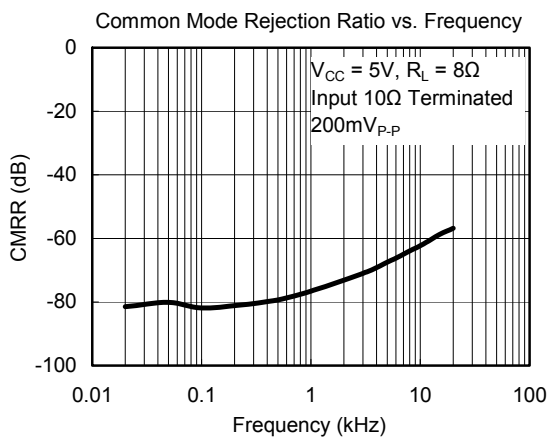
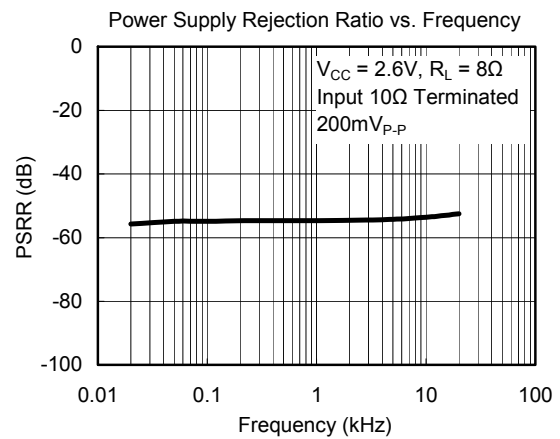
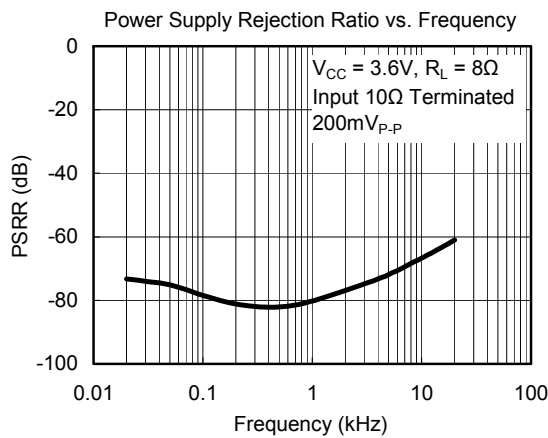
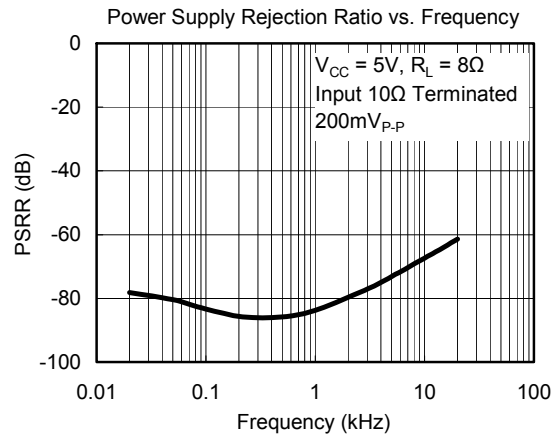
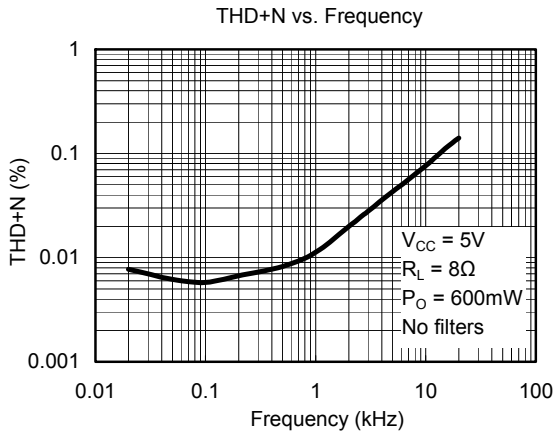
TYPICAL PERFORMANCE CHARACTERISTICS

At $T_A = +25^\circ\text{C}$, $A_V = 1$, $f = 1\text{kHz}$, $C_B = 1\mu\text{F}$, unless otherwise noted.



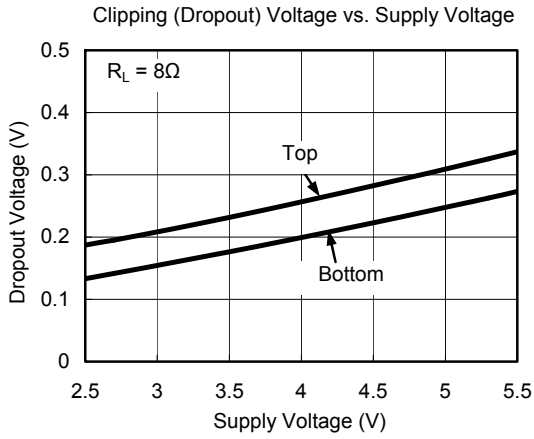
TYPICAL PERFORMANCE CHARACTERISTICS

At $T_A = +25^\circ\text{C}$, $A_V = 1$, $f = 1\text{kHz}$, $C_B = 1\mu\text{F}$, unless otherwise noted.

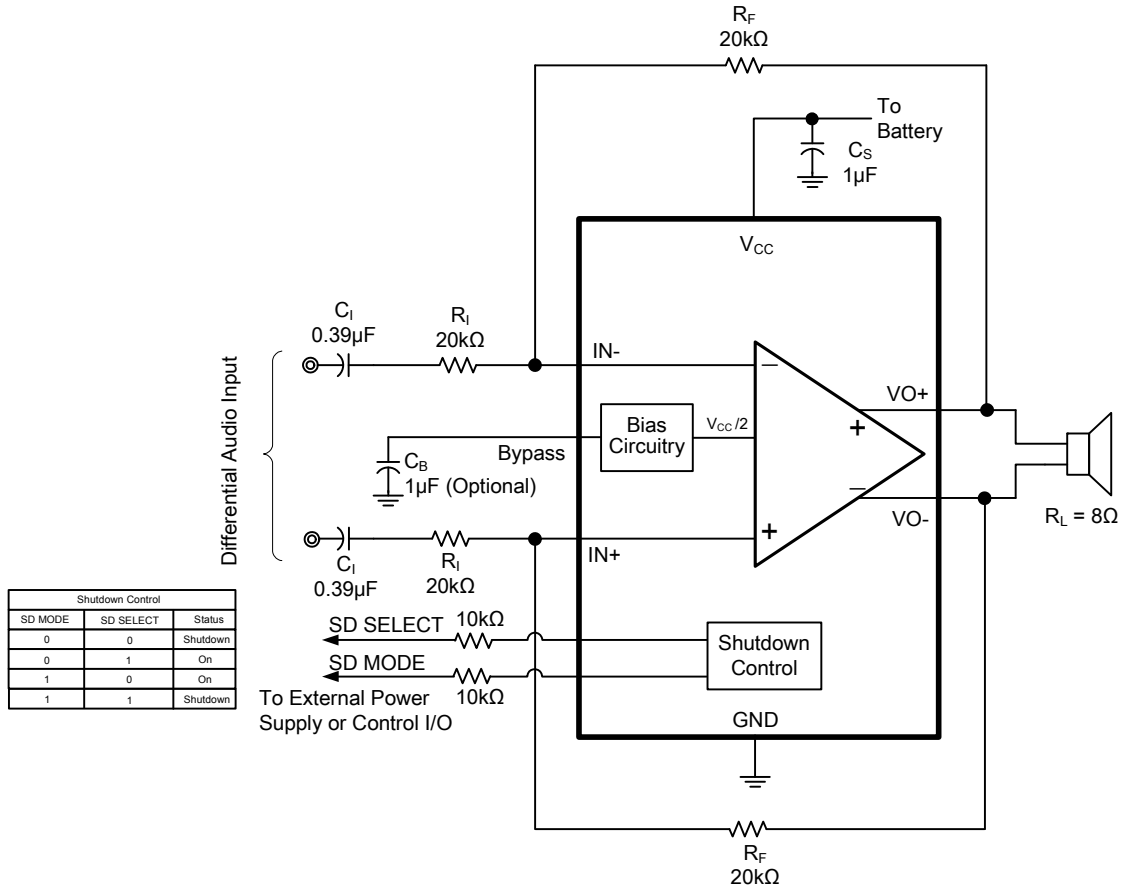


TYPICAL PERFORMANCE CHARACTERISTICS

At $T_A = +25^\circ\text{C}$, $A_V = 1$, $f = 1\text{kHz}$, $C_B = 1\mu\text{F}$, unless otherwise noted.



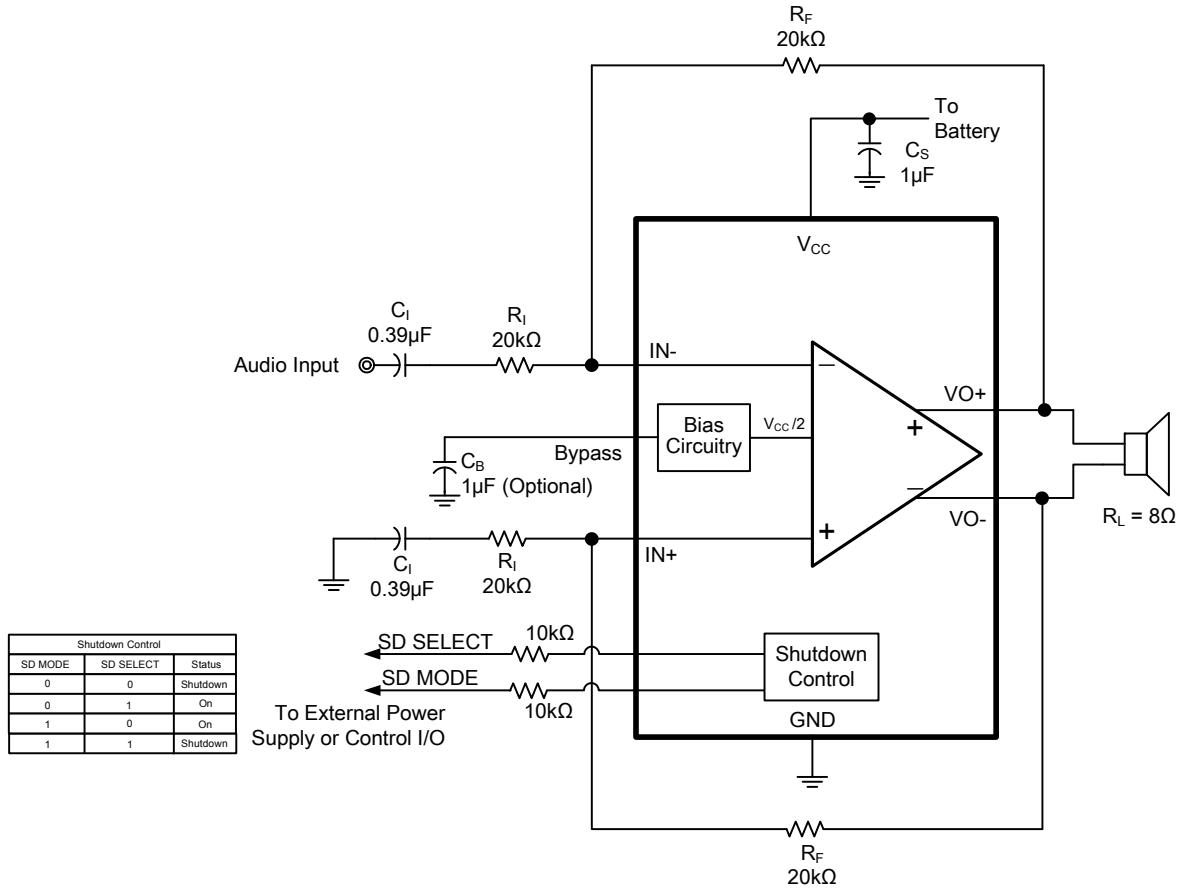
APPLICATION CIRCUITS



NOTE: A 10kΩ resistor must be serially connected to SD SELECT or SD MODE pin.

Figure 1. Typical Differential Input Application Schematic

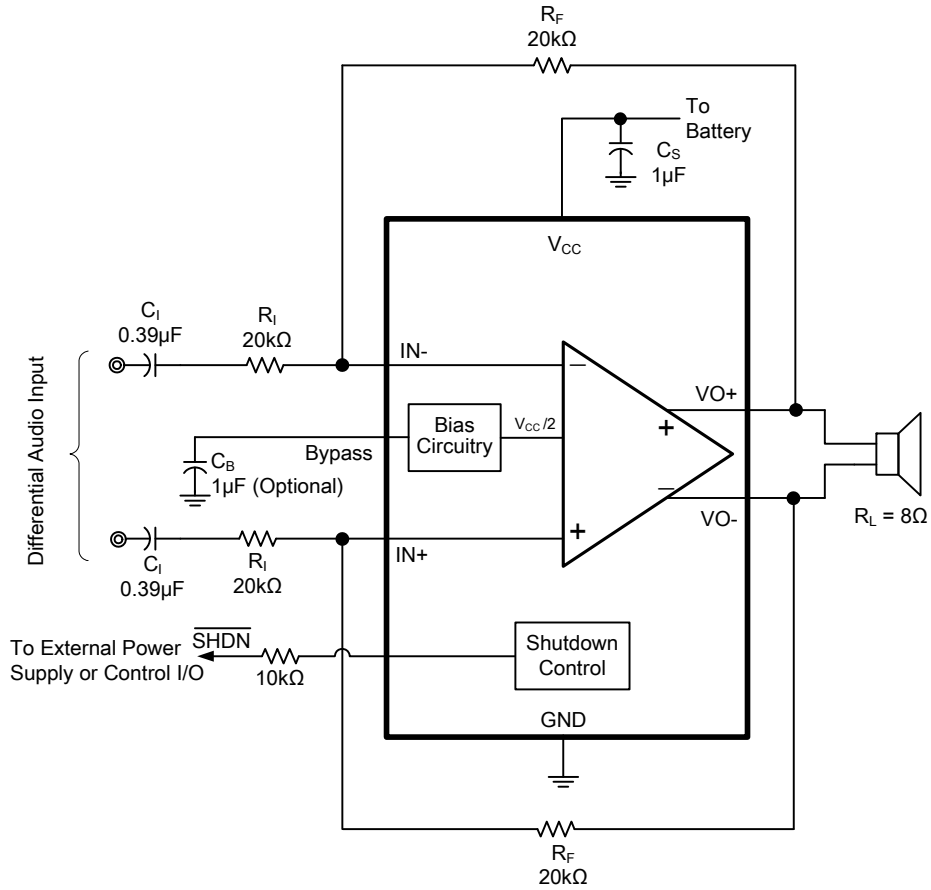
APPLICATION CIRCUITS



NOTE: A 10kΩ resistor must be serially connected to SD SELECT or SD MODE pin.

Figure 2. Single-Ended Input Application Schematic

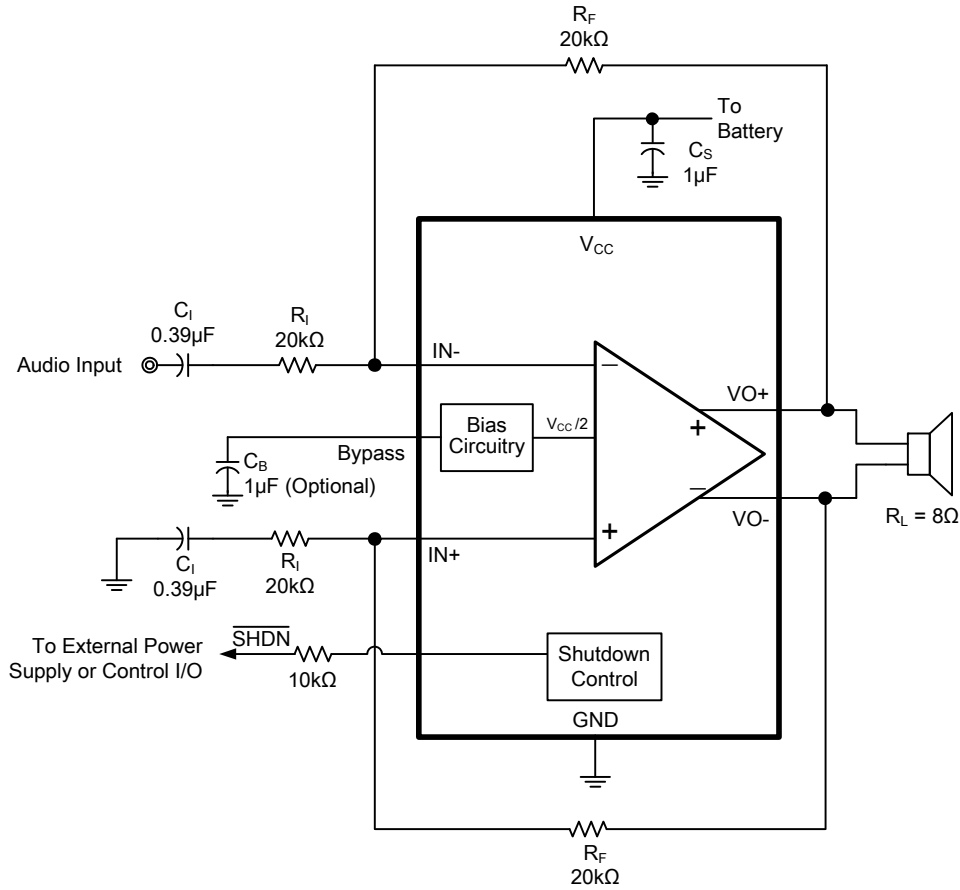
APPLICATION CIRCUITS



NOTE: A 10kΩ resistor must be serially connected to $\overline{\text{SHDN}}$ pin.

Figure 3. Typical Differential Input Application Schematic for SGM4996YMS8G

APPLICATION CIRCUITS

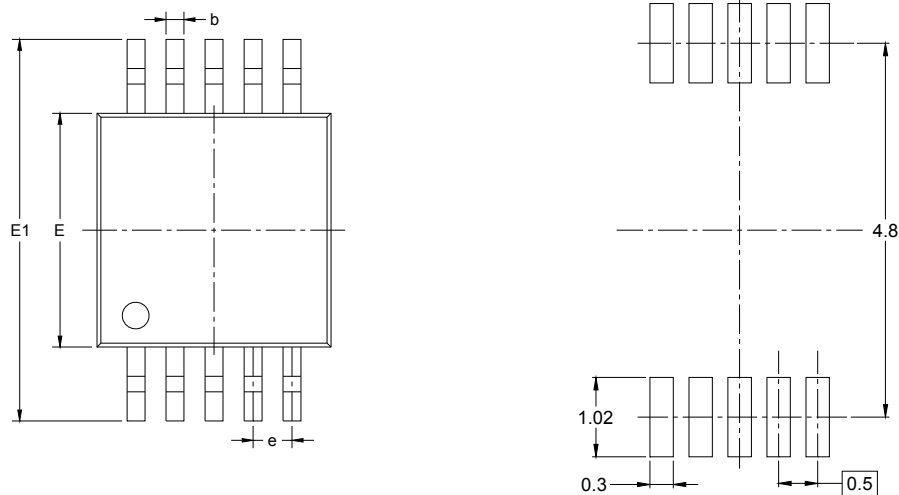


NOTE: A 10kΩ resistor must be serially connected to $\overline{\text{SHDN}}$ pin.

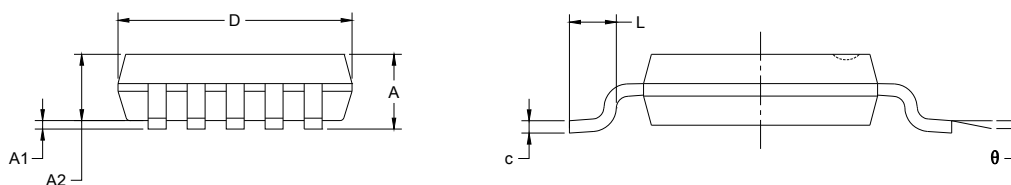
Figure 4. Single-Ended Input Application Schematic for SGM4996YMS8G

PACKAGE OUTLINE DIMENSIONS

MSOP-10



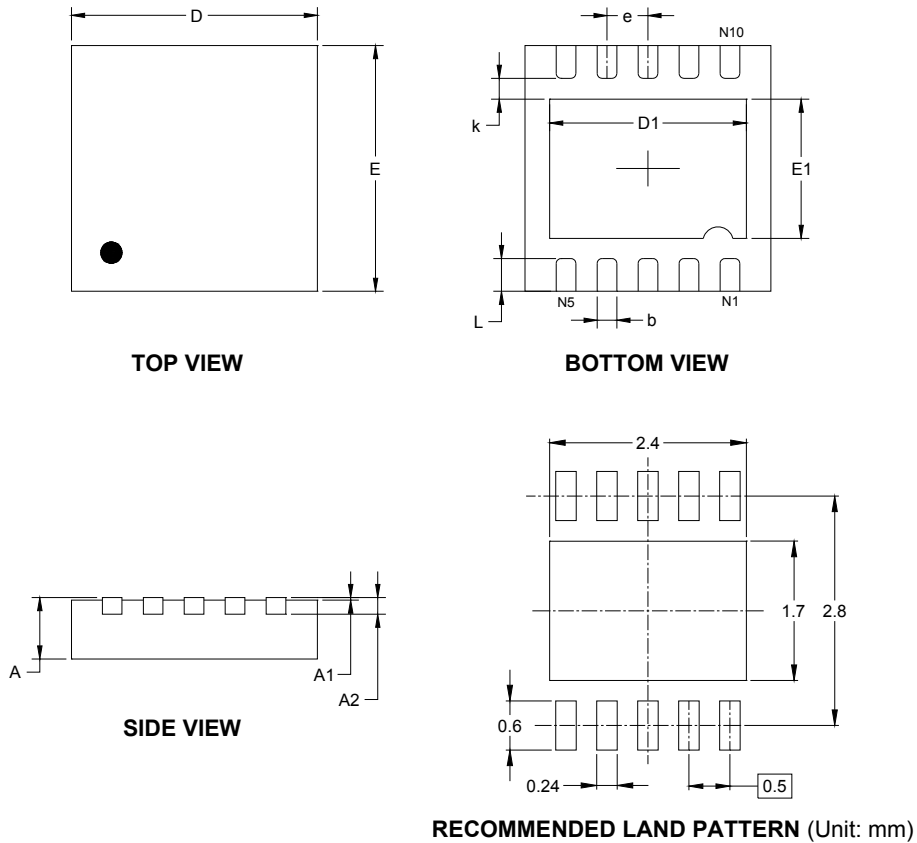
RECOMMENDED LAND PATTERN (Unit: mm)



Symbol	Dimensions In Millimeters		Dimensions In Inches	
	MIN	MAX	MIN	MAX
A	0.820	1.100	0.032	0.043
A1	0.020	0.150	0.001	0.006
A2	0.750	0.950	0.030	0.037
b	0.180	0.280	0.007	0.011
c	0.090	0.230	0.004	0.009
D	2.900	3.100	0.114	0.122
E	2.900	3.100	0.114	0.122
E1	4.750	5.050	0.187	0.199
e	0.500 BSC		0.020 BSC	
L	0.400	0.800	0.016	0.031
θ	0°	6°	0°	6°

PACKAGE OUTLINE DIMENSIONS

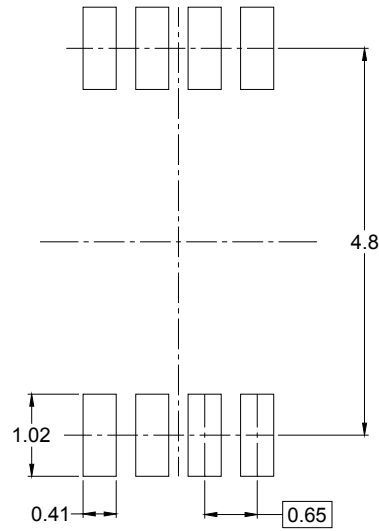
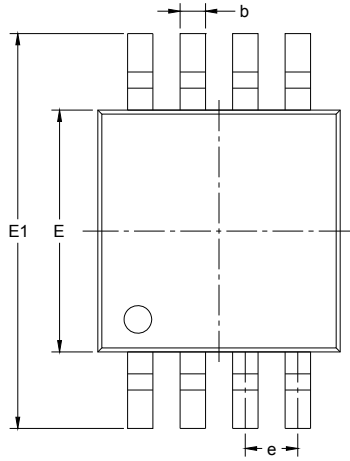
TDFN-3x3-10L



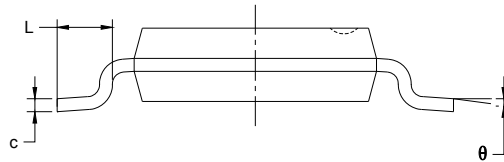
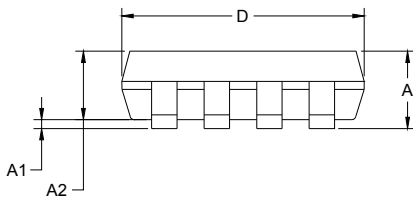
Symbol	Dimensions In Millimeters		Dimensions In Inches	
	MIN	MAX	MIN	MAX
A	0.700	0.800	0.028	0.031
A1	0.000	0.050	0.000	0.002
A2	0.203 REF		0.008 REF	
D	2.900	3.100	0.114	0.122
D1	2.300	2.500	0.091	0.098
E	2.900	3.100	0.114	0.122
E1	1.600	1.800	0.063	0.071
k	0.200 MIN		0.008 MIN	
b	0.180	0.300	0.007	0.012
e	0.500 TYP		0.020 TYP	
L	0.300	0.500	0.012	0.020

PACKAGE OUTLINE DIMENSIONS

MSOP-8



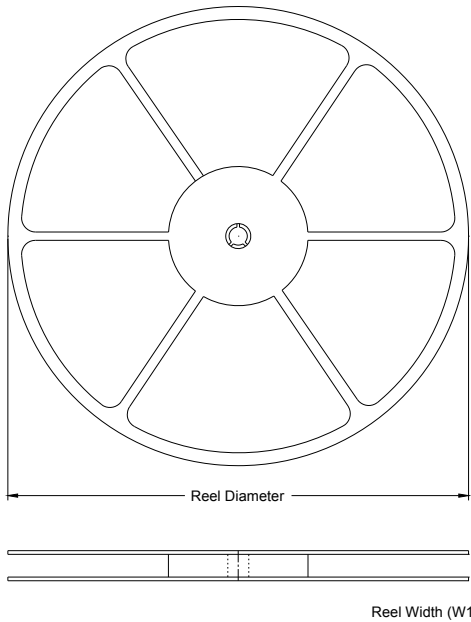
RECOMMENDED LAND PATTERN (Unit: mm)



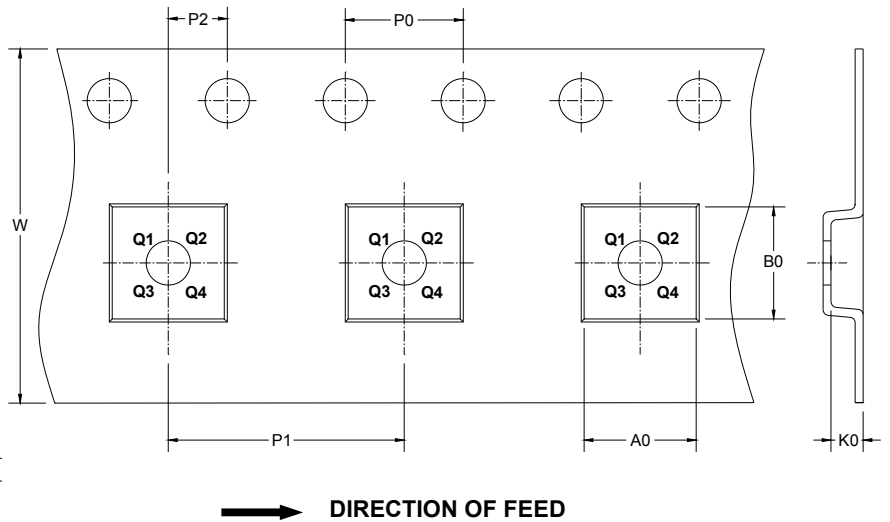
Symbol	Dimensions In Millimeters		Dimensions In Inches	
	MIN	MAX	MIN	MAX
A	0.820	1.100	0.032	0.043
A1	0.020	0.150	0.001	0.006
A2	0.750	0.950	0.030	0.037
b	0.250	0.380	0.010	0.015
c	0.090	0.230	0.004	0.009
D	2.900	3.100	0.114	0.122
E	2.900	3.100	0.114	0.122
E1	4.750	5.050	0.187	0.199
e	0.650 BSC		0.026 BSC	
L	0.400	0.800	0.016	0.031
θ	0°	6°	0°	6°

TAPE AND REEL INFORMATION

REEL DIMENSIONS



TAPE DIMENSIONS



NOTE: The picture is only for reference. Please make the object as the standard.

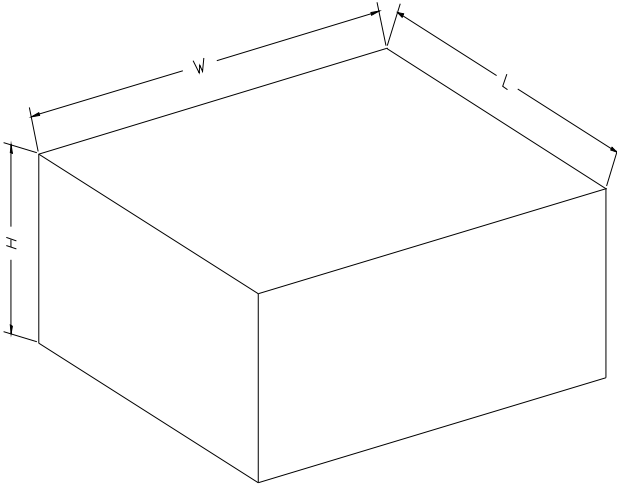
KEY PARAMETER LIST OF TAPE AND REEL

Package Type	Reel Diameter	Reel Width W1 (mm)	A0 (mm)	B0 (mm)	K0 (mm)	P0 (mm)	P1 (mm)	P2 (mm)	W (mm)	Pin1 Quadrant
MSOP-8	13"	12.4	5.2	3.3	1.5	4.0	8.0	2.0	12.0	Q1
TDFN-3x3-10L	13"	12.4	3.35	3.35	1.13	4.00	8.00	2.00	12.00	Q1
MSOP-10	13"	12.4	5.2	3.3	1.2	4.0	8.0	2.0	12.0	Q1

SGM4996

1.3W Fully Differential Audio Power Amplifier with Selectable Shutdown

CARTON BOX DIMENSIONS



NOTE: The picture is only for reference. Please make the object as the standard.

KEY PARAMETER LIST OF CARTON BOX

Reel Type	Length (mm)	Width (mm)	Height (mm)	Pizza/Carton
13"	386	280	370	5