



LC7982A

LCD Dot Matrix Graphics Display Controller

Overview

The LC7982A is an LCD dot matrix graphics display controller IC. It stores display data sent from an 8-bit microcontroller in external display RAM and generates dot matrix LCD drive signals. Applications can select either of two modes: graphics mode, in which each bit in external RAM controls the on/off state of an individual pixel (dot) on the LCD, and character mode, in which character codes are stored in external RAM and the dot pattern is generated using the built-in character generator ROM. Thus the LC7982A can support a wide range of applications. The LC7982A is fabricated in a CMOS process, and in conjunction with a CMOS microcontroller, can implement low-power LCD display systems. This device differs from the LC7981 only in the data stored in the built-in character generator ROM.

Features

- LCD dot matrix and graphics display controller
- Display control capacity
 - Graphics mode 512 K dots (2^{16} bytes)
 - Character mode 4096 characters (2^{12} bytes)
- Character generator ROM 7360 bits
 - European character support

| | | |
|-----------------------------|----------------|------------------|
| Character font: 5 × 7 dots | 160 characters | } 192 characters |
| Character font: 5 × 11 dots | 32 characters | |

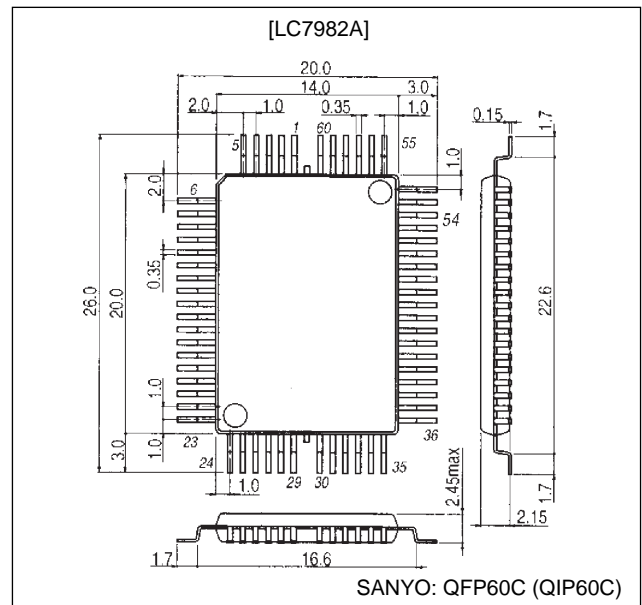
 (Can be expanded by up to 4 KB using external ROM.)
- Supports interfacing with 8-bit microcontrollers.
- Display duty (program selectable)
 - From static to 1/256 duty

- Extensive set of command functions
 - Scroll, cursor on/off/blink, character blinking, bit manipulation
- Display methods : Method A and method B (program selectable)
- Built-in oscillator circuit (Using an external resistor and capacitor)
- Low power
- +5V single-voltage power supply

Package Dimensions

unit: mm

3055A-QFP60C



■ Any and all SANYO products described or contained herein do not have specifications that can handle applications that require extremely high levels of reliability, such as life-support systems, aircraft's control systems, or other applications whose failure can be reasonably expected to result in serious physical and/or material damage. Consult with your SANYO representative nearest you before using any SANYO products described or contained herein in such applications.

■ SANYO assumes no responsibility for equipment failures that result from using products at values that exceed, even momentarily, rated values (such as maximum ratings, operating condition ranges, or other parameters) listed in products specifications of any and all SANYO products described or contained herein.

SANYO Electric Co., Ltd. Semiconductor Business Headquarters

TOKYO OFFICE Tokyo Bldg., 1-10, 1 Chome, Ueno, Taito-ku, TOKYO, 110-8534 JAPAN

Specifications

Absolute Maximum Ratings at Ta = 25°C, GND = 0 V

| Parameter | Symbol | Conditions | Ratings | Unit |
|-----------------------------|---------------------|------------|------------------------------|------|
| Maximum supply voltage | V _{DD} max | | -0.3 to +7.0 | V |
| Input voltage | V _I | | -0.3 to V _{DD} +0.3 | V |
| Output voltage | V _O | | -0.3 to V _{DD} +0.3 | V |
| Allowable power dissipation | Pd max | Ta = 75°C | 200 | mW |
| Operating temperature | Topr | | -20 to +75 | °C |
| Storage temperature | Tstg | | -55 to +125 | °C |

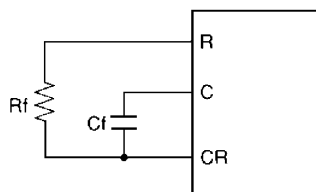
Allowable Operating Ranges at Ta = -20 to +75°C, GND = 0 V

| Parameter | Symbol | Conditions | Ratings | | | Unit |
|----------------------------|------------------|--|-----------------------|-----|---------------------|------|
| | | | min | typ | max | |
| Supply voltage | V _{DD} | | 4.75 | | 5.25 | V |
| High-level input voltage | V _{IH1} | Input and I/O pins other than $\overline{\text{SYNC}}$ and CR. | 2.2 | | V _{DD} | V |
| Low-level input voltage | V _{IL1} | Input and I/O pins other than $\overline{\text{SYNC}}$ and CR. | 0 | | 0.8 | V |
| High-level input voltage | V _{IH2} | $\overline{\text{SYNC}}$, CR | 0.7 V _{DD} | | V _{DD} | V |
| Low-level input voltage | V _{IL2} | $\overline{\text{SYNC}}$, CR | 0 | | 0.3 V _{DD} | V |
| High-level output voltage | V _{OH1} | I _{OH} = -0.6 mA, DB0 to DB7, $\overline{\text{WE}}$, MA0 to MA15, MD0 to MD7 | 2.4 | | V _{DD} | V |
| Low-level output voltage | V _{OL1} | I _{OL} = 1.6 mA, DB0 to DB7, $\overline{\text{WE}}$, MA0 to MA15, MD0 to MD7 | 0 | | 0.4 | V |
| High-level output voltage | V _{OH2} | I _{OH} = -0.6 mA, $\overline{\text{SYNC}}$, CPO, FLM, CL1, CL2, D1, D2, MA, MB | V _{DD} - 0.4 | | V _{DD} | V |
| Low-level output voltage | V _{OL2} | I _{OL} = 0.6 mA, $\overline{\text{SYNC}}$, CPO, FLM, CL1, CL2, D1, D2, MA, MB | 0 | | 0.4 | V |
| [Internal Clock Operation] | | | | | | |
| Clock oscillator frequency | f _{OSC} | Cf = 15 pF ±5%, Rf = 39 kΩ ±2%*1 | 500 | 600 | 700 | kHz |
| [External Clock Operation] | | | | | | |
| Clock operating frequency | f _{CP} | *2 | | | 2.5 | MHz |
| Clock duty | Duty | *3 | 47.5 | 50 | 52.5 | % |
| Clock rise time | trcp | *3 | | | 50 | ns |
| Clock fall time | tfcf | *3 | | | 50 | ns |

Electrical Characteristics at Ta = -20 to +75°C, GND = 0 V, V_{DD} = 5 V ±5%

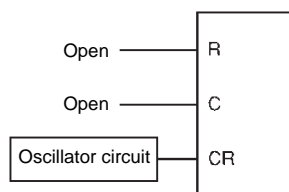
| Parameter | Symbol | Conditions | Ratings | | | Unit |
|-----------------------|------------------|---|---------|-----|-----|------|
| | | | min | typ | max | |
| Input leakage current | I _{IN} | V _{IN} = 0 to V _{DD} , $\overline{\text{CS}}$, E, RS, R/W, $\overline{\text{RES}}$ | -5 | | 5 | μA |
| Current drain | I _{CC1} | RC oscillator, f _{OSC} = 600 kHz | | 2 | 4 | mA |
| | I _{CC2} | External clock, f _{CP} = 2.5 MHz | | 3 | 5 | mA |
| Pull-up current | I _{PL} | V _{IN} = GND, DB0 to DB7, RD0 to RD7, MD0 to MD7 | | 10 | 20 | μA |

(Note 1)



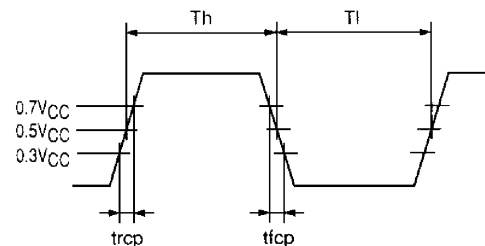
A10921

(Note 2)



A10922

(Note 3)



A10923

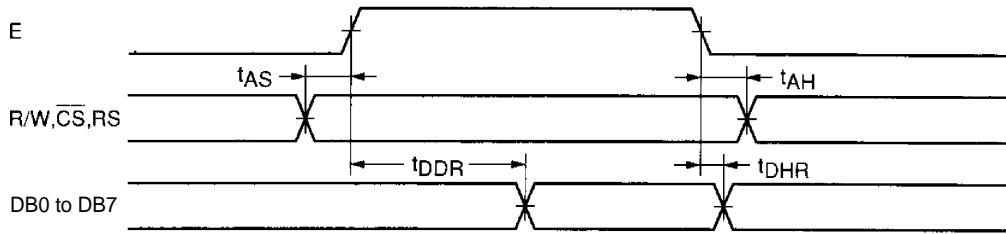
Cf = 15 pF ±5%
 Rf = 39 kΩ ±2%
 (When f_{OSC} = 600 kHz (typical))

$$\text{Duty} = \frac{T_h}{T_h + T_l} \times 100\%$$

Timing Characteristics

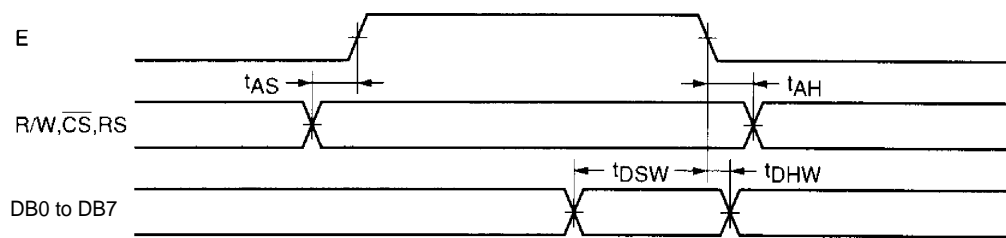
- Bus read/write operation 1

Read cycle



A10924

Write cycle

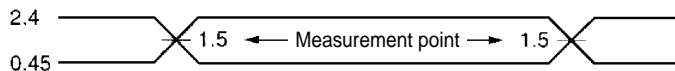


A10925

Ta = -20 to +75°C, V_{DD} = 5V ±5%, GND = 0 V

| Parameter | Symbol | Conditions | Ratings | | | Unit |
|-------------------------|------------------|------------------------|---------|-----|-----|------|
| | | | min | typ | max | |
| Address setup time | t _{AS} | | 90 | | | ns |
| Address hold time | t _{AH} | | 10 | | | ns |
| Data delay time (read) | t _{DDR} | C _L = 50 pF | | | 140 | ns |
| Data hold time (read) | t _{DHR} | | 10 | | | ns |
| Data setup time (write) | t _{DSW} | | 220 | | | ns |
| Data hold time (write) | t _{DHW} | | 20 | | | ns |

Note: Test waveform definition

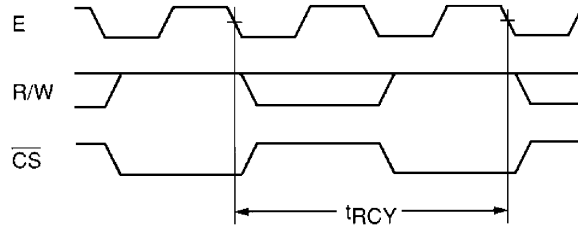


A10926

Input pins are driven to 2.4 V and 0.45 V, and the timing is measured at 1.5 V

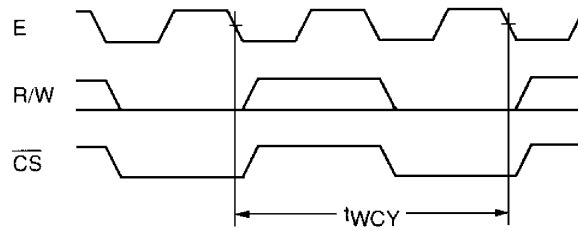
LC7982A

- Bus read/write operation 2
Data read cycle



A10927

- Data write cycle



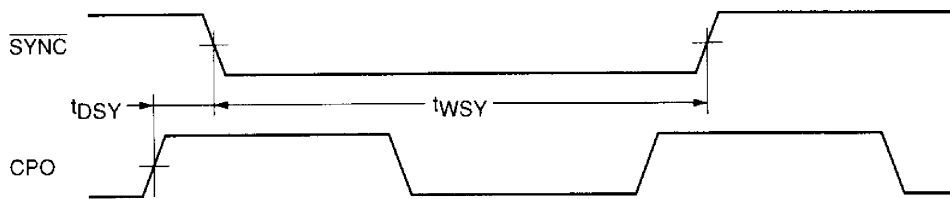
A10928

T_a = -20 to +75°C, V_{DD} = 5V ±5%, GND = 0 V

| Parameter | Symbol | Instruction register value | Ratings | | | Unit |
|------------------|-------------------|--|---------|-----|---|------|
| | | | min | typ | max | |
| Read cycle time | t _{RCY} | 0DH | | | $\frac{(HP+2) \times 10^3}{f_{osc}} + 200$ | ns |
| Write cycle time | t _{WCY1} | 0EH, 0FH | | | $\frac{(2HP+2) \times 10^3}{f_{osc}} + 200$ | ns |
| Write cycle time | t _{WCY2} | 0CH | | | $\frac{(HP+2) \times 10^3}{f_{osc}} + 200$ | ns |
| Write cycle time | t _{WCY3} | 00H, 01H, 02H, 03H, 04H, 08H, 09H, 0AH, 0BH | | | $\frac{2000}{f_{osc}} + 200$ | ns |

- Notes:
- For character display, HP is the number of dots in the horizontal direction per character, and for graphics mode, HP is the number of bits shown on the display from each byte of display data.
 - f_{OSC} is the oscillator frequency, in units of MHz.
 - All measurements are made at 1.5 V.

- Parallel operation (master mode)



A10929

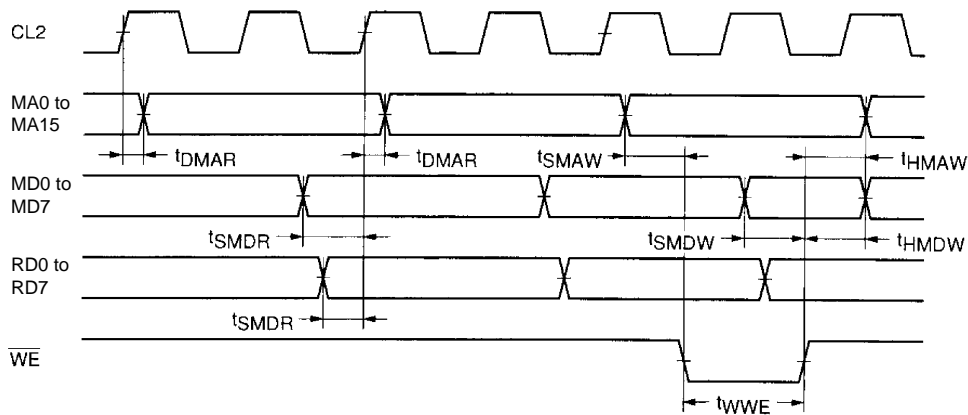
T_a = -20 to +75°C, V_{DD} = 5V ±5%, GND = 0 V

| Parameter | Symbol | Conditions | Ratings | | | Unit |
|------------------|------------------|------------|---------|-----|-----|------|
| | | | min | typ | max | |
| SYNC delay time | t _{DSY} | | | | 100 | ns |
| SYNC pulse width | t _{WSY} | | 350 | | | ns |

- Notes:
- With no loads on any of the output pins.
 - Measurements are made at 0.5 V_{DD}.

LC7982A

• External RAM and ROM interface



A10930

Read Cycle at $T_a = -20$ to $+75^\circ\text{C}$, $V_{DD} = 5\text{ V} \pm 5\%$, $GND = 0\text{ V}$

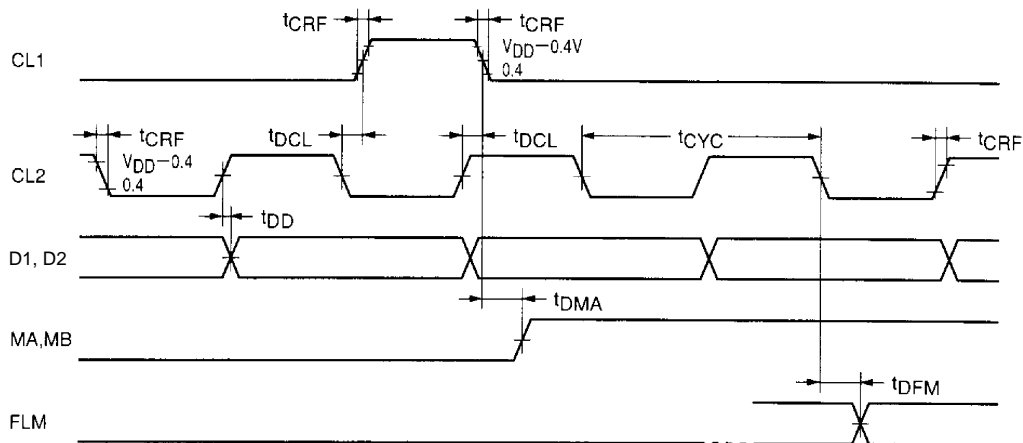
| Parameter | Symbol | Conditions | Ratings | | | Unit |
|-------------------------------------|------------|------------|---------|-----|-----|------|
| | | | min | typ | max | |
| MA0 to MA15 read address delay time | t_{DMAR} | | | | 95 | ns |
| MD0 to MD7, RD0 to RD7 setup time | t_{SMDR} | | 105 | | | ns |

Write Cycle at $T_a = -20$ to $+75^\circ\text{C}$, $V_{DD} = 5\text{ V} \pm 5\%$, $GND = 0\text{ V}$

| Parameter | Symbol | Conditions | Ratings | | | Unit |
|---------------------------|------------|------------|---------|-----|-----|------|
| | | | min | typ | max | |
| Memory address setup time | t_{SMAW} | | 50 | | | ns |
| WE pulse width | t_{WWE} | | 350 | | | ns |
| Memory data setup time | t_{SMDW} | | 250 | | | ns |
| Memory address hold time | t_{HMAW} | | 50 | | | ns |
| Memory data hold time | t_{HMDW} | | 50 | | | ns |

- Notes:
- With no loads on any of the output pins.
 - All measurements are made at 1.5 V.

• Driver IC interface



A10931

$T_a = -20$ to $+75^\circ\text{C}$, $V_{DD} = 5\text{ V} \pm 5\%$, $GND = 0\text{ V}$

| Parameter | Symbol | Conditions | Ratings | | | Unit |
|----------------------------|-----------|------------|---------|-----|-----|------|
| | | | min | typ | max | |
| Clock cycle time | t_{CYC} | | 400 | | | ns |
| Clock phase difference | t_{DCL} | | | | 100 | ns |
| Clock rise and fall times | t_{CRF} | | | | 30 | ns |
| D1 and D2 phase difference | t_{DD} | | | | 100 | ns |
| MA and MB phase difference | t_{DMA} | | | | 200 | ns |
| FLM phase difference | t_{DFM} | | | | 200 | ns |

- Notes:
- With no loads on any of the output pins.
 - Measurements other than those with a specified measurement point are made at $0.5 V_{DD}$.

Block Functions

Registers

The LC7982A has five internal registers: the instruction register, the data input register, the data output register, the dot register, and the mode control register.

- The instruction register holds the instruction code, which includes the start address and the cursor address. This register is a 4-bit register, and the lower 4 bits (DB0 to DB3) of the data bus are written to this register.
- The data input register is used to temporarily hold data for external RAM, the dot register, the mode control register, and other registers. It is an 8-bit register.
- The data output register is used to temporarily hold data read output from external RAM, and is an 8-bit register. The cursor address passes through the data input register and is written to the cursor address counter, and when a memory readout instruction is loaded into the instruction register, IC internal operations read from external RAM and load it into the data output register. Data transfer to the microcontroller completes when the microcontroller reads the data output register at the next instruction.
- The dot register holds the character pitch, the number of dots in the vertical direction, and other display data. Data from the microcontroller passes through the data input register and is written to this register.
- The mode control register holds display state information for the LCD, such as display on/off state and the cursor on/off/blinking state. It is a 6-bit register. Data from the microcontroller passes through the data input register and is written to this register.

Busy Flag

This flag is set to 1 when the LC7982A is performing internal operations. In this state, the next instruction cannot be accepted. The state of the busy flag is output from DB7 when RS is 1 and R/W is 1. The microcontroller application software must first verify that the busy flag is 0 before writing the next instruction. However, after a data read instruction or a data write instruction, the microcontroller may execute the next instruction without checking the busy flag after the maximum value of the read cycle or write cycle elapses, respectively.

Dot Counter

The dot counter generates LCD display timing according to the contents of the dot register.

Refresh Address Counter

The refresh address counters control the addresses of the external RAM, the character generator ROM, and expansion ROM. There are two refresh address counters, refresh address counter (1) and refresh address counter (2). Refresh address counter (1) is used for the upper screen, and refresh address counter (2) is used for the lower screen. In graphics mode, these registers output 16-bit data that is used as the external RAM address signals. In character mode, the upper 4 bits are ignored and the 4 bits of the line address counter are output in place of those four bits. These 4 bits are used as the expansion ROM address.

Character Generator ROM

The character generator ROM holds the data for 192 characters, a total of 7360 bits. It takes a character code from external RAM and a line code from the line address counter as its address signals, and outputs 5 bits of dot data. Although this ROM holds a font with 192 characters, of which 160 are 5×7 dot characters and 32 are 5×11 dot characters, up to 256 8×16 dot characters can be supported by using expansion ROM.

Cursor Address Counter

Instructions can be used to set up this 16-bit counter in advance. This counter holds the address when reading or writing external RAM (either display dot data or character codes). The cursor address counter is automatically incremented after reading or writing display data or after executing a bit set or bit clear instruction.

Cursor Signal Generator

A cursor can be displayed in character mode under instruction control. A cursor is automatically generated when the cursor address counter and the line address counter reach the stipulated values.

Parallel to Serial Converter

Parallel data from external RAM, the character generator, or expansion RAM is converted to series data by the two parallel to series converter circuits and output at the same time to the LCD drive circuits for the upper and lower screens as series data.

LC7982A

Pin Functions

| Pin No. | Pin | Function |
|--------------------|-------------------|--|
| 21 to 28 | DB0 to DB7 | Data bus. These are 3-state shared I/O pins and are used for data transfers to and from the microcontroller. |
| 15 | \overline{CS} | Chip select: The IC is set to the selected state when $\overline{CS} = 0$. |
| 17 | R/W | Read/write: R/W = 1Microcontroller ← LC7982A R/W = 0Microcontroller → LC7982A |
| 18 | RS | Register select: RS = 1Instruction register RS = 0Data register |
| 16 | E | Enable: Data writes are performed when E falls from high to low. Data can be read when E = 1. |
| 6, 7, 8 | CR, R, C | RC oscillator connections |
| 14 | \overline{RES} | Reset: When this pin is set 0, the display is turned off and slave mode and HP = 6 are selected. |
| 1 to 4 49 to 60 | MA0 to MA15 | Display RAM address outputs In character display mode, MA12 to MA15 are output as the external CG raster address. |
| 30 to 37 | MD0 to MD7 | Display data bus: Three-state shared input and output signals |
| 38 to 45 | RD0 to RD7 | ROM data inputs: Dot data from an external character generator is input using these pins. |
| 13 | \overline{WE} | Write enable: The RAM write signal |
| 46 | CL2 | Display data shift clock |
| 11 | CL1 | Display data latch signal |
| 10 | FLM | Frame signal |
| 19 | MA | LCD drive signal: Alternation signalMethod A |
| 5 | MB | LCD drive signal: Alternation signalMethod B |
| 47, 48 | D1, D2 | Display data serial output: D1Upper screen D2Lower screen |
| 9 | CPO | Slave mode clock |
| 12 | \overline{SYNC} | Parallel operation synchronizing signal: Three-state shared input and output signal. Master mode: Outputs a synchronizing signal. Slave mode: Inputs a synchronizing signal. |

Display Control Instructions

The display is controlled by writing data to the instruction register and the 13 data registers. The instruction register and the data registers are differentiated using the RS signal. First, with RS set to 1 the application writes 8-bit data to the instruction register and specifies the code for the data register. Then, with RS set to 0, the application writes 8-bit data to the data register, and the specified instruction is executed. Note that another instruction cannot be written while the previous instruction is executing. Since the busy flag is set during this period, applications must verify that the busy flag is 0 before writing an instruction. However, after a data read instruction or a data write instruction, the microcontroller may execute the next instruction without checking the busy flag after the maximum value of the read cycle or write cycle elapses, respectively

- Mode control

Applications specify the mode control register by writing 00H to the instruction register.
(The form "00H" is used to express values in hexadecimal.)

| Register | R/W | RS | DB7 | DB6 | DB5 | DB4 | DB3 | DB2 | DB1 | DB0 |
|-----------------------|-----|----|-----|-----|-----------|-----|-----|-----|-----|-----|
| Instruction register | 0 | 1 | 0 | 0 | 0 | 0 | 0 | 0 | 0 | 0 |
| Mode control register | 0 | 0 | 0 | 0 | Mode data | | | | | |

| DB5 | DB4 | DB3 | DB2 | DB1 | DB0 | Cursor/blinking | CG | Graphics/character display |
|---------------|--------------|----------|--------|----------------------------|-------------------------------|-------------------------------|---------------|----------------------------|
| 1/0 | 1/0 | 0 | 0 | 0 | 0 | Cursor off | Internal CG | Character display mode |
| | | 0 | 1 | | | Cursor on | | |
| | | 1 | 0 | | | Cursor off/character blinking | | |
| | | 1 | 1 | | | Cursor blinking | | |
| | | 0 | 0 | | | Cursor off | | |
| | | 0 | 1 | | Cursor on | External CG | | |
| | | 1 | 0 | | Cursor off/character blinking | | | |
| | | 1 | 1 | | Cursor blinking | | | |
| | | 0 | 0 | | Cursor off | | | |
| | | 0 | 1 | | Cursor on | | | |
| 0 | 0 | 1 | 0 | Cursor/blinking | | CG | Graphics mode | |
| Display on/of | Master/slave | Blinking | Cursor | Mode | Internal/external CG | | | |

- 1: Master mode
0: Slave mode
- 1: Display on
0: Display off

- Character pitch setting

| Register | R/W | RS | DB7 | DB6 | DB5 | DB4 | DB3 | DB2 | DB1 | DB0 |
|--------------------------|-----|----|-----------------|-----|-----|-----|-----|-----------------|-----|-----|
| Instruction register | 0 | 1 | 0 | 0 | 0 | 0 | 0 | 0 | 0 | 1 |
| Character pitch register | 0 | 0 | (VP - 1) binary | | | | 0 | (HP - 1) binary | | |

VP indicates the number of dots in the vertical direction per character. Applications should determine this value based on the desired vertical separation between characters. This setting is only meaningful in character display mode, and is ignored in graphics mode.

In character display mode, HP indicates the number of dots in the horizontal direction per character, and also includes the gap between the current character and the character displayed to the right. In graphics mode, HP indicates the number of bits displayed from each byte of display data from RAM.

HP can be set to one of three values.

| Hp | DB2 | DB1 | DB0 | Setting |
|----|-----|-----|-----|--------------------------------------|
| 6 | 1 | 0 | 1 | Horizontal character pitch of 6 dots |
| 7 | 1 | 1 | 0 | Horizontal character pitch of 7 dots |
| 8 | 1 | 1 | 1 | Horizontal character pitch of 8 dots |

• Character count setting

| Register | R/W | RS | DB7 | DB6 | DB5 | DB4 | DB3 | DB2 | DB1 | DB0 |
|--------------------------|-----|----|-----------------------------|-----|-----|-----|-----|-----|-----|-----|
| Instruction register | 0 | 1 | 0 | 0 | 0 | 0 | 0 | 0 | 1 | 0 |
| Character count register | 0 | 0 | (H _N - 1) binary | | | | | | | |

In character display mode, H_N specifies the number of characters displayed in the horizontal direction. In graphics mode, H_N specifies the number of bytes displayed in the horizontal direction. The total number of dots displayed on the screen in the horizontal direction is given by the following formula.

$$n = HP \times H_N$$

H_N can be set to an even number in the range 2 to 256 (decimal).

• Time division setting (display duty)

| Register | R/W | RS | DB7 | DB6 | DB5 | DB4 | DB3 | DB2 | DB1 | DB0 |
|----------------------|-----|----|-----------------------------|-----|-----|-----|-----|-----|-----|-----|
| Instruction register | 0 | 1 | 0 | 0 | 0 | 0 | 0 | 0 | 1 | 1 |
| Duty register | 0 | 0 | (N _X - 1) binary | | | | | | | |

N_X specifies the time division setting. That is, the display duty is set to 1/N_X.

N_X can be set to a value in the range 1 to 256 (decimal).

• Cursor position setting

| Register | R/W | RS | DB7 | DB6 | DB5 | DB4 | DB3 | DB2 | DB1 | DB0 |
|--------------------------|-----|----|-----|-----|-----|-----|-----------------|-----|-----|-----|
| Instruction register | 0 | 1 | 0 | 0 | 0 | 0 | 0 | 1 | 0 | 0 |
| Cursor position register | 0 | 0 | 0 | 0 | 0 | 0 | (CP - 1) binary | | | |

In character display mode, CP specifies the line where the cursor is displayed. For example, if CP is set to 8 (decimal), the cursor will be displayed under the character for a 5 × 7 font. The length of the cursor in the horizontal direction will be equal to horizontal direction character pitch HP. While CP can be set to any value in the range 1 to 16 (decimal), if it is set to a value less than or equal to the vertical direction character pitch VP (CP ≤ VP), the cursor display will take priority when cursor display is enabled. Note that if CP > VP, the cursor will not be displayed. The length of the cursor in the horizontal direction will be equal to HP.

• Display start position low-order address

| Register | R/W | RS | DB7 | DB6 | DB5 | DB4 | DB3 | DB2 | DB1 | DB0 |
|---|-----|----|---------------------------------------|-----|-----|-----|-----|-----|-----|-----|
| Instruction register | 0 | 1 | 0 | 0 | 0 | 0 | 1 | 0 | 0 | 0 |
| Display start address register (Low-order byte) | 0 | 0 | (Start address low-order byte) binary | | | | | | | |

• Display start position high-order address

| Register | R/W | RS | DB7 | DB6 | DB5 | DB4 | DB3 | DB2 | DB1 | DB0 |
|--|-----|----|--|-----|-----|-----|-----|-----|-----|-----|
| Instruction register | 0 | 1 | 0 | 0 | 0 | 0 | 1 | 0 | 0 | 1 |
| Display start address register (High-order byte) | 0 | 0 | (Start address high-order byte) binary | | | | | | | |

These instructions together write the display start address value into the display start address register. The display start address specifies the RAM address where the data to be displayed at the upper left of the screen is stored.

The start address is a 16-bit value formed from high-order and low-order bytes.

• Cursor address (low order) setting (RAM read/write low-order address)

| Register | R/W | RS | DB7 | DB6 | DB5 | DB4 | DB3 | DB2 | DB1 | DB0 |
|---|-----|----|--|-----|-----|-----|-----|-----|-----|-----|
| Instruction register | 0 | 1 | 0 | 0 | 0 | 0 | 1 | 0 | 1 | 0 |
| Cursor address counter (Low-order byte) | 0 | 0 | (Cursor address low-order byte) binary | | | | | | | |

LC7982A

- Cursor address (high order) setting (RAM read/write high-order address)

| Register | R/W | RS | DB7 | DB6 | DB5 | DB4 | DB3 | DB2 | DB1 | DB0 |
|--|-----|----|---|-----|-----|-----|-----|-----|-----|-----|
| Instruction register | 0 | 1 | 0 | 0 | 0 | 0 | 1 | 0 | 1 | 1 |
| Cursor address counter (High-order byte) | 0 | 0 | (Cursor address high-order byte) binary | | | | | | | |

These instructions together write the cursor address value into the cursor address register. The cursor address indicates the address used for referring to RAM for the display data or character code. That is, the data at the address specified by the cursor address will be read or written. In character display mode, the cursor is displayed at the position specified by the cursor address.

While the cursor address is a 16-bit value formed from high-order and low-order bytes, applications must only use cursor addresses that obey the following restrictions.

| | | |
|---|---|---|
| 1 | When the application rewrites (sets) both the low-order and high-order bytes. | The application must first set the low-order byte and then set the high-order byte. |
| 2 | When the application only needs to rewrite the low-order byte | After writing the low-order byte, the application must also write the high-order byte. |
| 3 | When the application only needs to rewrite the high-order byte | The application should simply write the high-order byte. There is no need for it to write the low-order byte. |

The cursor address counter is a 16-bit increment-only counter with set and reset functions. When the n th bit changes from 1 to 0, bit $n+1$ is incremented. When the low-order byte is set, if the set caused the MSB in the low-order byte to change from 1 to 0, the LSB in the high-order byte will be incremented. Therefore, applications must set both the low-order and the high-order bytes in that order when setting the cursor address.

- Display data write

| Register | R/W | RS | DB7 | DB6 | DB5 | DB4 | DB3 | DB2 | DB1 | DB0 |
|----------------------|-----|----|--|-----|-----|-----|-----|-----|-----|-----|
| Instruction register | 0 | 1 | 0 | 0 | 0 | 0 | 1 | 1 | 0 | 0 |
| RAM | 0 | 0 | MSB (Pattern data or character code) LSB | | | | | | | |

When 8 bits of data are written by writing the instruction code 0CH to the instruction register when RS is 0, that data will be written as either display data or a character code to the RAM address specified by the cursor address counter. The value of the cursor address counter is incremented by 1 after the write.

- Display data read

| Register | R/W | RS | DB7 | DB6 | DB5 | DB4 | DB3 | DB2 | DB1 | DB0 |
|----------------------|-----|----|--|-----|-----|-----|-----|-----|-----|-----|
| Instruction register | 0 | 1 | 0 | 0 | 0 | 0 | 1 | 1 | 0 | 1 |
| RAM | 1 | 0 | MSB (Pattern data or character code) LSB | | | | | | | |

Applications can read out data in RAM after the LC7982A has been set to the readout state by writing the instruction code 0DH to the instruction register when RS is 0. The data readout procedure is described below.

When this instruction is executed, the contents of the data output register will be output from the pins DB0 to DB7. After that, the RAM data specified by the cursor address will be transferred to the data output register. Additionally, the cursor address will be incremented by 1. As a result, the correct data will not be read out on the first readout after the cursor address is set, but the specified data will be read out on the second read. Accordingly, applications that read data out after setting the cursor address must perform a single dummy read operation.

- Bit clear

| Register | R/W | RS | DB7 | DB6 | DB5 | DB4 | DB3 | DB2 | DB1 | DB0 |
|----------------------|-----|----|-----|-----|-----|-----|-----|--------------------|-----|-----|
| Instruction register | 0 | 1 | 0 | 0 | 0 | 0 | 1 | 1 | 1 | 0 |
| Bit clear | 0 | 0 | 0 | 0 | 0 | 0 | 0 | $(N_B - 1)$ binary | | |

- Bit set

| Register | R/W | RS | DB7 | DB6 | DB5 | DB4 | DB3 | DB2 | DB1 | DB0 |
|----------------------|-----|----|-----|-----|-----|-----|-----|--------------------|-----|-----|
| Instruction register | 0 | 1 | 0 | 0 | 0 | 0 | 1 | 1 | 1 | 1 |
| Bit set | 0 | 0 | 0 | 0 | 0 | 0 | 0 | $(N_B - 1)$ binary | | |

The bit clear and bit set instructions set a specified bit in a byte in display data RAM to 0 or 1, respectively. The bit clear instruction clears the bit specified by N_B to 0, and the bit set instruction sets the bit to 1. The RAM address is determined by the cursor address, and the cursor address is automatically incremented by 1 after the instruction is executed. N_B must be a value in the range 1 to 8. A value of 1 specifies the LSB and a value of 8 specifies the MSB.

LC7982A

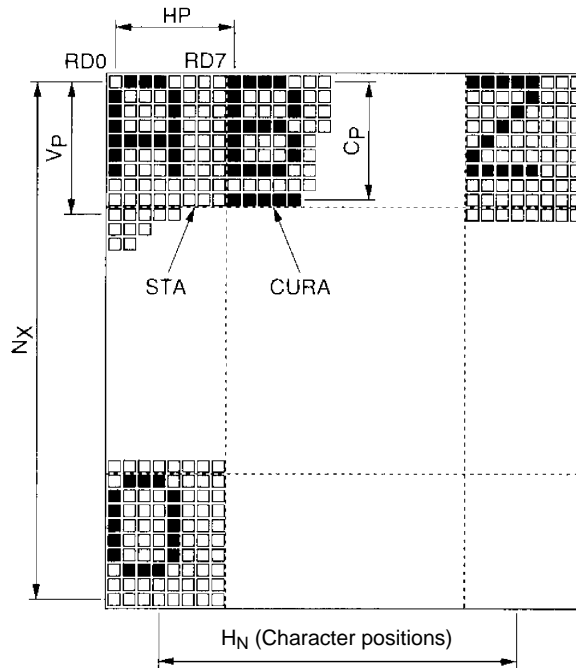
• Busy flag readout

| Register | R/W | RS | DB7 | DB6 | DB5 | DB4 | DB3 | DB2 | DB1 | DB0 |
|-----------|-----|----|-----|-----|-----|-----|-----|-----|-----|-----|
| Busy flag | 1 | 1 | 1/0 | * | | | | | | |

When the LC7982A is set to readout mode when RS is 1, the state of the busy flag will be output from DB7. The busy flag will be 1 during the execution of any of the above thirteen instructions, and will be 0 when instruction execution has completed and the LC7982A can accept the next instruction. When the busy flag is 1, the LC7982A cannot accept instructions. Therefore, applications must check the busy flag and verify that it is 0 before executing an instruction or writing data to the LC7982A. However, after a data read instruction or a data write instruction, the microcontroller may execute the next instruction without checking the busy flag after the maximum value of the read cycle or write cycle, respectively. The busy flag is not changed by writes to the instruction register when RS is 1. Therefore, it is not necessary to check the busy flag immediately after writing the instruction register.

It is not necessary to issue any instruction register commands to read out the busy flag.

Relationship between HP, H_N, VP, CP, and N_X and the LCD Panel



A10934

| Symbol | Function | Description | Value |
|----------------|----------------------------|--|--------------------------------------|
| HP | Horizontal character pitch | Character pitch in the horizontal direction | 6 to 8 dots |
| H _N | Horizontal characters | Number of characters per line in the horizontal direction or number of words per line (in graphics mode) | An even number in the range 2 to 256 |
| VP | Vertical character pitch | Character pitch in the vertical direction | 1 to 16 dots |
| CP | Cursor position | Number of the line where the cursor will be displayed | 1 to 16 lines |
| N _X | Vertical lines | Display duty | 1 to 256 lines |

Note: If m is the number of dots in the vertical direction on the screen, and n is the number of dots in the horizontal direction, then the following relationships will be held:

$$1/m = 1/N_X = \text{Display duty}$$

$$n = HP \times H_N$$

$$m/VP = \text{Number of lines displayed}$$

$$CP \leq VP$$

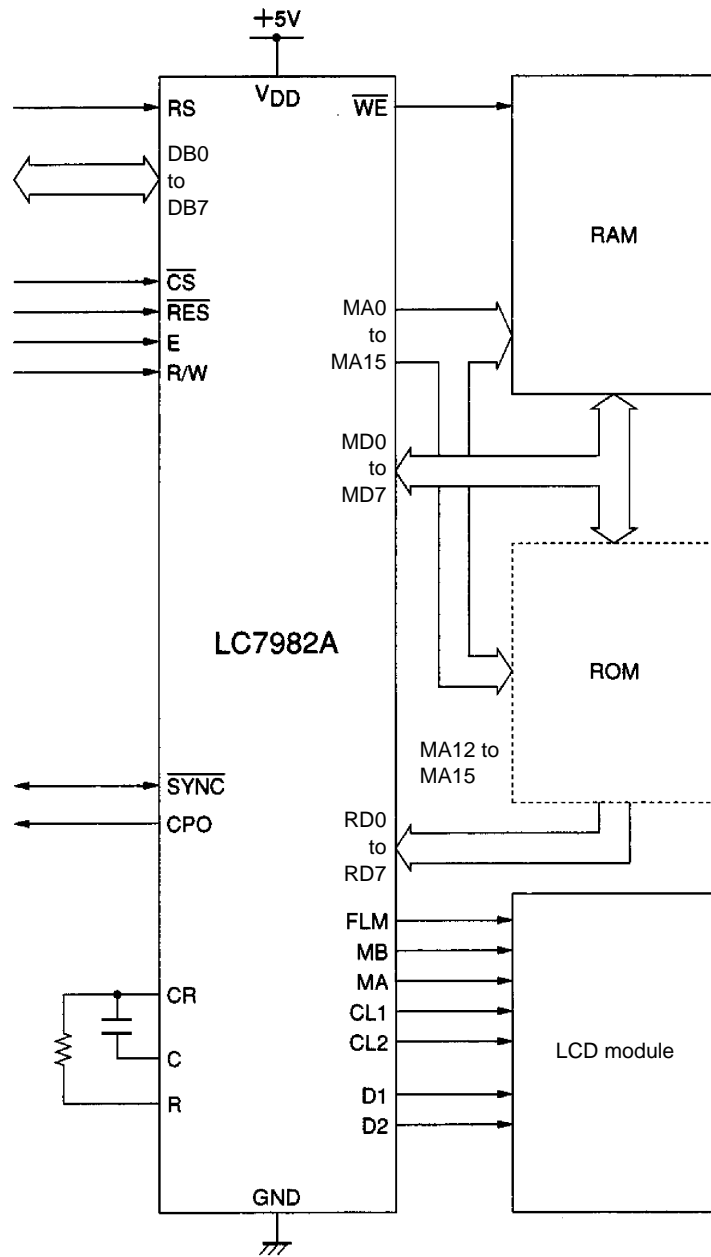
LC7982A

Display Modes

| Display mode | Display data from the microcontroller | RAM | LCD panel | | | | | | | | | | | | | | | | | | | | | | | | |
|----------------|---------------------------------------|---|-----------|----|----|----|----|----|----|----|---|---|---|---|---|---|---|---|---|---|---|---|---|---|---|---|---|
| Character mode | Display patterns (8 bits) | <p>RAM bit grid:</p> <table border="1" style="margin-left: auto; margin-right: auto;"> <tr><td>b7</td><td>b6</td><td>b5</td><td>b4</td><td>b3</td><td>b2</td><td>b1</td><td>b0</td></tr> <tr><td>0</td><td>1</td><td>0</td><td>0</td><td>0</td><td>0</td><td>0</td><td>1</td></tr> <tr><td>0</td><td>1</td><td>0</td><td>0</td><td>0</td><td>0</td><td>1</td><td>0</td></tr> </table> | b7 | b6 | b5 | b4 | b3 | b2 | b1 | b0 | 0 | 1 | 0 | 0 | 0 | 0 | 0 | 1 | 0 | 1 | 0 | 0 | 0 | 0 | 1 | 0 | <p>HP: 6, 7, or 8 dots</p> <p style="text-align: right;">A10935</p> |
| b7 | b6 | b5 | b4 | b3 | b2 | b1 | b0 | | | | | | | | | | | | | | | | | | | | |
| 0 | 1 | 0 | 0 | 0 | 0 | 0 | 1 | | | | | | | | | | | | | | | | | | | | |
| 0 | 1 | 0 | 0 | 0 | 0 | 1 | 0 | | | | | | | | | | | | | | | | | | | | |
| Graphics mode | Character codes (8 bits) | <p>RAM bit grid:</p> <table border="1" style="margin-left: auto; margin-right: auto;"> <tr><td>b7</td><td>b6</td><td>b5</td><td>b4</td><td>b3</td><td>b2</td><td>b1</td><td>b0</td></tr> <tr><td>0</td><td>1</td><td>0</td><td>1</td><td>0</td><td>1</td><td>0</td><td>1</td></tr> <tr><td>1</td><td>1</td><td>1</td><td>1</td><td>1</td><td>1</td><td>1</td><td>1</td></tr> </table> | b7 | b6 | b5 | b4 | b3 | b2 | b1 | b0 | 0 | 1 | 0 | 1 | 0 | 1 | 0 | 1 | 1 | 1 | 1 | 1 | 1 | 1 | 1 | 1 | <p>HP: 8 dots</p> <p style="text-align: right;">A10936</p> |
| b7 | b6 | b5 | b4 | b3 | b2 | b1 | b0 | | | | | | | | | | | | | | | | | | | | |
| 0 | 1 | 0 | 1 | 0 | 1 | 0 | 1 | | | | | | | | | | | | | | | | | | | | |
| 1 | 1 | 1 | 1 | 1 | 1 | 1 | 1 | | | | | | | | | | | | | | | | | | | | |

LC7982A

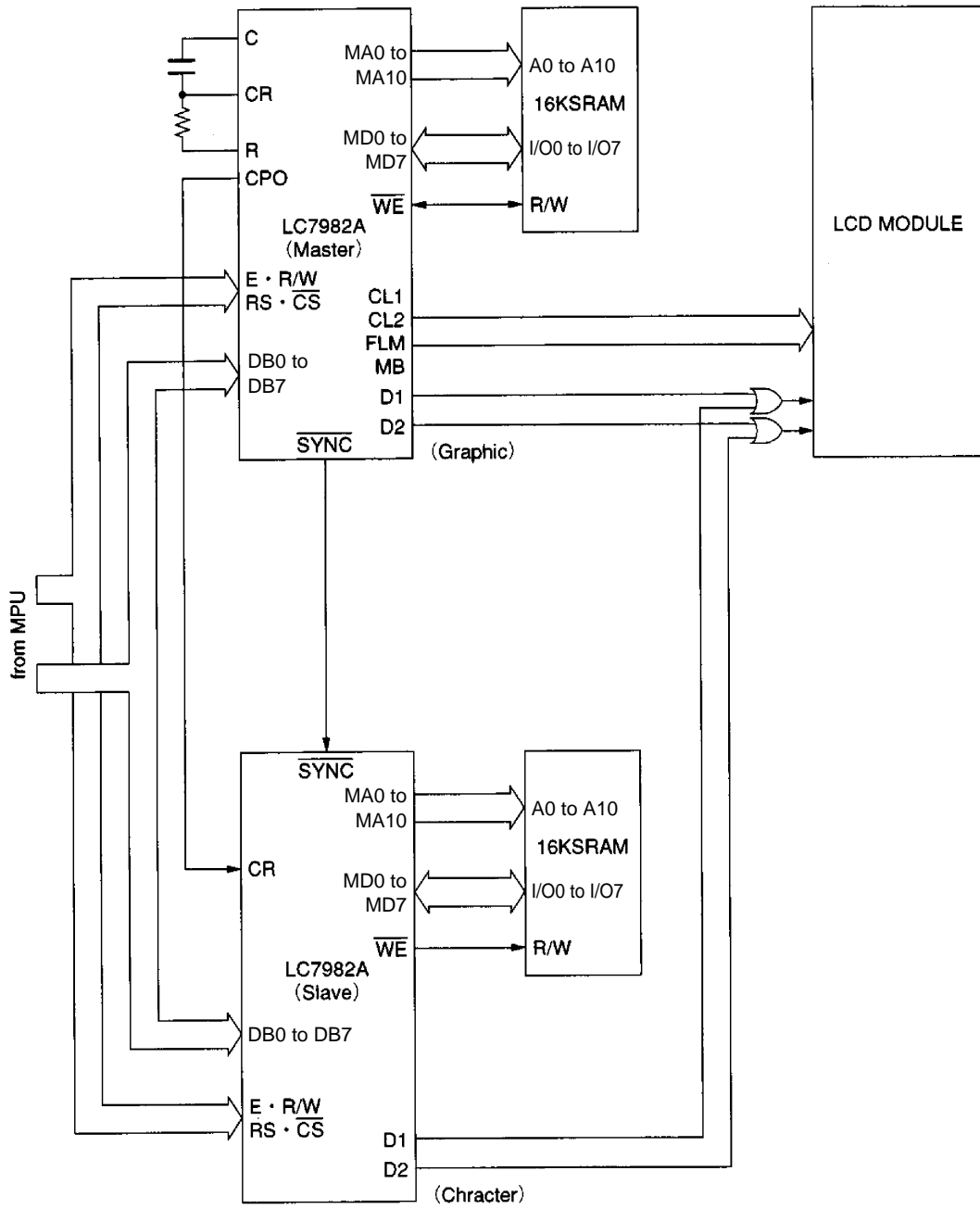
Sample Application Circuit 1



A10937

LC7982A

Sample Application Using Combined Graphic and Character Display

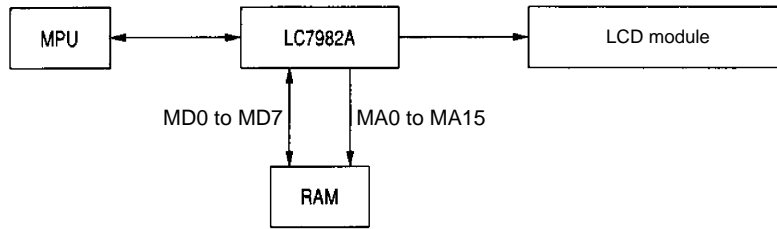


A10938

LC7982A

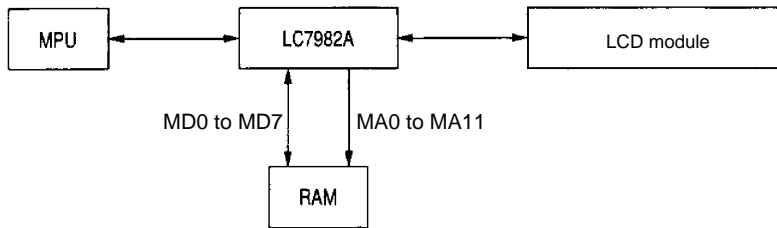
Sample Structures

- Graphics mode



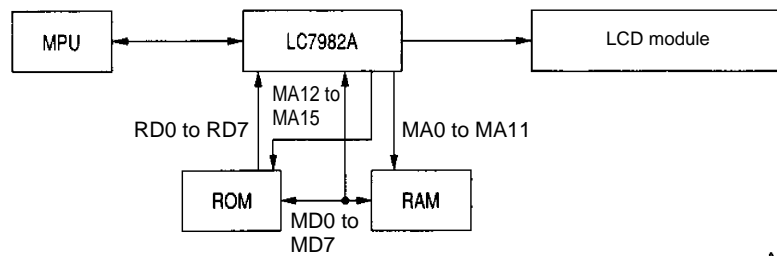
A10939

- Character display mode (1) (On-chip character generator)



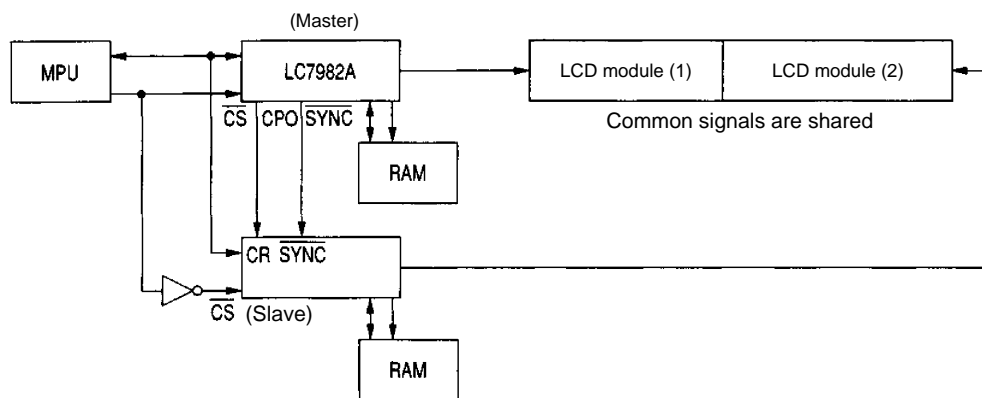
A10940

- Character display mode (2) (External character generator)



A10941

- Parallel operation



A10942

LC7982A

- LC7982A Built-in Character Generator (Only the characters enclosed in the heavy broken line differ from the LC7981.)

| Upper 4 bits Lower 4 bits | 0010 | 0011 | 0100 | 0101 | 0110 | 0111 | 1010 | 1011 | 1100 | 1101 | 1110 | 1111 |
|------------------------------|------|------|------|------|------|------|------|------|------|------|------|------|
| xxxx0000 | | | | | | | | | | | | |
| xxxx0001 | | | | | | | | | | | | |
| xxxx0010 | | | | | | | | | | | | |
| xxxx0011 | | | | | | | | | | | | |
| xxxx0100 | | | | | | | | | | | | |
| xxxx0101 | | | | | | | | | | | | |
| xxxx0110 | | | | | | | | | | | | |
| xxxx0111 | | | | | | | | | | | | |
| xxxx1000 | | | | | | | | | | | | |
| xxxx1001 | | | | | | | | | | | | |
| xxxx1010 | | | | | | | | | | | | |
| xxxx1011 | | | | | | | | | | | | |
| xxxx1100 | | | | | | | | | | | | |
| xxxx1101 | | | | | | | | | | | | |
| xxxx1110 | | | | | | | | | | | | |
| xxxx1111 | | | | | | | | | | | | |

- Specifications of any and all SANYO products described or contained herein stipulate the performance, characteristics, and functions of the described products in the independent state, and are not guarantees of the performance, characteristics, and functions of the described products as mounted in the customer's products or equipment. To verify symptoms and states that cannot be evaluated in an independent device, the customer should always evaluate and test devices mounted in the customer's products or equipment.
- SANYO Electric Co., Ltd. strives to supply high-quality high-reliability products. However, any and all semiconductor products fail with some probability. It is possible that these probabilistic failures could give rise to accidents or events that could endanger human lives, that could give rise to smoke or fire, or that could cause damage to other property. When designing equipment, adopt safety measures so that these kinds of accidents or events cannot occur. Such measures include but are not limited to protective circuits and error prevention circuits for safe design, redundant design, and structural design.
- In the event that any or all SANYO products (including technical data, services) described or contained herein are controlled under any of applicable local export control laws and regulations, such products must not be exported without obtaining the export license from the authorities concerned in accordance with the above law.
- No part of this publication may be reproduced or transmitted in any form or by any means, electronic or mechanical, including photocopying and recording, or any information storage or retrieval system, or otherwise, without the prior written permission of SANYO Electric Co., Ltd.
- Any and all information described or contained herein are subject to change without notice due to product/technology improvement, etc. When designing equipment, refer to the "Delivery Specification" for the SANYO product that you intend to use.
- Information (including circuit diagrams and circuit parameters) herein is for example only; it is not guaranteed for volume production. SANYO believes information herein is accurate and reliable, but no guarantees are made or implied regarding its use or any infringements of intellectual property rights or other rights of third parties.

This catalog provides information as of October, 1998. Specifications and information herein are subject to change without notice.