



KS8995M

Integrated 5-Port 10/100 Managed Switch

Rev 1.12

General Description

The KS8995M is a highly integrated Layer-2 managed switch with optimized BOM (Bill of Materials) cost for low port count, cost-sensitive 10/100Mbps switch systems. It also provides an extensive feature set such as tag/port-based VLAN, QoS (Quality of Service) priority, management, MIB counters, dual MII interfaces and CPU control/data interfaces to effectively address both current and emerging Fast Ethernet applications.

The KS8995M contains five 10/100 transceivers with patented mixed-signal low-power technology, five MAC (Media Access Control) units, a high-speed non-blocking switch fabric, a dedicated address look-up engine, and an on-chip frame buffer memory.

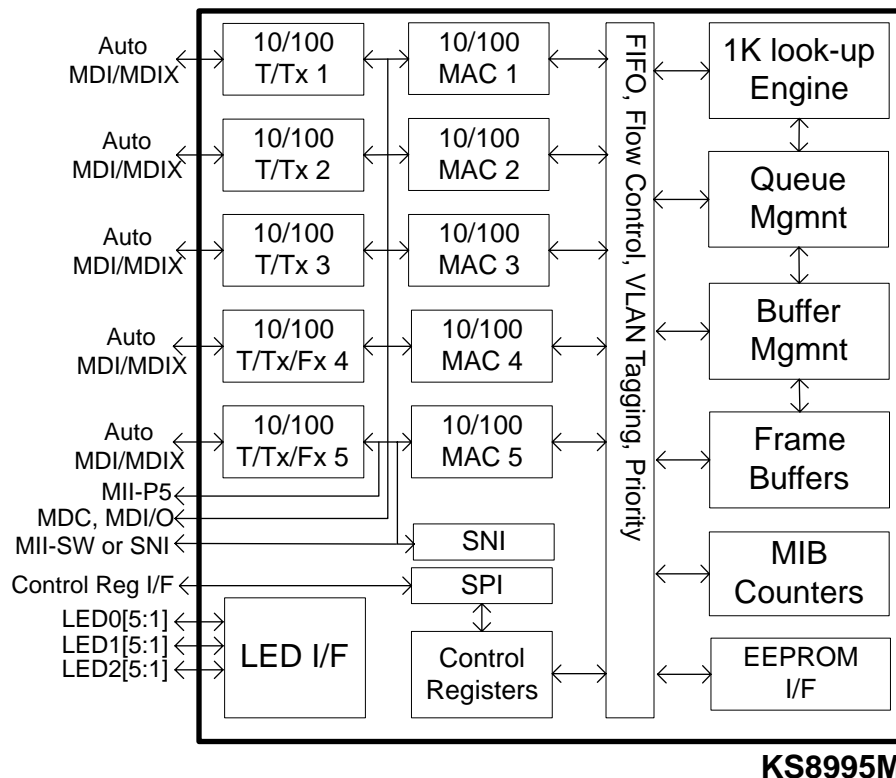
All PHY units support 10BaseT and 100BaseTX. In addition, two of the PHY units support 100BaseFX (Ports 4 and 5).

All support documentation can be found on Micrel's web site at www.micrel.com.

Features

- Integrated switch with five MACs and five Fast Ethernet transceivers fully compliant to IEEE 802.3u standard
- Shared memory based switch fabric with fully non-blocking configuration
- 1.4Gbps high-performance memory bandwidth
- 10BaseT, 100BaseTX and 100BaseFX modes (FX in Ports 4 and 5)
- Dual MII configuration: MII-Switch (MAC or PHY mode MII) and MII-P5 (PHY mode MII)
- IEEE 802.1q tag-based VLAN (16 VLANs, full-range VID) for DMZ port, WAN/LAN separation or inter-VLAN switch links
- VLAN ID tag/untag options, per-port basis
- Programmable rate limiting 0Mbps to 100Mbps, ingress and egress port, rate options for high and low priority, per-port-basis
- Flow control or drop packet rate limiting (ingress port)
- Integrated MIB counters for fully compliant statistics gathering, 34 MIB counters per port

Functional Diagram



Features (continued)

- Enable/Disable option for huge frame size up to 1916 bytes per frame
- IGMP v1/v2 snooping for multicast packet filtering
- Special tagging mode to send CPU info on ingress packet's port value
- SPI slave (complete) and MDIO (MII PHY only) serial management interface for control of register configuration
- MAC-id based security lock option
- Control registers configurable on-the-fly (port-priority, 802.1p/d/q, AN...)
- CPU read access to MAC forwarding table entries
- 802.1d Spanning Tree Protocol
- Port mirroring/monitoring/sniffing: ingress and/or egress traffic to any port or MII
- Broadcast storm protection with percent control – global and per-port basis
- Optimization for fiber-to-copper media conversion
- Full-chip hardware power-down support (register configuration not saved)
- Per-port based software power-save on PHY (idle link detection, register configuration preserved)
- QoS/CoS packets prioritization supports: per port, 802.1p and DiffServ based
- 802.1p/q tag insertion or removal on a per port basis (egress)
- MDC and MDI/O interface support to access the MII PHY control registers (not all control registers)
- MII local loopback support
- On-chip 64Kbyte memory for frame buffering (not shared with 1K unicast address table)
- Wire-speed reception and transmission
- Integrated look-up engine with dedicated 1K MAC addresses
- Full duplex IEEE 802.3x and half-duplex back pressure flow control
- Comprehensive LED support
- 7-wire SNI support for legacy MAC interface
- Automatic MDI/MDI-X crossover for plug-and-play
- Disable Automatic MDI/MDI-X option
- Low power:
 - Core: 1.8V
 - I/O: 2.5V or 3.3V
- 0.18 μ m CMOS technology
- Commercial temperature range: 0°C to +70°C
- Industrial temperature range: –40°C to +85°C
- Available in 128-pin PQFP package

Applications

- Broadband gateway/firewall/VPN
- Integrated DSL or cable modem multi-port router
- Wireless LAN access point plus gateway
- Home networking expansion
- Standalone 10/100 switch
- Hotel/campus/MxU gateway
- Enterprise VoIP gateway/phone
- FTTx customer premise equipment
- Managed media converter

Ordering Information

Part Number	Temperature Range	Package
KS8995M	0°C to +70°C	128-Pin PQFP
KSZ8995M	0°C to +70°C	128-Pin PQFP Lead Free
KS8995MI	–40°C to +85°C	128-Pin PQFP

Revision History

Revision	Date	Summary of Changes
1.00	11/05/01	Created
1.01	11/09/01	Pinout Mux1/2, DVCC-IO 2.5/3.3V, feature list, register spec 11-09
1.02	12/03/01	Editorial changes, added new register and MIB descriptions. Added paragraph describing TOS registers. Imported functional descriptions. Formatting.
1.03	12/12/01	Incorporate changes per engineering feedback as well as updating functional descriptions and adding new timing information.
1.04	12/13/01	Changed Rev. and For. Modes to PHY and MAC modes respectively. Added MIIM clarification in "MII Management Interface" section. Reformatted section sequence. Added hex register addresses. Added advertisement ability descriptions.
1.05	12/18/01	Inserted switch forwarding flow charts.
1.06	12/20/01	Added new KS8995M block diagram, editorial changes, register descriptions changes and cross-references from functional descriptions to register and strap in options.
1.07	1/22/01	Changed FXSD pins to inputs, added new descriptions to "Configuration Interfaces" section. Edited pin descriptions.
1.08	3/1/02	Editorial changes in "Dynamic MAC Address table and "MIB Counters." Updated figure 2 flowchart. Updated table 2 for MAC mode connections. Separate static MAC bit assignments for read and write. Edited read and write examples to MAC tables and MIB counters. Changed Table 3 KS8995M signals to "S" suffix. Changed aging description in Register 2, bit 0. Changed "Port Registers" section and listed all port register addresses. Changed port control 11 description for bits [7:5]. Changed MIB counter descriptions.
1.09	5/17/02	Changed MII setting in "Pin Descriptions." Changed pu/pd descriptions for SMRXD2. "Register 18," changed pu/pd description for forced flow control. "Illegal Frames." Edited large packet sizes back in. "Electrical Characteristics," Added in typical supply current numbers for 100 BaseTX and 10 BaseTX operation. "Register 18," Added in note for illegal half-duplex, force flow control. "Pin Description," Added extra X1 clock input description. "Electrical Characteristics," Updated to chip only current numbers. Added SPI Timing. Feature Highlights.
1.10	7/29/02	"Pin Description," changed SMRXC and SMTXC to I/O. Input in MAC mode, output in PHY mode MII. "Electrical Characteristics," modified current consumption to chip only numbers. "Half-Duplex Back Pressure," added description for no dropped packets in half-duplex mode. Added recommended operating conditions. Added Idle mode current consumption in "Electrical Characteristics," added "Selection of Isolation Transformers," Added 3.01kΩ resistor instructions for ISET "Pin Description" section. Changed Polarity of transmit pairs in "Pin Description." Changed description for Register 2, bit 1, in "Register Description" section. Added "Reset Timing" section.
1.11	12/17/02	"Register 3" changed 802.1x to 802.3x. "Register 6," changed default column to disable flow control for pull-down, and enable flow control for pull-up. "Register 29" and "Register 0" indicate loop back is at the PHY. Added description to register 4 bit 2 to indicate that STPID packets from CPU to normal ports are not allowed as 1522 byte tag packets. Fixed dynamic MAC address example errors in "Dynamic MAC Address Table." Changed definition of forced MDI, MDIX in section "Register 29," "Register 30" and "Register 0." Added "Part Ordering Information." Added Ambient operating temperature for KS8995MI
1.12	3/10/03	Changed pin 120 description to NC. Changed SPIQ pin description to Otri. Changed logo. Changed contact information.

Table of Contents

System Level Applications	7
Pin Description (by Number)	9
Pin Description (by Name)	15
Pin Configuration	21
Introduction	22
Functional Overview: Physical Layer Transceiver	22
100BaseTX Transmit	22
100BaseTX Receive	22
PLL Clock Synthesizer	22
Scrambler/De-scrambler (100BaseTX only)	22
100BaseFX Operation	22
100BaseFX Signal Detection	22
100BaseFX Far End Fault	23
10BaseT Transmit	23
10BaseT Receive	23
Power Management	23
MDI/MDI-X Auto Crossover	23
Auto-Negotiation	23
Functional Overview: Switch Core	24
Address Look-Up	24
Learning	24
Migration	24
Aging	24
Forwarding	24
Switching Engine	24
MAC Operation	24
Inter-Packet Gap (IPG)	24
Backoff Algorithm	24
Late Collision	26
Illegal Frames	26
Flow Control	26
Half-Duplex Back Pressure	26
Broadcast Storm Protection	26
MII Interface Operation	26
SNI Interface Operation	28
Advanced Functionality	28
Spanning Tree Support	28
Special Tagging Mode	29
IGMP Support	30
Port Mirroring Support	31
VLAN Support	31
Rate Limit Support	32
Configuration Interface	33
I2C Master Serial Bus Configuration	35
SPI Slave Serial Bus Configuration	35
MII Management Interface (MIIM)	38

Register Description	39
Global Registers	39
Register 0 (0x00): Chip ID0	39
Register 1 (0x01): Chip ID1/Start Switch	39
Register 2 (0x02): Global Control 0	40
Register 3 (0x03): Global Control 1	40
Register 4 (0x04): Global Control 2	41
Register 5 (0x05): Global Control 3	42
Register 6 (0x06): Global Control 4	42
Register 7 (0x07): Global Control 5	43
Register 8 (0x08): Global Control 6	43
Register 9 (0x09): Global Control 7	43
Register 10 (0x0A): Global Control 8	43
Register 11 (0x0B): Global Control 9	43
Port Registers	44
Register 16 (0x10): Port 1 Control 0	44
Register 17 (0x11): Port 1 Control 1	44
Register 18 (0x12): Port 1 Control 2	45
Register 19 (0x13): Port 1 Control 3	46
Register 20 (0x14): Port 1 Control 4	46
Register 21 (0x15): Port 1 Control 5	46
Register 22 (0x16): Port 1 Control 6	46
Register 23 (0x17): Port 1 Control 7	46
Register 24 (0x18): Port 1 Control 8	47
Register 25 (0x19): Port 1 Control 9	47
Register 26 (0x1A): Port 1 Control 10	47
Register 27 (0x1B): Port 1 Control 11	47
Register 28 (0x1C): Port 1 Control 12	48
Register 29 (0x1D): Port 1 Control 13	49
Register 30 (0x1E): Port 1 Status 0	49
Register 31 (0x1F): Port 1 Status 1	50
Advanced Control Registers	50
Register 96 (0x60): TOS Priority Control Register 0	50
Register 97 (0x61): TOS Priority Control Register 1	50
Register 98 (0x62): TOS Priority Control Register 2	50
Register 99 (0x63): TOS Priority Control Register 3	50
Register 100 (0x64): TOS Priority Control Register 4	50
Register 101 (0x65): TOS Priority Control Register 5	50
Register 102 (0x66): TOS Priority Control Register 6	50
Register 103 (0x67): TOS Priority Control Register 7	50
Register 104 (0x68): MAC Address Register 0	50
Register 105 (0x69): MAC Address Register 1	50
Register 106 (0x6A): MAC Address Register 2	50
Register 107 (0x6B): MAC Address Register 3	50
Register 108 (0x6C): MAC Address Register 4	50
Register 109 (0x6D): MAC Address Register 5	50
Register 110 (0x6E): Indirect Access Control 0	51
Register 111 (0x6F): Indirect Access Control 1	51

Register 112 (0x70): Indirect Data Register 8	51
Register 113 (0x71): Indirect Data Register 7	51
Register 114 (0x72): Indirect Data Register 6	51
Register 115 (0x73): Indirect Data Register 5	51
Register 116 (0x74): Indirect Data Register 4	51
Register 117 (0x75): Indirect Data Register 3	51
Register 118 (0x76): Indirect Data Register 2	51
Register 119 (0x77): Indirect Data Register 1	51
Register 120 (0x78): Indirect Data Register 0	51
Register 121 (0x79): Digital Testing Status 0	51
Register 122 (0x7A): Digital Testing Status 1	51
Register 123 (0x7B): Digital Testing Control 0	51
Register 124 (0x7C): Digital Testing Control 1	51
Register 125 (0x7D): Analog Testing Control 0	51
Register 126 (0x7E): Analog Testing Control 1	52
Register 127 (0x7F): Analog Testing Status	52
Static MAC Address	53
VLAN Address	55
Dynamic MAC Address	56
MIB Counters	57
MIIM Registers	60
Register 0: MII Control	60
Register 1: MII Status	61
Register 2: PHYID HIGH	61
Register 3: PHYID LOW	61
Register 4: Advertisement Ability	61
Register 5: Link Partner Ability	62
Absolute Maximum Ratings	63
Operating Ratings	63
Electrical Characteristics	63
Timing Diagrams	65
Selection of Isolation Transformers	72
Qualified Magnetic Lists	72
Package Information	73

System Level Applications

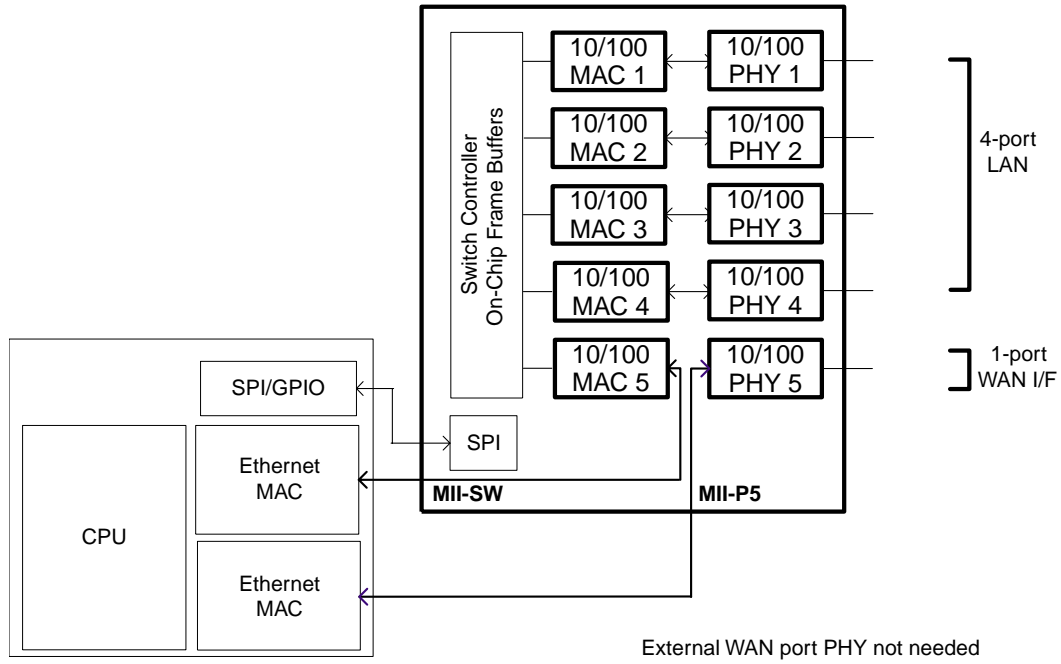


Figure 1. Broadband Gateway

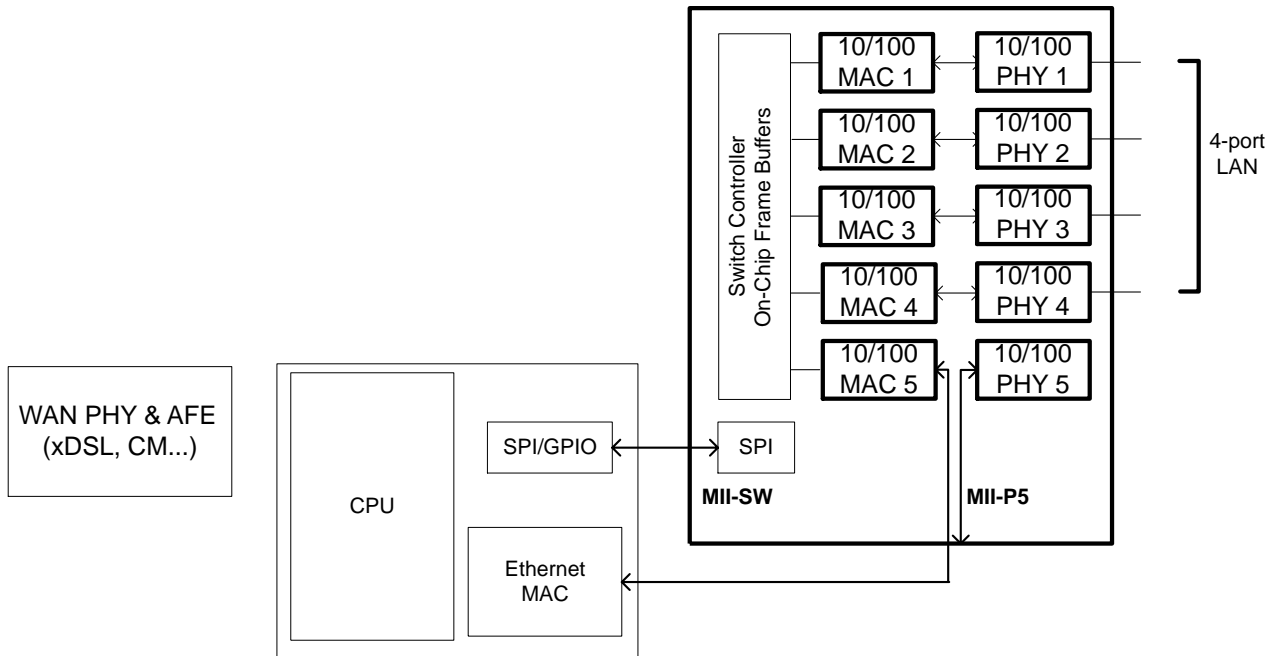


Figure 2. Integrated Broadband Router

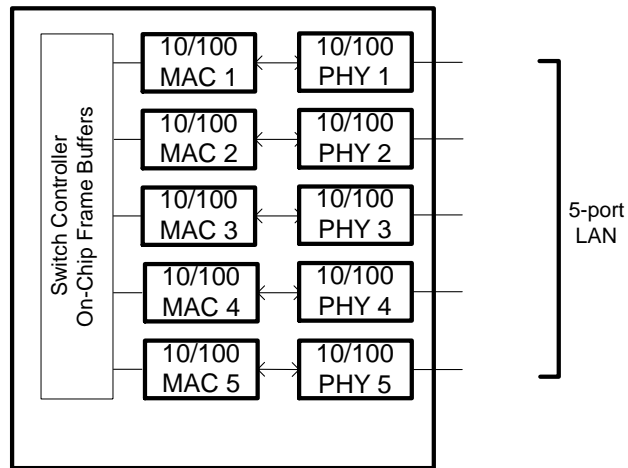


Figure 3. Standalone Switch

Pin Description (by Number)

Pin Number	Pin Name	Type ⁽¹⁾	Port	Pin Function
1	TEST1	NC		NC for normal operation. Factory test pin.
2	GNDA	Gnd		Analog ground
3	VDDAR	P		1.8V analog V _{DD}
4	RXP1	I	1	Physical receive signal + (differential)
5	RXM1	I	1	Physical receive signal - (differential)
6	GNDA	Gnd		Analog ground
7	TXM1	O	1	Physical transmit signal - (differential)
8	TXP1	O	1	Physical transmit signal + (differential)
9	VDDAT	P		2.5V analog V _{DD}
10	RXP2	I	2	Physical receive signal + (differential)
11	RXM2	I	2	Physical receive signal - (differential)
12	GNDA	Gnd		Analog ground
13	TXM2	O	2	Physical transmit signal - (differential)
14	TXP2	O	2	Physical transmit signal + (differential)
15	VDDAR	P		1.8V analog V _{DD}
16	GNDA	Gnd		Analog ground
17	ISET			Set physical transmit output current. Pull-down with a 3.01kΩ 1% resistor.
18	VDDAT	P		2.5V analog V _{DD}
19	RXP3	I	3	Physical receive signal + (differential)
20	RXM3	I	3	Physical receive signal - (differential)
21	GNDA	Gnd		Analog ground
22	TXM3	O	3	Physical transmit signal - (differential)
23	TXP3	O	3	Physical transmit signal + (differential)
24	VDDAT	P		2.5V analog V _{DD}
25	RXP4	I	4	Physical receive signal + (differential)
26	RXM4	I	4	Physical receive signal - (differential)
27	GNDA	Gnd		Analog ground
28	TXM4	O	4	Physical transmit signal - (differential)
29	TXP4	O	4	Physical transmit signal + (differential)
30	GNDA	Gnd		Analog ground
31	VDDAR	P		1.8V analog V _{DD}

Note:

- P = Power supply
I = Input
O = Output
I/O = Bi-directional
Gnd = Ground
Ipu = Input w/ internal pull-up
Ipd = Input w/ internal pull-down
Ipd/O = Input w/ internal pull-down during reset, output pin otherwise
Ipu/O = Input w/ internal pull-up during reset, output pin otherwise
PU = Strap pin pull-up
PD = Strap pin pull-down
Otri = Output tristated
NC = No Connect

Pin Number	Pin Name	Type ⁽¹⁾	Port	Pin Function																
32	RXP5	I	5	Physical receive signal + (differential)																
33	RXM5	I	5	Physical receive signal - (differential)																
34	GNDA	Gnd		Analog ground																
35	TXM5	O	5	Physical transmit signal - (differential)																
36	TXP5	O	5	Physical transmit signal + (differential)																
37	VDDAT	P		2.5V analog V _{DD}																
38	FXSD5	I	5	Fiber signal detect/factory test pin																
39	FXSD4	I	4	Fiber signal detect/factory test pin																
40	GNDA	Gnd		Analog ground																
41	VDDAR	P		1.8V analog V _{DD}																
42	GNDA	Gnd		Analog ground																
43	VDDAR	P		1.8V analog V _{DD}																
44	GNDA	Gnd		Analog ground																
45	MUX1	NC		MUX1 and MUX2 should be left unconnected for normal operation. They are factory test pins.																
46	MUX2	NC			<table border="1"> <thead> <tr> <th>Mode</th> <th>Mux1</th> <th>Mux2</th> </tr> </thead> <tbody> <tr> <td>Normal Operation</td> <td>NC</td> <td>NC</td> </tr> <tr> <td>Remote Analog Loopback Mode for Testing only</td> <td>0</td> <td>1</td> </tr> <tr> <td>Reserved</td> <td>1</td> <td>0</td> </tr> <tr> <td>Power Save Mode for Testing only</td> <td>1</td> <td>1</td> </tr> </tbody> </table>	Mode	Mux1	Mux2	Normal Operation	NC	NC	Remote Analog Loopback Mode for Testing only	0	1	Reserved	1	0	Power Save Mode for Testing only	1	1
Mode	Mux1	Mux2																		
Normal Operation	NC	NC																		
Remote Analog Loopback Mode for Testing only	0	1																		
Reserved	1	0																		
Power Save Mode for Testing only	1	1																		
47	PWRDN_N	lpu		Full-chip power down. Active low.																
48	RESERVE	NC		Reserved pin. No connect.																
49	GNDD	Gnd		Digital ground																
50	VDDC	P		1.8V digital core V _{DD}																
51	PMTXEN	lpd	5	PHY[5] MII transmit enable																
52	PMTXD3	lpd	5	PHY[5] MII transmit bit 3																
53	PMTXD2	lpd	5	PHY[5] MII transmit bit 2																
54	PMTXD1	lpd	5	PHY[5] MII transmit bit 1																
55	PMTXD0	lpd	5	PHY[5] MII transmit bit 0																
56	PMTXER	lpd	5	PHY[5] MII transmit error																
57	PMTXC	O	5	PHY[5] MII transmit clock. PHY mode MII.																
58	GNDD	Gnd		Digital ground																

Note:

1. P = Power supply

I = Input

O = Output

I/O = Bi-directional

Gnd = Ground

lpu = Input w/ internal pull-up

lpd = Input w/ internal pull-down

lpd/O = Input w/ internal pull-down during reset, output pin otherwise

lpu/O = Input w/ internal pull-up during reset, output pin otherwise

PU = Strap pin pull-up

PD = Strap pin pull-down

Otri = Output tristated

NC = No Connect

Pin Number	Pin Name	Type ⁽¹⁾	Port	Pin Function
59	VDDIO	P		3.3/2.5V digital V _{DD} for digital I/O circuitry
60	PMRXC	O	5	PHY[5] MII receive clock. PHY mode MII
61	PMRXDV	lpd/O	5	PHY[5] MII receive data valid
62	PMRXD3	lpd/O	5	PHY[5] MII receive bit 3. Strap option: PD (default) = enable flow control; PU = disable flow control.
63	PMRXD2	lpd/O	5	PHY[5] MII receive bit 2. Strap option: PD (default) = disable back pressure; PU = enable back pressure.
64	PMRXD1	lpd/O	5	PHY[5] MII receive bit 1. Strap option: PD (default) = drop excessive collision packets; PU = does not drop excessive collision packets.
65	PMRXD0	lpd/O	5	PHY[5] MII receive bit 0. Strap option: PD (default) = disable aggressive back-off algorithm in half-duplex mode; PU = enable for performance enhancement.
66	PMRXER	lpd/O	5	PHY[5] MII receive error. Strap option: PD (default) = 1522/1518 bytes; PU = packet size up to 1536 bytes.
67	PCRS	lpd/O	5	PHY[5] MII carrier sense/Force duplex mode. See "Register 76" for port 4 only. PD (default) = Force half-duplex if auto-negotiation is disabled or fails. PU = Force full-duplex if auto-negotiation is disabled or fails.
68	PCOL	lpd/O	5	PHY[5] MII collision detect/ Force flow control. See "Register 66" for port 4 only. PD (default) = No force flow control. PU = Force flow control.
69	SMTXEN	lpd		Switch MII transmit enable
70	SMTXD3	lpd		Switch MII transmit bit 3
71	SMTXD2	lpd		Switch MII transmit bit 2
72	SMTXD1	lpd		Switch MII transmit bit 1
73	SMTXD0	lpd		Switch MII transmit bit 0
74	SMTXER	lpd		Switch MII transmit error
75	SMTXC	I/O		Switch MII transmit clock. Input in MAC mode, output in PHY mode MII.
76	GNDD	Gnd		Digital ground
77	VDDIO	P		3.3/2.5V digital V _{DD} for digital I/O circuitry
78	SMRXC	I/O		Switch MII receive clock. Input in MAC mode, output in PHY mode MII.
79	SMRXDV	lpd/O		Switch MII receive data valid
80	SMRXD3	lpd/O		Switch MII receive bit 3. Strap option: PD (default) = Disable Switch MII full-duplex flow control; PU = Enable Switch MII full-duplex flow control.
81	SMRXD2	lpd/O		Switch MII receive bit 2. Strap option: PD (default) = Switch MII in full-duplex mode; PU = Switch MII in half-duplex mode.

Note:

1. P = Power supply

I = Input

O = Output

I/O = Bi-directional

Gnd = Ground

lpu = Input w/ internal pull-up

lpd = Input w/ internal pull-down

lpd/O = Input w/ internal pull-down during reset, output pin otherwise

lpu/O = Input w/ internal pull-up during reset, output pin otherwise

PU = Strap pin pull-up

PD = Strap pin pull-down

Otri = Output tristated

NC = No Connect

Pin Number	Pin Name	Type ⁽¹⁾	Port	Pin Function		
82	SMRXD1	lpd/O		Switch MII receive bit 1. Strap option: PD (default) = Switch MII in 100Mbps mode; PU = Switch MII in 10Mbps mode.		
83	SMRXD0	lpd/O		Switch MII receive bit 0; Strap option: LED Mode PD (default) = Mode 0; PU = Mode 1. See "Register 11."		
					Mode 0	Mode 1
				LEDX_2	Lnk/Act	100Lnk/Act
				LEDX_1	FullD/Col	10Lnk/Act
				LEDX_0	Speed	FullD
84	SCOL	lpd/O		Switch MII collision detect		
85	SCRS	lpd/O		Switch MII carrier sense		
86	SCONF1	lpd		Dual MII configuration pin		
				Pin# (91, 86, 87):	Switch MII	PHY [5] MII
				000	Disable, Otri	Disable, Otri
				001	PHY Mode MII	Disable, Otri
				010	MAC Mode MII	Disable, Otri
				011	PHY Mode SNI	Disable, Otri
				100	Disable	Disable
				101	PHY Mode MII	PHY Mode MII
				110	MAC Mode MII	PHY Mode MII
111	PHY Mode SNI	PHY Mode MII				
87	SCONF0	lpd		Dual MII configuration pin		
88	GNDD	Gnd		Digital ground		
89	VDDC	P		1.8V digital core V _{DD}		
90	LED5-2	lpu/O	5	LED indicator 2. Strap option: Aging setup. See "Aging" section PU (default) = Aging Enable; PD = Aging disable.		
91	LED5-1	lpu/O	5	LED indicator 1. Strap option: PU (default): enable PHY MII I/F PD: tristate all PHY MII output. See "pin# 86 SCONF1."		
92	LED5-0	lpu/O	5	LED indicator 0		
93	LED4-2	lpu/O	4	LED indicator 2		
94	LED4-1	lpu/O	4	LED indicator 1		
95	LED4-0	lpu/O	4	LED indicator 0		
96	LED3-2	lpu/O	3	LED indicator 2		
97	LED3-1	lpu/O	3	LED indicator 1		

Note:

1. P = Power supply

I = Input

O = Output

I/O = Bi-directional

Gnd = Ground

lpu = Input w/ internal pull-up

lpd = Input w/ internal pull-down

lpd/O = Input w/ internal pull-down during reset, output pin otherwise

lpu/O = Input w/ internal pull-up during reset, output pin otherwise

PU = Strap pin pull-up

PD = Strap pin pull-down

Otri = Output tristated

NC = No Connect

Pin Number	Pin Name	Type ⁽¹⁾	Port	Pin Function	
98	LED3-0	Ipu/O	3	LED indicator 0	
99	GNDD	Gnd		Digital ground	
100	VDDIO	P		3.3/2.5V digital V _{DD} for digital I/O	
101	LED2-2	Ipu/O	2	LED indicator 2	
102	LED2-1	Ipu/O	2	LED indicator 1	
103	LED2-0	Ipu/O	2	LED indicator 0	
104	LED1-2	Ipu/O	1	LED indicator 2	
105	LED1-1	Ipu/O	1	LED indicator 1	
106	LED1-0	Ipu/O	1	LED indicator 0	
107	MDC	Ipu	All	Switch or PHY[5] MII management data clock	
108	MDIO	I/O	All	Switch or PHY[5] MII management data I/O. Features internal pull down to define pin state when not driven.	
109	SPIQ	Otri	All	(1) SPI serial data output in SPI slave mode; (2) Not used in I2C master mode. See "pin# 113."	
110	SPIC/SCL	I/O	All	(1) Input clock up to 5MHz in SPI slave mode; (2) Output clock at 81KHz in I2C master mode. See "pin# 113."	
111	SPID/SDA	I/O	All	(1) Serial data input in SPI slave mode; (2) Serial data input/output in I2C master mode See "pin# 113."	
112	SPIS_N	Ipu	All	Active low. (1) SPI data transfer start in SPI slave mode. When SPIS_N is high, the KS8995M is deselected and SPIQ is held in high impedance state, a high-to-low transition to initiate the SPI data transfer; (2) Not used in I2C master mode.	
113	PS1	Ipd		Serial bus configuration pin If EEPROM is not present, the KS8995M will start itself with chip default (00)...	
				Pin Config.	Serial Bus Configuration
				PS[1:0]=00	I2C Master Mode for EEPROM
				PS[1:0]=01	Reserved
				PS[1:0]=10	SPI Slave Mode for CPU Interface
PS[1:0]=11	Factory Test Mode (BIST)				
114	PS0	Ipd		Serial bus configuration pin. See "pin# 113."	
115	RST_N	Ipu		Reset the KS8995M. Active low.	
116	GNDD	Gnd		Digital ground	
117	VDDC	P		1.8V digital core V _{DD}	
118	TESTEN	Ipd		NC for normal operation. Factory test pin.	

Note:

- P = Power supply
 - I = Input
 - O = Output
 - I/O = Bi-directional
 - Gnd = Ground
 - Ipu = Input w/ internal pull-up
 - Ipd = Input w/ internal pull-down
 - Ipd/O = Input w/ internal pull-down during reset, output pin otherwise
 - Ipu/O = Input w/ internal pull-up during reset, output pin otherwise
 - PU = Strap pin pull-up
 - PD = Strap pin pull-down
 - Otri = Output tristated
 - NC = No Connect

Pin Number	Pin Name	Type ⁽¹⁾	Port	Pin Function
119	SCANEN	lpd		NC for normal operation. Factory test pin.
120	NC	NC		No Connect
121	X1	I		25MHz crystal clock connection/or 3.3V tolerant oscillator input. Oscillator should be ± 100 ppm.
122	X2	O		25MHz crystal clock connection
123	VDDAP	P		1.8V analog V_{DD} for PLL
124	GNDA	Gnd		Analog ground
125	VDDAR	P		1.8V analog V_{DD}
126	GNDA	Gnd		Analog ground
127	GNDA	Gnd		Analog ground
128	TEST2	NC		NC for normal operation. Factory test pin.

Note:

1. P = Power supply

I = Input

O = Output

I/O = Bi-directional

Gnd = Ground

Ipu = Input w/ internal pull-up

lpd = Input w/ internal pull-down

lpd/O = Input w/ internal pull-down during reset, output pin otherwise

Ipu/O = Input w/ internal pull-up during reset, output pin otherwise

PU = Strap pin pull-up

PD = Strap pin pull-down

Otri = Output tristated

NC = No Connect

Pin Description (by Name)

Pin Number	Pin Name	Type ⁽¹⁾	Port	Pin Function
39	FXSD4	I	4	Fiber signal detect/factory test pin.
38	FXSD5	I	5	Fiber signal detect/factory test pin.
124	GND A	Gnd		Analog ground
42	GND A	Gnd		Analog ground
44	GND A	Gnd		Analog ground
2	GND A	Gnd		Analog ground
16	GND A	Gnd		Analog ground
30	GND A	Gnd		Analog ground
6	GND A	Gnd		Analog ground
12	GND A	Gnd		Analog ground
21	GND A	Gnd		Analog ground
27	GND A	Gnd		Analog ground
34	GND A	Gnd		Analog ground
40	GND A	Gnd		Analog ground
120	NC	NC		No connect
127	GND A	Gnd		Analog ground
126	GND A	Gnd		Analog ground
49	GND D	Gnd		Digital ground
88	GND D	Gnd		Digital ground
116	GND D	Gnd		Digital ground
58	GND D	Gnd		Digital ground
76	GND D	Gnd		Digital ground
99	GND D	Gnd		Digital ground
17	ISET			Set physical transmit output current. Pull-down with a 3.01kΩ 1% resistor.
106	LED1-0	Ipu/O	1	LED indicator 0
105	LED1-1	Ipu/O	1	LED indicator 1
104	LED1-2	Ipu/O	1	LED indicator 2
103	LED2-0	Ipu/O	2	LED indicator 0
102	LED2-1	Ipu/O	2	LED indicator 1
101	LED2-2	Ipu/O	2	LED indicator 2
98	LED3-0	Ipu/O	3	LED indicator 0

Note:

1. P = Power supply

I = Input

O = Output

I/O = Bi-directional

Gnd = Ground

Ipu = Input w/ internal pull-up

Ipd = Input w/ internal pull-down

Ipd/O = Input w/ internal pull-down during reset, output pin otherwise

Ipu/O = Input w/ internal pull-up during reset, output pin otherwise

PU = Strap pin pull-up

PD = Strap pin pull-down

Otri = Output tristated

NC = No Connect

Pin Number	Pin Name	Type ⁽¹⁾	Port	Pin Function		
97	LED3-1	lpu/O	3	LED indicator 1		
96	LED3-2	lpu/O	3	LED indicator 2		
95	LED4-0	lpu/O	4	LED indicator 0		
94	LED4-1	lpu/O	4	LED indicator 1		
93	LED4-2	lpu/O	4	LED indicator 2		
92	LED5-0	lpu/O	5	LED indicator 0		
91	LED5-1	lpu/O	5	LED indicator 1. Strap option: PU (default): enable PHY MII I/F. PD: tristate all PHY MII output. See "pin# 86 SCONF1."		
90	LED5-2	lpu/O	5	LED indicator 2. Strap option: Aging setup. See "Aging" section. (default) = Aging Enable; PD = Aging disable		
107	MDC	lpu	All	Switch or PHY[5] MII management data clock.		
108	MDIO	I/O	All	Switch or PHY[5] MII management data I/O.		
1	TEST1	NC		NC for normal operation. Factory test pin.		
45	MUX1	NC		MUX1 and MUX2 should be left unconnected for normal operation. They are factory test pins.		
46	MUX2	NC				
			Mode		Mux1	Mux2
			Normal Operation		NC	NC
			Remote Analog Loopback Mode for Testing only		0	1
			Reserved	1	0	
			Power Save Mode for Testing only	1	1	
68	PCOL	lpd/O	5	PHY[5] MII collision detect/Force flow control. See "Register 18." For port 4 only. PD (default) = No force flow control. PU = Force flow control.		
67	PCRS	lpd/O	5	PHY[5] MII carrier sense/Force duplex mode See "Register 28." For port 4 only. PD (default) = Force half-duplex if auto-negotiation is disabled or fails. PU = Force full-duplex if auto-negotiation is disabled or fails.		
60	PMRXC	O	5	PHY[5] MII receive clock. PHY mode MII.		
65	PMRXD0	lpd/O	5	PHY[5] MII receive bit 0. Strap option: PD (default) = disable aggressive back-off algorithm in half-duplex mode; PU = enable for performance enhancement.		
64	PMRXD1	lpd/O	5	PHY[5] MII receive bit 1. Strap option: PD (default) = drop excessive collision packets; PU = does not drop excessive collision packets.		
63	PMRXD2	lpd/O	5	PHY[5] MII receive bit 2. Strap option: PD (default) = disable back pressure; PU = enable back pressure.		
62	PMRXD3	lpd/O	5	PHY[5] MII receive bit 3. Strap option: PD (default) = enable flow control; PU = disable flow control.		

Note:

- P = Power supply
I = Input
O = Output
I/O = Bi-directional
Gnd = Ground
lpu = Input w/ internal pull-up
lpd = Input w/ internal pull-down
lpd/O = Input w/ internal pull-down during reset, output pin otherwise
lpu/O = Input w/ internal pull-up during reset, output pin otherwise
PU = Strap pin pull-up
PD = Strap pin pull-down
Otri = Output tristated
NC = No Connect

Pin Number	Pin Name	Type ⁽¹⁾	Port	Pin Function	
61	PMRXDV	lpd/O	5	PHY[5] MII receive data valid.	
66	PMRXER	lpd/O	5	PHY[5] MII receive error. Strap option: PD (default) = 1522/1518 bytes; PU = packet size up to 1536 bytes.	
57	PMTXC	O	5	PHY[5] MII transmit clock. PHY mode MII	
55	PMTXD0	lpd	5	PHY[5] MII transmit bit 0	
54	PMTXD1	lpd	5	PHY[5] MII transmit bit 1	
53	PMTXD2	lpd	5	PHY[5] MII transmit bit 2	
52	PMTXD3	lpd	5	PHY[5] MII transmit bit 3	
51	PMTXEN	lpd	5	PHY[5] MII transmit enable	
56	PMTXER	lpd	5	PHY[5] MII transmit error	
114	PS0	lpd		Serial bus configuration pin. See "pin# 113."	
113	PS1	lpd		Serial bus configuration pin If EEPROM is not present, the KS8995M will start itself with chip default (00)...	
				Pin Config.	Serial Bus Configuration
				PS[1:0]=00	I2C Master Mode for EEPROM
				PS[1:0]=01	Reserved
				PS[1:0]=10	SPI Slave Mode for CPU Interface
PS[1:0]=11	Factory Test Mode (BIST)				
47	PWRDN_N	lpu		Full-chip power down. Active low.	
48	RESERVE	NC		Reserved pin. No connect.	
115	RST_N	lpu		Reset the KS8995M. Active low.	
5	RXM1	I	1	Physical receive signal - (differential)	
11	RXM2	I	2	Physical receive signal - (differential)	
20	RXM3	I	3	Physical receive signal - (differential)	
26	RXM4	I	4	Physical receive signal - (differential)	
33	RXM5	I	5	Physical receive signal - (differential)	
4	RXP1	I	1	Physical receive signal + (differential)	
10	RXP2	I	2	Physical receive signal + (differential)	
19	RXP3	I	3	Physical receive signal + (differential)	
25	RXP4	I	4	Physical receive signal + (differential)	
32	RXP5	I	5	Physical receive signal + (differential)	
119	SCANEN	lpd		NC for normal operation. Factory test pin.	
84	SCOL	lpd/O		Switch MII collision detect.	

Note:

- P = Power supply
 - I = Input
 - O = Output
 - I/O = Bi-directional
 - Gnd = Ground
 - lpu = Input w/ internal pull-up
 - lpd = Input w/ internal pull-down
 - lpd/O = Input w/ internal pull-down during reset, output pin otherwise
 - lpu/O = Input w/ internal pull-up during reset, output pin otherwise
 - PU = Strap pin pull-up
 - PD = Strap pin pull-down
 - Otri = Output tristated
 - NC = No Connect

Pin Number	Pin Name	Type ⁽¹⁾	Port	Pin Function		
87	SCONF0	lpd		Dual MII configuration pin		
86	SCONF1	lpd		Dual MII configuration pin		
				Pin# (91, 86, 87):	Switch MII	PHY [5] MII
				000	Disable, Otri	Disable, Otri
				001	PHY Mode MII	Disable, Otri
				010	MAC Mode MII	Disable, Otri
				011	PHY Mode SNI	Disable, Otri
				100	Disable	Disable
				101	PHY Mode MII	PHY Mode MII
				110	MAC Mode MII	PHY Mode MII
111	PHY Mode SNI	PHY Mode MII				
85	SCRS	lpd/O		Switch MII carrier sense		
78	SMRXC	I/O		Switch MII receive clock. Input in MAC mode, output in PHY mode MII.		
83	SMRXD0	lpd/O		Switch MII receive bit 0; Strap option: LED Mode PD (default) = Mode 0; PU = Mode 1. See "Register 11."		
					Mode 0	Mode 1
				LEDX_2	Lnk/Act	100Lnk/Act
				LEDX_1	FullD/Col	10Lnk/Act
	LEDX_0	Speed	FullD			
82	SMRXD1	lpd/O		Switch MII receive bit 1. Strap option: PD (default) = Switch MII in 100Mbps mode; PU = Switch MII in 10Mbps mode.		
81	SMRXD2	lpd/O		Switch MII receive bit 2. Strap option: PD (default) = Switch MII in full-duplex mode; PU = Switch MII in half-duplex mode.		
80	SMRXD3	lpd/O		Switch MII receive bit 3. Strap option: PD (default) = Disable Switch MII full-duplex flow control; PU = Enable Switch MII full-duplex flow control.		
79	SMRXdV	lpd/O		Switch MII receive data valid		
75	SMTXC	I/O		Switch MII transmit clock. Input in MAC mode, output in PHY mode MII.		
73	SMTXD0	lpd		Switch MII transmit bit 0		
72	SMTXD1	lpd		Switch MII transmit bit 1		
71	SMTXD2	lpd		Switch MII transmit bit 2		
70	SMTXD3	lpd		Switch MII transmit bit 3		
69	SMTXEN	lpd		Switch MII transmit enable		
74	SMTXER	lpd		Switch MII transmit error		

Note:

1. P = Power supply

I = Input

O = Output

I/O = Bi-directional

Gnd = Ground

lpu = Input w/ internal pull-up

lpd = Input w/ internal pull-down

lpd/O = Input w/ internal pull-down during reset, output pin otherwise

lpu/O = Input w/ internal pull-up during reset, output pin otherwise

PU = Strap pin pull-up

PD = Strap pin pull-down

Otri = Output tristated

NC = No Connect

Pin Number	Pin Name	Type ⁽¹⁾	Port	Pin Function
110	SPIC/SCL	I/O	All	(1) Input clock up to 5MHz in SPI slave mode; (2) Output clock at 81KHz in I2C master mode. See "pin# 113."
111	SPID/SDA	I/O	All	(1) Serial data input in SPI slave mode; (2) Serial data input/output in I2C master mode. See "pin# 113."
109	SPIQ	Otri	All	(1) SPI serial data output in SPI slave mode; (2) Not used in I2C master mode. See "pin# 113."
112	SPIS_N	lpu	All	Active low. (1) SPI data transfer start in SPI slave mode. When SPIS_N is high, the KS8995M is deselected and SPIQ is held in high impedance state, a high-to-low transition to initiate the SPI data transfer; (2) Not used in I2C master mode.
128	TEST2	NC		No connect for normal operation. Factory test pin.
118	TESTEN	lpd		No Connect for normal operation. Factory test pin.
8	TXP1	O	1	Physical transmit signal + (differential)
14	TXP2	O	2	Physical transmit signal + (differential)
23	TXP3	O	3	Physical transmit signal + (differential)
29	TXP4	O	4	Physical transmit signal + (differential)
36	TXP5	O	5	Physical transmit signal + (differential)
7	TXM1	O	1	Physical transmit signal - (differential)
13	TXM2	O	2	Physical transmit signal - (differential)
22	TXM3	O	3	Physical transmit signal - (differential)
28	TXM4	O	4	Physical transmit signal - (differential)
35	TXM5	O	5	Physical transmit signal - (differential)
123	VDDAP	P		1.8V analog V_{DD} for PLL
41	VDDAR	P		1.8V analog V_{DD}
43	VDDAR	P		1.8V analog V_{DD}
3	VDDAR	P		1.8V analog V_{DD}
15	VDDAR	P		1.8V analog V_{DD}
31	VDDAR	P		1.8V analog V_{DD}
125	VDDAR	P		1.8V analog V_{DD}
18	VDDAT	P		2.5V analog V_{DD}
9	VDDAT	P		2.5V analog V_{DD}
24	VDDAT	P		2.5V analog V_{DD}
37	VDDAT	P		2.5V analog V_{DD}
50	VDDC	P		1.8V digital core V_{DD}

Note:

- P = Power supply
I = Input
O = Output
I/O = Bi-directional
Gnd = Ground
lpu = Input w/ internal pull-up
lpd = Input w/ internal pull-down
lpd/O = Input w/ internal pull-down during reset, output pin otherwise
lpu/O = Input w/ internal pull-up during reset, output pin otherwise
PU = Strap pin pull-up
PD = Strap pin pull-down
Otri = Output tristated
NC = No Connect

Pin Number	Pin Name	Type ⁽¹⁾	Port	Pin Function
89	VDDC	P		1.8V digital core V _{DD}
117	VDDC	P		1.8V digital core V _{DD}
59	VDDIO	P		3.3/2.5V digital V _{DD} for digital I/O circuitry
77	VDDIO	P		3.3/2.5V digital V _{DD} for digital I/O circuitry
100	VDDIO	P		3.3/2.5V digital V _{DD} for digital I/O circuitry
121	X1	I		25MHz crystal clock connection/or 3.3V tolerant oscillator input. Oscillator should be ± 100 ppm.
122	X2	O		25MHz crystal clock connection.

Note:

1. P = Power supply

I = Input

O = Output

I/O = Bi-directional

Gnd = Ground

Ipu = Input w/ internal pull-up

Ipd = Input w/ internal pull-down

Ipd/O = Input w/ internal pull-down during reset, output pin otherwise

Ipu/O = Input w/ internal pull-up during reset, output pin otherwise

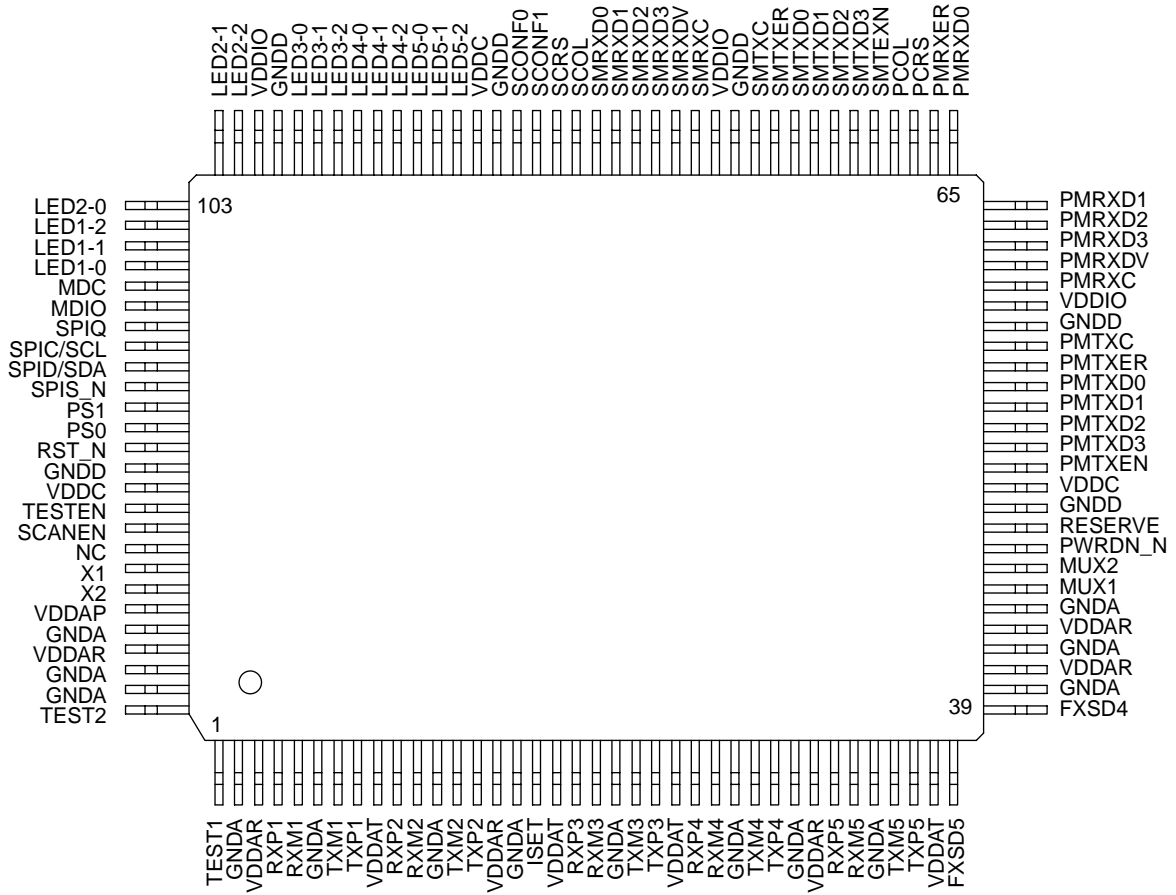
PU = Strap pin pull-up

PD = Strap pin pull-down

Otri = Output tristated

NC = No Connect

Pin Configuration



128-Pin PQFP (PQ)

Introduction

The KS8995M contains five 10/100 physical layer transceivers and five MAC (Media Access Control) units with an integrated layer 2 managed switch. The device runs in three modes. The first mode is as a five-port integrated switch. The second is as a five-port switch with the fifth port decoupled from the physical port. In this mode access to the fifth MAC is provided through an MII (Media Independent Interface). This is useful for implementing an integrated broadband router. The third mode uses the dual MII feature to recover the use of the fifth PHY. This allows the additional broadband gateway configuration, where the fifth PHY may be accessed through the MII-P5 port.

The KS8995M has the flexibility to reside in a managed or unmanaged design. In a managed design, a host processor has complete control of the KS8995M via the SPI bus, or partial control via the MDC/MDIO interface. An unmanaged design is achieved through I/O strapping or EEPROM programming at system reset time.

On the media side, the KS8995M supports IEEE 802.3 10BaseT, 100BaseTX on all ports, and 100BaseFX on ports 4 and 5. The KS8995M can be used as two separate media converters.

Physical signal transmission and reception are enhanced through the use of patented analog circuitry that makes the design more efficient and allows for lower power consumption and smaller chip die size.

The major enhancements from the KS8995E to the KS8995M are support for host processor management, a dual MII interface, tag as well as port based VLAN, spanning tree protocol support, IGMP snooping support, port mirroring support and rate limiting functionality.

Functional Overview: Physical Layer Transceiver

100BaseTX Transmit

The 100BaseTX transmit function performs parallel to serial conversion, 4B/5B coding, scrambling, NRZ-to-NRZI conversion, MLT3 encoding and transmission. The circuit starts with a parallel-to-serial conversion, which converts the MII data from the MAC into a 125MHz serial bit stream. The data and control stream is then converted into 4B/5B coding followed by a scrambler. The serialized data is further converted from NRZ to NRZI format, and then transmitted in MLT3 current output. The output current is set by an external 1% 3.01k Ω resistor for the 1:1 transformer ratio. It has a typical rise/fall time of 4ns and complies with the ANSI TP-PMD standard regarding amplitude balance, overshoot and timing jitter. The wave-shaped 10BaseT output is also incorporated into the 100BaseTX transmitter.

100BaseTX Receive

The 100BaseTX receiver function performs adaptive equalization, DC restoration, MLT3-to-NRZI conversion, data and clock recovery, NRZI-to-NRZ conversion, de-scrambling, 4B/5B decoding and serial-to-parallel conversion. The receiving side starts with the equalization filter to compensate for inter-symbol interference (ISI) over the twisted pair cable. Since the amplitude loss and phase distortion is a function of the length of the cable, the equalizer has to adjust its characteristics to optimize the performance. In this design, the variable equalizer will make an initial estimation based on comparisons of incoming signal strength against some known cable characteristics, it then tunes itself for optimization. This is an ongoing process and can self-adjust against environmental changes such as temperature variations.

The equalized signal then goes through a DC restoration and data conversion block. The DC restoration circuit is used to compensate for the effect of baseline wander and improve the dynamic range. The differential data conversion circuit converts the MLT3 format back to NRZI. The slicing threshold is also adaptive.

The clock recovery circuit extracts the 125MHz clock from the edges of the NRZI signal. This recovered clock is then used to convert the NRZI signal into the NRZ format. The signal is then sent through the de-scrambler followed by the 4B/5B decoder. Finally, the NRZ serial data is converted to the MII format and provided as the input data to the MAC.

PLL Clock Synthesizer

The KS8995M generates 125MHz, 42MHz, 25MHz and 10MHz clocks for system timing. Internal clocks are generated from an external 25MHz crystal or oscillator.

Scrambler/De-scrambler (100BaseTX only)

The purpose of the scrambler is to spread the power spectrum of the signal in order to reduce EMI and baseline wander. The data is scrambled through the use of an 11-bit wide linear feedback shift register (LFSR). This can generate a 2047-bit non-repetitive sequence. The receiver will then de-scramble the incoming data stream with the same sequence at the transmitter.

100BaseFX Operation

100BaseFX operation is very similar to 100BaseTX operation except that the scrambler/de-scrambler and MLT3 encoder/decoder are bypassed on transmission and reception. In this mode the auto-negotiation feature is bypassed since there is no standard that supports fiber auto-negotiation.

100BaseFX Signal Detection

The physical port runs in 100BaseFX mode if FXSDx >0.6V for ports 4 and 5 only. This signal is internally referenced to 1.25V. The fiber module interface should be set by a voltage divider such that FXSDx 'H' is above this 1.25V reference, indicating signal

detect, and FXSDx 'L' is below the 1.25V reference to indicate no signal. When FXSDx is below 0.6V then 100BaseFX mode is disabled. Since there is no auto-negotiation for 100BaseFX mode, ports 4 and 5 must be forced to either full or half-duplex. Note that strap in options exist to set duplex mode for port 4, but not for port 5.

100BaseFX Far End Fault

Far end fault occurs when the signal detection is logically false from the receive fiber module. When this occurs, the transmission side signals the other end of the link by sending 84 1s followed by a zero in the idle period between frames. The far end fault may be disabled through register settings.

10BaseT Transmit

The output 10BaseT driver is incorporated into the 100BaseT driver to allow transmission with the same magnetics. They are internally wave-shaped and pre-emphasized into outputs with a typical 2.3V amplitude. The harmonic contents are at least 27dB below the fundamental when driven by an all-ones Manchester-encoded signal.

10BaseT Receive

On the receive side, input buffer and level detecting squelch circuits are employed. A differential input receiver circuit and a PLL perform the decoding function. The Manchester-encoded data stream is separated into clock signal and NRZ data. A squelch circuit rejects signals with levels less than 400mV or with short pulse widths in order to prevent noises at the RXP or RXM input from falsely triggering the decoder. When the input exceeds the squelch limit, the PLL locks onto the incoming signal and the KS8995M decodes a data frame. The receiver clock is maintained active during idle periods in between data reception.

Power Management

The KS8995M features a per port power down mode. To save power the user can power down ports that are not in use by setting port control registers or MII control registers. In addition, it also supports full chip power down mode. When activated, the entire chip will be shut down.

MDI/MDI-X Auto Crossover

The KS8995M supports MDI/MDI-X auto crossover. This facilitates the use of either a straight connection CAT-5 cable or a crossover CAT-5 cable. The auto-sense function will detect remote transmit and receive pairs, and correctly assign the transmit and receive pairs from the Micrel device. This can be highly useful when end users are unaware of cable types and can also save on an additional uplink configuration connection. The auto crossover feature may be disabled through the port control registers.

Auto-Negotiation

The KS8995M conforms to the auto-negotiation protocol as described by the 802.3 committee. Auto-negotiation allows UTP (Unshielded Twisted Pair) link partners to select the best common mode of operation. In auto-negotiation the link partners advertise capabilities across the link to each other. If auto-negotiation is not supported or the link partner to the KS8995M is forced to bypass auto-negotiation, then the mode is set by observing the signal at the receiver. This is known as parallel mode because while the transmitter is sending auto-negotiation advertisements, the receiver is listening for advertisements or a fixed signal protocol.

The flow for the link set up is depicted in Figure 4.

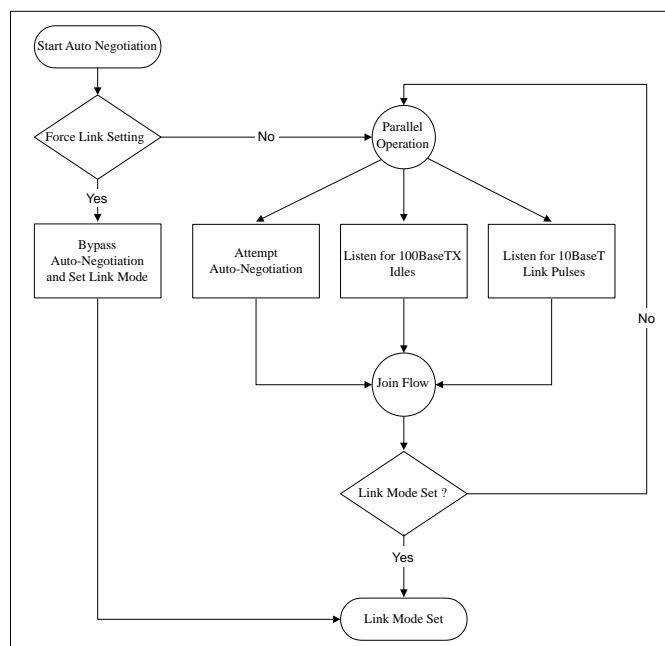


Figure 4. Auto-Negotiation

Functional Overview: Switch Core

Address Look-Up

The internal look-up table stores MAC addresses and their associated information. It contains a 1K unicast address table plus switching information. The KS8995M is guaranteed to learn 1K addresses and distinguishes itself from hash-based look-up tables which, depending on the operating environment and probabilities, may not guarantee the absolute number of addresses it can learn.

Learning

The internal look-up engine will update its table with a new entry if the following conditions are met:

- The received packet's SA (Source Address) does not exist in the look-up table.
- The received packet is good; the packet has no receiving errors, and is of legal length.

The look-up engine will insert the qualified SA into the table, along with the port number, time stamp. If the table is full, the last entry of the table will be deleted first to make room for the new entry.

Migration

The internal look-up engine also monitors whether a station is moved. If it happens, it will update the table accordingly. Migration happens when the following conditions are met:

- The received packet's SA is in the table but the associated source port information is different.
- The received packet is good; the packet has no receiving errors, and is of legal length.

The look-up engine will update the existing record in the table with the new source port information.

Aging

The look-up engine will update the time stamp information of a record whenever the corresponding SA appears. The time stamp is used in the aging process. If a record is not updated for a period of time, the look-up engine will remove the record from the table. The look-up engine constantly performs the aging process and will continuously remove aging records. The aging period is 300 + 75 seconds. This feature can be enabled or disabled through Register 3 or by external pull-up or pull-down resistors on LED[5][2]. See "Register 3" section.

Forwarding

The KS8995M will forward packets using an algorithm that is depicted in the following flowcharts. Figure 5 shows stage one of the forwarding algorithm where the search engine looks up the VLAN ID, static table, and dynamic table for the destination address, and comes up with "port to forward 1" (PTF1). PTF1 is then further modified by the spanning tree, IGMP snooping, port mirroring, and port VLAN processes to come up with "port to forward 2" (PTF2) as shown in Figure 6. This is where the packet will be sent.

The KS8995M will not forward the following packets:

- Error packets. These include framing errors, FCS errors, alignment errors, and illegal size packet errors.
- 802.3x pause frames. The KS8995M will intercept these packets and perform the appropriate actions.
- "Local" packets. Based on DA (Destination Address) look-up. If the destination port from the look-up table matches the port where the packet was from, the packet is defined as "local."

Switching Engine

The KS8995M features a high-performance switching engine to move data to and from the MAC's packet buffers. It operates in store and forward mode, while the efficient switching mechanism reduces overall latency.

The KS8995M has a 64kB internal frame buffer. This resource is shared between all five ports. The buffer sharing mode can be programmed through Register 2. See "Register 2." In one mode, ports are allowed to use any free buffers in the buffer pool. In the second mode, each port is only allowed to use 1/5 of the total buffer pool. There are a total of 512 buffers available. Each buffer is sized at 128B.

MAC (Media Access Controller) Operation

The KS8995M strictly abides by IEEE 802.3 standards to maximize compatibility.

Inter-Packet Gap (IPG)

If a frame is successfully transmitted, the 96-bit time IPG is measured between the two consecutive MTXEN. If the current packet is experiencing collision, the 96-bit time IPG is measured from MCRS and the next MTXEN.

Backoff Algorithm

The KS8995M implements the IEEE Std 802.3 binary exponential back-off algorithm, and optional "aggressive mode" back off. After 16 collisions, the packet will be optionally dropped depending on the chip configuration in register 3. See "Register 3."

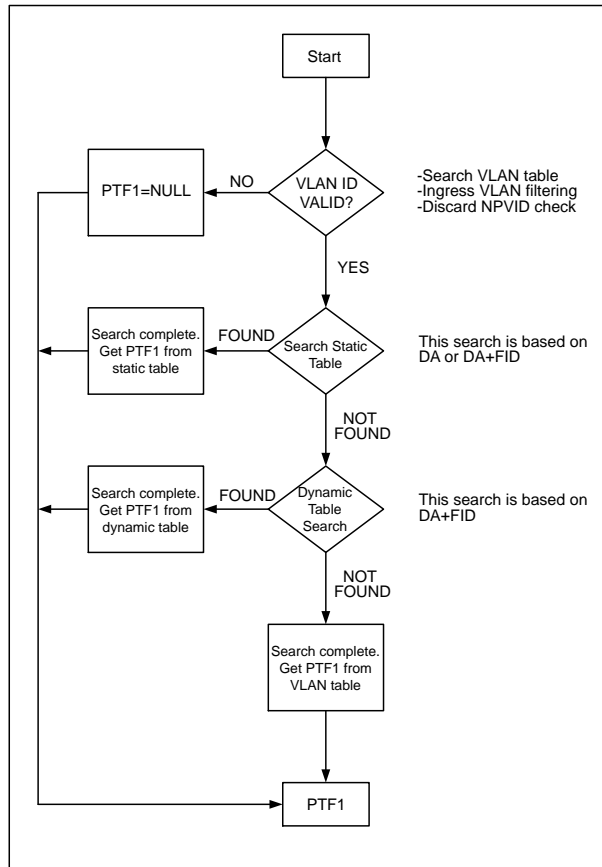


Figure 5. DA Look-Up Flowchart–Stage 1

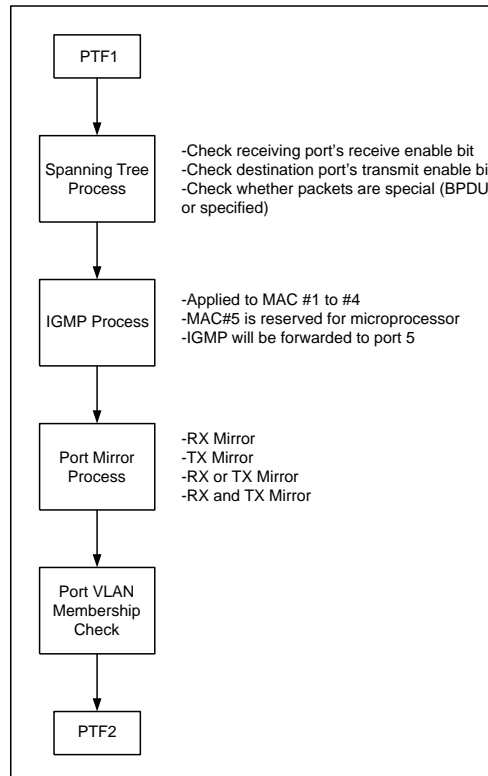


Figure 6. DA Resolution Flowchart–Stage 2

Late Collision

If a transmit packet experiences collisions after 512-bit times of the transmission, the packet will be dropped.

Illegal Frames

The KS8995M discards frames less than 64 bytes and can be programmed to accept frames up to 1536 bytes in register 4. For special applications, the KS8995M can also be programmed to accept frames up to 1916 bytes in register 4. Since the KS8995M supports VLAN tags, the maximum sizing is adjusted when these tags are present.

Flow Control

The KS8995M supports standard 802.3x flow control frames on both transmit and receive sides.

On the receive side, if the KS8995M receives a pause control frame, the KS8995M will not transmit the next normal frame until the timer, specified in the pause control frame, expires. If another pause frame is received before the current timer expires, the timer will be updated with the new value in the second pause frame. During this period (being flow controlled), only flow control packets from the KS8995M will be transmitted.

On the transmit side, the KS8995M has intelligent and efficient ways to determine when to invoke flow control. The flow control is based on availability of the system resources, including available buffers, available transmit queues and available receive queues.

The KS8995M will flow control a port, which just received a packet, if the destination port resource is being used up. The KS8995M will issue a flow control frame (XOFF), containing the maximum pause time defined in IEEE standard 802.3x. Once the resource is freed up, the KS8995M will send out the other flow control frame (XON) with zero pause time to turn off the flow control (turn on transmission to the port). A hysteresis feature is provided to prevent the flow control mechanism from being activated and deactivated too many times.

The KS8995M will flow control all ports if the receive queue becomes full.

Half-Duplex Back Pressure

A half-duplex back pressure option (note: not in 802.3 standards) is also provided. The activation and deactivation conditions are the same as the above in full-duplex mode. If back pressure is required, the KS8995M will send preambles to defer the other stations' transmission (carrier sense deference). To avoid jabber and excessive deference defined in 802.3 standard, after a certain time it will discontinue the carrier sense but it will raise the carrier sense quickly. This short silent time (no carrier sense) is to prevent other stations from sending out packets and keeps other stations in carrier sense deferred state. If the port has packets to send during a back pressure situation, the carrier-sense-type back pressure will be interrupted and those packets will be transmitted instead. If there are no more packets to send, carrier-sense-type back pressure will be active again until switch resources are free. If a collision occurs, the binary exponential backoff algorithm is skipped and carrier sense is generated immediately, reducing the chance of further colliding and maintaining carrier sense to prevent reception of packets.

To ensure no packet loss in 10BaseT or 100BaseTX half-duplex modes, the user must enable the following:

- Aggressive backoff (register 3, bit 0)
- No excessive collision drop (register 4, bit 3)
- Back pressure (register 4, bit 5)

These bits are not set as the default because this is not the IEEE standard.

Broadcast Storm Protection

The KS8995M has an intelligent option to protect the switch system from receiving too many broadcast packets. Broadcast packets will be forwarded to all ports except the source port, and thus use too many switch resources (bandwidth and available space in transmit queues). The KS8995M has the option to include "multicast packets" for storm control. The broadcast storm rate parameters are programmed globally, and can be enabled or disabled on a per port basis. The rate is based on a 50ms interval for 100BT and a 500ms interval for 10BT. At the beginning of each interval, the counter is cleared to zero, and the rate limit mechanism starts to count the number of bytes during the interval. The rate definition is described in Register 6 and Register 7. The default setting for registers 6 and 7 is 0x4A, which is 74 decimal. This is equal to a rate of 1%, calculated as follows:

$$148,800 \text{ frames/sec} \times 50\text{ms/interval} \times 1\% = 74 \text{ frames/interval (approx.)} = 0x4A$$

MII Interface Operation

The MII (Media Independent Interface) is specified by the IEEE 802.3 committee and provides a common interface between physical layer and MAC layer devices. The KS8995M provides two such interfaces. The MII-P5 interface is used to connect to the fifth PHY, whereas the MII-SW interface is used to connect to the fifth MAC. Each of these MII interfaces contains two distinct groups of signals, one for transmission and the other for receiving. Table 5 describes the signals used in the MII-P5 interface.

MII signal	Description	KS8995M signal
MTXEN	Transmit enable	PMTXEN
MTXER	Transmit error	PMTXER
MTXD3	Transmit data bit 3	PMTXD[3]
MTXD2	Transmit data bit 2	PMTXD[2]
MTXD1	Transmit data bit 1	PMTXD[1]
MTXD0	Transmit data bit 0	PMTXD[0]
MTXC	Transmit clock	PMTXC
MCOL	Collision detection	PCOL
MCRS	Carrier sense	PCRS
MRXDV	Receive data valid	PMRXDV
MRXER	Receive error	PMRXER
MRXD3	Receive data bit 3	PMRXD[3]
MRXD2	Receive data bit 2	PMRXD[2]
MRXD1	Receive data bit 1	PMRXD[1]
MRXD0	Receive data bit 0	PMRXD[0]
MRXC	Receive clock	PMRXC
MDC	Management data clock	MDC
MDIO	Management data I/O	MDIO

Table 1. MII–P5 Signals (PHY Mode)

PHY Mode Connection			MAC Mode Connection	
External MAC	KS8995M Signal	Description	External PHY	KS8995M Signal
MTXEN	SMTXEN	Transmit enable	MTXEN	SMRXDV
MTXER	SMTXER	Transmit error	MTXER	Not used
MTXD3	SMTXD[3]	Transmit data bit 3	MTXD3	SMRXD[3]
MTXD2	SMTXD[2]	Transmit data bit 2	MTXD2	SMRXD[2]
MTXD1	SMTXD[1]	Transmit data bit 1	MTXD1	SMRXD[1]
MTXD0	SMTXD[0]	Transmit data bit 0	MTXD0	SMRXD[0]
MTXC	SMTXC	Transmit clock	MTXC	SMRXC
MCOL	SCOL	Collision detection	MCOL	SCOL
MCRS	SCRS	Carrier sense	MCRS	SCRS
MRXDV	SMRXDV	Receive data valid	MRXDV	SMTXEN
MRXER	Not used	Receive error	MRXER	SMTXER
MRXD3	SMRXD[3]	Receive data bit 3	MRXD3	SMTXD[3]
MRXD2	SMRXD[2]	Receive data bit 2	MRXD2	SMTXD[2]
MRXD1	SMRXD[1]	Receive data bit 1	MRXD1	SMTXD[1]
MRXD0	SMRXD[0]	Receive data bit 0	MRXD0	SMTXD[0]
MRXC	SMRXC	Receive clock	MRXC	SMTXC

Table 2. MII–SW Signals

The MII-P5 interface operates in PHY mode only, while the MII-SW interface operates in either MAC mode or PHY mode. These interfaces are nibble wide data interfaces and therefore run at 1/4 the network bit rate (not encoded). Additional signals on the transmit side indicate when data is valid or when an error occurs during transmission. Likewise, the receive side has indicators that convey when the data is valid and without physical layer errors. For half-duplex operation there is a signal that indicates a collision has occurred during transmission.

Note that the signal MRXER is not provided on the MII-SW interface for PHY mode operation and the signal MTXER is not provided on the MII-SW interface for MAC mode operation. Normally MRXER would indicate a receive error coming from the physical layer device. MTXER would indicate a transmit error from the MAC device. These signals are not appropriate for this configuration. For PHY mode operation, if the device interfacing with the KS8995M has an MRXER pin, it should be tied low. For MAC mode operation, if the device interfacing with the KS8995M has an MTXER pin, it should be tied low.

SNI Interface Operation

The SNI (Serial Network Interface) is compatible with some controllers used for network layer protocol processing. This interface can be directly connected to these types of devices. The signals are divided into two groups, one for transmission and the other for reception. The signals involved are described in Table 3.

SNI Signal	Description	KS8995M Signal
TXEN	Transmit enable	SMTXEN
TXD	Serial transmit data	SMTXD[0]
TXC	Transmit clock	SMTXC
COL	Collision detection	SCOL
CRS	Carrier sense	SMRXDV
RXD	Serial receive data	SMRXD[0]
RXC	Receive clock	SMRXC

Table 3. SNI Signals

This interface is a bit wide data interface and therefore runs at the network bit rate (not encoded). An additional signal on the transmit side indicates when data is valid. Likewise, the receive side has an indicator that conveys when the data is valid. For half-duplex operation there is a signal that indicates a collision has occurred during transmission.

Advanced Functionality

Spanning Tree Support

To support spanning tree, port 5 is the designated port for the processor.

The other ports (port 1 - port 4) can be configured in one of the five spanning tree states via “transmit enable,” “receive enable” and “learning disable” register settings in Registers 18, 34, 50, and 66 for ports 1, 2, 3 and 4, respectively. The following description shows the port setting and software actions taken for each of the five spanning tree states.

Disable state: the port should not forward or receive any packets. Learning is disabled.

Port setting: “transmit enable = 0, receive enable = 0, learning disable = 1”

Software action: the processor should not send any packets to the port. The switch may still send specific packets to the processor (packets that match some entries in the static table with “overriding bit” set) and the processor should discard those packets. Note: processor is connected to port 5 via MII interface. Address learning is disabled on the port in this state.

Blocking state: only packets to the processor are forwarded. Learning is disabled.

Port setting: “transmit enable = 0, receive enable = 0, learning disable = 1”

Software action: the processor should not send any packets to the port(s) in this state. The processor should program the static table with the entries that it needs to receive (e.g. BPDU packets). The “overriding” bit should also be set so that the switch will forward those specific packets to the processor. Address learning is disabled on the port in this state.

Listening state: only packets to and from the processor are forwarded. Learning is disabled.

Port setting: “transmit enable = 0, receive enable = 0, learning disable = 1”

Software action: The processor should program the static MAC table with the entries that it needs to receive (e.g. BPDU packets). The “overriding” bit should be set so that the switch will forward those specific packets to the processor. The processor may send packets to the port(s) in this state, see “*Special Tagging Mode*” section for details. Address learning is disabled on the port in this state.

Learning state: only packets to and from the processor are forwarded. Learning is enabled.

Port setting: “transmit enable = 0, receive enable = 0, learning disable = 0”

Software action: The processor should program the static MAC table with the entries that it needs to receive (e.g. BPDU packets). The “overriding” bit should be set so that the switch will forward those specific packets to the processor. The processor may send packets to the port(s) in this state, see “Special Tagging Mode” section for details. Address learning is enabled on the port in this state.

Forwarding state: packets are forwarded and received normally. Learning is enabled.

Port setting: “transmit enable = 1, receive enable = 1, learning disable = 0”

Software action: The processor should program the static MAC table with the entries that it needs to receive (e.g. BPDU packets). The “overriding” bit should be set so that the switch will forward those specific packets to the processor. The processor may send packets to the port(s) in this state, see “Special Tagging Mode” section for details. Address learning is enabled on the port in this state.

Special Tagging Mode

The special tagging mode is designed for spanning tree protocol IGMP snooping and is flexible for use in other applications. The special tagging mode, similar to 802.1q, requires software to change network drivers to insert/modify/strip/interpret the special tag. This mode is enabled by setting both register 11 bit 0 and register 80-bit 2.

802.1q Tag Format	Special Tag Format
TPID (tag protocol identifier, 0x8100) + TCI	STPID (special tag identifier, 0x8100) + TCI 0x810 + 4 bit for “port mask”) + TCI

Table 4. Special Tagging Mode Format

The STPID will only be seen and used on the port 5 interface, which should be connected to a processor. Packets from the processor to the switch should be tagged with STPID and the port mask defined as below:

- “0001” packet to port 1 only
- “0010” packet to port 2 only
- “0100” packet to port 3 only
- “1000” packet to port 4 only
- “0011” packet broadcast to port 1 and port 2.
-
- “1111” packet broadcast to port 1, 2, 3 and 4.

“0000” normal tag, will use KS8995M internal look-up result. Normal packets should use this setting. If packets from the processors do not have a tag, the KS8995M will treat them as normal packets and an internal look-up will be performed.

The KS8995M uses a non-zero “port mask” to bypass the look-up result and override any port setting, regardless of port states (blocking, disable, listening, learning). The Table 5 shows the egress rules when dealing with STPID.

Ingress Tag Field	Tx Port "Tag Insertion"	Tx Port "Tag Removal"	Egress Action to Tag Field
(0x810+ port mask)	0	0	<ul style="list-style-type: none"> • Modify tag field to 0x8100 • Recalculate CRC • No change to TCI if not null VID • Replace VID with ingress (port 5) port VID if null VID
(0x810+ port mask)	0	1	<ul style="list-style-type: none"> • (STPID + TCI) will be removed • Padding to 64 bytes if necessary • Recalculate CRC
(0x810+ port mask)	1	0	<ul style="list-style-type: none"> • Modify tag field to 0x8100 • Recalculate CRC • No change to TCI if not null VID • Replace VID with ingress (port 5) port VID if null VID
(0x810+ port mask)	1	1	<ul style="list-style-type: none"> • Modify tag field to 0x8100 • Recalculate CRC • No change to TCI if not null VID • Replace VID with ingress (port 5) port VID if null VID
Not Tagged	Don't care	Don't care	Determined by the dynamic MAC address table

Table 5. STPID Egress Rules (Processor to Switch Port 5)

For packets from regular ports (port 1 - port 4) to port 5, the port mask is used to tell the processor which port the packet was received on, defined as:

"0001" from port 1,

"0010" from port 2,

"0100" from port 3,

"1000" from port 4

No values other than the previous four defined should be received in this direction in the special mode. Table 6 shows the egress rule for this direction.

Ingress Packets	Egress Action to Tag Field
Tagged with 0x8100 + TCI	<ul style="list-style-type: none"> • Modify TPID to 0x810 + "port mask," which indicates source port • No change to TCI, if VID is not null • Replace null VID with ingress port VID • Recalculate CRC
Not tagged	<ul style="list-style-type: none"> • Insert TPID to 0x810 + "port mask," which indicates source port • Insert TCI with ingress port VID • Recalculate CRC

Table 6. STPID Egress Rules (Switch to Processor)

IGMP Support

There are two parts involved to support IGMP in layer 2. The first part is "IGMP" snooping. The switch will trap IGMP packets and forward them only to the processor port. The IGMP packets are identified as IP packets (either Ethernet IP packets or IEEE 802.3 SNAP IP packets) AND IP version = 0x4 AND protocol number = 0x2. The second part is "multicast address insertion" in the static MAC table. Once the multicast address is programmed in the static MAC table, the multicast session will be trimmed to the subscribed ports, instead of broadcasting to all ports. To enable this feature, set register 5 bit 6 to 1. Also "special tag mode" needs to be enabled, so that the processor knows which port the IGMP packet was received on. Enable "special tag mode" by setting both register 11 bit 0 and register 80-bit 2.

Port Mirroring Support

KS8995M supports “port mirror” comprehensively as:

1. “Receive Only” mirror on a port. All the packets received on the port will be mirrored on the sniffer port. For example, port 1 is programmed to be “rx sniff,” and port 5 is programmed to be the “sniffer port.” A packet, received on port 1, is destined to port 4 after the internal look-up. The KS8995M will forward the packet to both port 4 and port 5. KS8995M can optionally forward even “bad” received packets to port 5.
2. “Transmit Only” mirror on a port. All the packets transmitted on the port will be mirrored on the sniffer port. For example, port 1 is programmed to be “tx sniff,” and port 5 is programmed to be the “sniffer port.” A packet, received on any of the ports, is destined to port 1 after the internal look-up. The KS8995M will forward the packet to both port 1 and port 5.
3. “Receive and Transmit” mirror on two ports. All the packets received on port A AND transmitted on port B will be mirrored on the sniffer port. To turn on the “AND” feature, set register 5 bit 0 to 1. For example, port 1 is programmed to be “rx sniff,” port 2 is programmed to be “transmit sniff” and port 5 is programmed to be the “sniffer port.” A packet, received on port 1, is destined to port 4 after the internal look-up. The KS8995M will forward the packet to port 4 only, since it does not meet the “AND” condition. A packet, received on port 1, is destined to port 2 after the internal look-up. The KS8995M will forward the packet to both port 2 and port 5.

Multiple ports can be selected to be “rx sniffed” or “tx sniffed.” And any port can be selected to be the “sniffer port.” All these per port features can be selected through Register 17.

VLAN Support

KS8995M supports 16 active VLANs out of 4096 possible VLANs specified in IEEE 802.1q. KS8995M provides a 16-entry VLAN table, which converts VID (12 bits) to FID (4bits) for address look-up. If a non-tagged or null-VID-tagged packet is received, the ingress port VID is used for look-up. In the VLAN mode, the look-up process starts with VLAN table look-up to determine whether the VID is valid. If the VID is not valid, the packet will be dropped and its address will not be learned. If the VID is valid, FID is retrieved for further look-up. FID+DA is used to determine the destination port. FID+SA is used for learning purposes.

DA found in Static MAC table	USE FID Flag?	FID Match?	DA+FID found in Dynamic MAC table	Action
No	Don't care	Don't care	No	Broadcast to the membership ports defined in the VLAN table bit [20:16]
No	Don't care	Don't care	Yes	Send to the destination port defined in the dynamic MAC table bit [54:52]
Yes	0	Don't care	Don't care	Send to the destination port(s) defined in the static MAC table bit [52:48]
Yes	1	No	No	Broadcast to the membership ports defined in the VLAN table bit [20:16]
Yes	1	No	Yes	Send to the destination port defined in the dynamic MAC table bit [54:52]
Yes	1	Yes	Don't care	Send to the destination port(s) defined in the static MAC table bit [52:48]

Table 7. FID+DA Look-Up in the VLAN Mode

SA+FID found in Dynamic MAC table	Action
No	The SA+FID will be learned into the dynamic table.
Yes	Time stamp will be updated

Table 8. FID+SA Look-Up in the VLAN Mode

Advanced VLAN features are also supported in KS8995M, such as “VLAN ingress filtering” and “discard non PVID” defined in register 18 bit 6 and bit 5. These features can be controlled on a port basis.

Rate Limit Support

KS8995M supports hardware rate limiting on “receive” and “transmit” independently on a per port basis. It also supports rate limiting in a priority or non-priority environment. The rate limit starts from 0Kbps and goes up to the line rate in steps of 32Kbps. The KS8995M uses one second as an interval. At the beginning of each interval, the counter is cleared to zero, and the rate limit mechanism starts to count the number of bytes during this interval.

For receive, if the number of bytes exceeds the programmed limit, the switch will stop receiving packets on the port until the “one second” interval expires. There is an option provided for flow control to prevent packet loss. If the rate limit is programmed greater than or equal to 128Kbps and the byte counter is 8K bytes below the limit, the flow control will be triggered. If the rate limit is programmed lower than 128Kbps and the byte counter is 2K bytes below the limit, the flow control will be triggered.

For transmit, if the number of bytes exceeds the programmed limit, the switch will stop transmitting packets on the port until the “one second” interval expires.

If priority is enabled, the KS8995M can support different rate controls for both high priority and low priority packets. This can be programmed through registers 21 – 27.

Configuration Interface

The KS8995M can function as a managed switch or unmanaged switch. If no EEPROM or micro-controller exists, the KS8995M will operate from its default setting. Some default settings are configured via strap in options as indicated in the table below.

Pin #	Pin Name	PU/PD	Description																
1	TEST1	NC	NC for normal operation. Factory test pin.																
45	MUX1	NC	MUX1 and MUX2 should be left unconnected for normal operation. They are factory test pins																
46	MUX2	NC																	
				<table border="1"> <thead> <tr> <th>Mode</th> <th>Mux1</th> <th>Mux2</th> </tr> </thead> <tbody> <tr> <td>Normal Operation</td> <td>NC</td> <td>NC</td> </tr> <tr> <td>Remote Analog Loopback Mode for Testing only</td> <td>0</td> <td>1</td> </tr> <tr> <td>Reserved</td> <td>1</td> <td>0</td> </tr> <tr> <td>Power Save Mode for Testing only</td> <td>1</td> <td>1</td> </tr> </tbody> </table>	Mode	Mux1	Mux2	Normal Operation	NC	NC	Remote Analog Loopback Mode for Testing only	0	1	Reserved	1	0	Power Save Mode for Testing only	1	1
Mode	Mux1	Mux2																	
Normal Operation	NC	NC																	
Remote Analog Loopback Mode for Testing only	0	1																	
Reserved	1	0																	
Power Save Mode for Testing only	1	1																	
62	PMRXD3	lpd/O	PHY[5] MII receive bit 3. Strap option: PD (default) = enable flow control; PU = disable flow control.																
63	PMRXD2	lpd/O	PHY[5] MII receive bit 2. Strap option: PD (default) = disable back pressure; PU = enable back pressure.																
64	PMRXD1	lpd/O	PHY[5] MII receive bit 1. Strap option: PD (default) = drop excessive collision packets; PU = does not drop excessive collision packets.																
65	PMRXD0	lpd/O	PHY[5] MII receive bit 0. Strap option: PD (default) = disable aggressive back-off algorithm in half-duplex mode; PU = enable for performance enhancement.																
66	PMRXER	lpd/O	PHY[5] MII receive error. Strap option: PD (default) = 1522/1518 bytes; PU = packet size up to 1536 bytes.																
67	PCRS	lpd/O	PHY[5] MII carrier sense/Force duplex mode. See "Register 76" for port 4 only. PD (default) = Force half-duplex if auto-negotiation is disabled or fails. PU = Force full-duplex if auto-negotiation is disabled or fails.																
68	PCOL	lpd/O	PHY[5] MII collision detect/ Force flow control. See "Register 66" for port 4 only. PD (default) = No force flow control. PU = Force flow control.																
80	SMRXD3	lpd/O	Switch MII receive bit 3. Strap option: PD (default) = Disable Switch MII full-duplex flow control; PU = Enable Switch MII full-duplex flow control.																
81	SMRXD2	lpd/O	Switch MII receive bit 2. Strap option: PD (default) = Switch MII in full-duplex mode; PU = Switch MII in half-duplex mode.																
82	SMRXD1	lpd/O	Switch MII receive bit 1. Strap option: PD (default) = Switch MII in 100Mbps mode; PU = Switch MII in 10Mbps mode.																
83	SMRXD0	lpd/O	Switch MII receive bit 0; Strap option: LED Mode PD (default) = Mode 0; PU = Mode 1. See "Register 11."																
				<table border="1"> <thead> <tr> <th>Mode 0</th> <th>Mode 1</th> </tr> </thead> <tbody> <tr> <td>Lnk/Act</td> <td>100Lnk/Act</td> </tr> <tr> <td>FullD/Col</td> <td>10Lnk/Act</td> </tr> <tr> <td>Speed</td> <td>FullD</td> </tr> </tbody> </table>	Mode 0	Mode 1	Lnk/Act	100Lnk/Act	FullD/Col	10Lnk/Act	Speed	FullD							
			Mode 0	Mode 1															
			Lnk/Act	100Lnk/Act															
FullD/Col	10Lnk/Act																		
Speed	FullD																		
LEDX_2	Lnk/Act	100Lnk/Act																	
LEDX_1	FullD/Col	10Lnk/Act																	
LEDX_0	Speed	FullD																	

Pin #	Pin Name	PU/PD	Description		
86	SCONF1	lpd	Dual MII configuration pin.		
			Pin# (91, 86, 87):	Switch MII	PHY [5] MII
			000	Disable, Otri	Disable, Otri
			001	PHY Mode MII	Disable, Otri
			010	MAC Mode MII	Disable, Otri
			011	PHY Mode SNI	Disable, Otri
			100	Disable	Disable
			101	PHY Mode MII	PHY Mode MII
			110	MAC Mode MII	PHY Mode MII
			111	PHY Mode SNI	PHY Mode MII
87	SCONF0	lpd	Dual MII configuration pin.		
90	LED5-2	lpu/O	LED indicator 2. Strap option: Aging setup. See "Aging" section. PU (default) = Aging Enable; PD = Aging disable.		
91	LED5-1	lpu/O	LED indicator 1. Strap option: PU (default): enable PHY MII I/F. PD: tristate all PHY MII output. See "pin# 86 SCONF1."		
113	PS1	lpd	Serial bus configuration pin If EEPROM is not present, the KS8995M will start itself with chip default (00)...		
			Pin Configuration	Serial Bus Configuration	
			PS[1:0]=00	I2C Master Mode for EEPROM	
			PS[1:0]=01	Reserved	
			PS[1:0]=10	SPI Slave Mode for CPU Interface	
			PS[1:0]=11	Factory Test Mode (BIST)	
114	PS0	lpd	Serial bus configuration pin. See "pin# 113."		
128	TEST2	NC	NC for normal operation. Factory test pin.		

I2C Master Serial Bus Configuration

If a 2-wire EEPROM exists, the KS8995M can perform more advanced features like “broadcast storm protection,” “rate control,” etc. The EEPROM should have the entire valid configuration data from register 0 to register 109 defined in the “Memory Map,” except the status registers. After reset, the KS8995M will start to read all 110 registers sequentially from the EEPROM. The configuration access time (t_{prgm}) is less than 15ms as shown in Figure 7.

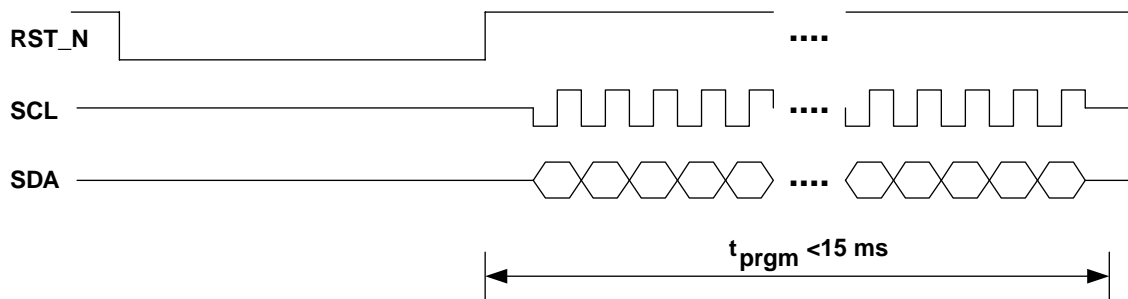


Figure 7. KS8995M EEPROM Configuration Timing Diagram

To configure the KS8995M with a pre-configured EEPROM use the following steps:

1. At the board level, connect pin 110 on the KS8995M to the SCL pin on the EEPROM. Connect pin 111 on the KS8995M to the SDA pin on the EEPROM.
2. Set the input signals PS[1:0] (pins 113 and 114, respectively) to “00”. This puts the KS8995M serial bus configuration into I2C master mode.
3. Be sure the board level reset signal is connected to the KS8995M reset signal on pin 115 (RST_N).
4. Program the contents of the EEPROM before placing it on the board with the desired configuration data. Note that the first byte in the EEPROM must be “95” for the loading to occur properly. If this value is not correct, all other data will be ignored.
5. Place EEPROM on the board and power up the board. Assert the active-low board level reset to RST_N on the KS8995M. After the reset is deasserted, the KS8995M will begin reading configuration data from the EEPROM. The configuration access time (t_{prgm}) is less than 15ms.

Note: For proper operation, make sure pin 47 (PWRDN_N) is not asserted during the reset operation.

SPI Slave Serial Bus Configuration

The KS8995M can also act as an SPI slave device. Through the SPI, the entire feature set can be enabled, including “VLAN,” “IGMP snooping,” “MIB counters,” etc. The external master device can access any register from register 0 to register 127 randomly. The system should configure all the desired settings before enabling the switch in the KS8995M. To enable the switch, write a one to register 1 bit 0.

Two standard SPI commands are supported (00000011 for “READ DATA,” and 00000010 for “WRITE DATA”). To speed configuration time, the KS8995M also supports multiple reads or writes. After a byte is written to or read from the KS8995M, the internal address counter automatically increments if the SPI Slave Select signal (SPIS_N) continues to be driven low. If SPIS_N is kept low after the first byte is read, the next byte at the next address will be shifted out on SPIQ. If SPIS_N is kept low after the first byte is written, bits on the Master Out Slave Input (SPID) line will be written to the next address. Asserting SPIS_N high terminates a read or write operation. This means that the SPIS_N signal must be asserted high and then low again before issuing another command and address. The address counter wraps back to zero once it reaches the highest address. Therefore the entire register set can be written to or read from by issuing a single command and address.

The KS8995M is able to support a 5MHz SPI bus. A high performance SPI master is recommended to prevent internal counter overflow.

To use the KS8995M SPI:

1. At the board level, connect KS8995M pins as follows:

KS8995M Pin Number	KS8995M Signal Name	Microprocessor Signal Description
112	SPIS_N	SPI Slave Select
110	SPIC	SPI Clock
111	SPID	Master Out Slave Input
109	SPIQ	Master In Slave Output

Table 9. SPI Connections

2. Set the input signals PS[1:0] (pins 113 and 114 respectively) to "10" to set the serial configuration to SPI slave mode.
3. Power up the board and assert a reset signal. After reset, the start switch bit in register 1 will be set to '0'. Configure the desired settings in the KS8995M before setting the start register to '1'.
4. Write configuration to registers using a typical SPI write data cycle as shown in Figure 8 or SPI multiple write as shown in Figure 10. Note that data input on SPID is registered on the rising edge of SPIC.
5. Registers can be read and configuration can be verified with a typical SPI read data cycle as shown in Figure 9 or a multiple read as shown in Figure 11. Note that read data is registered out of SPIQ on the falling edge of SPIC.
6. After configuration is written and verified, write a '1' to register 1 bit 0 to begin KS8995M operation.

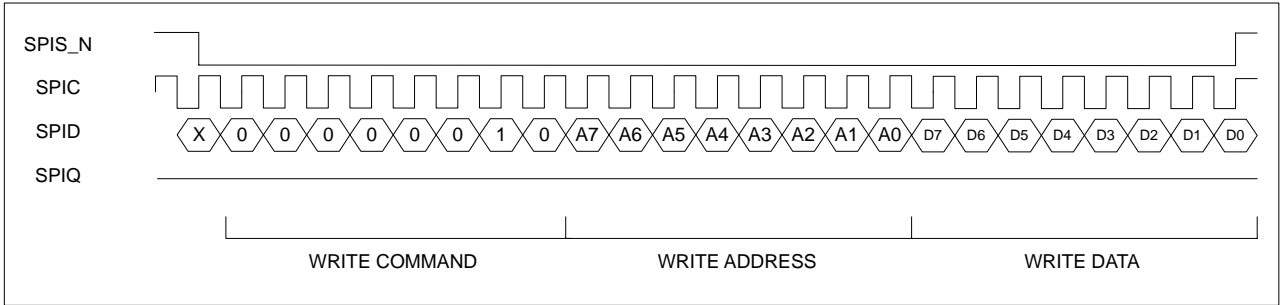


Figure 8. SPI Write Data Cycle

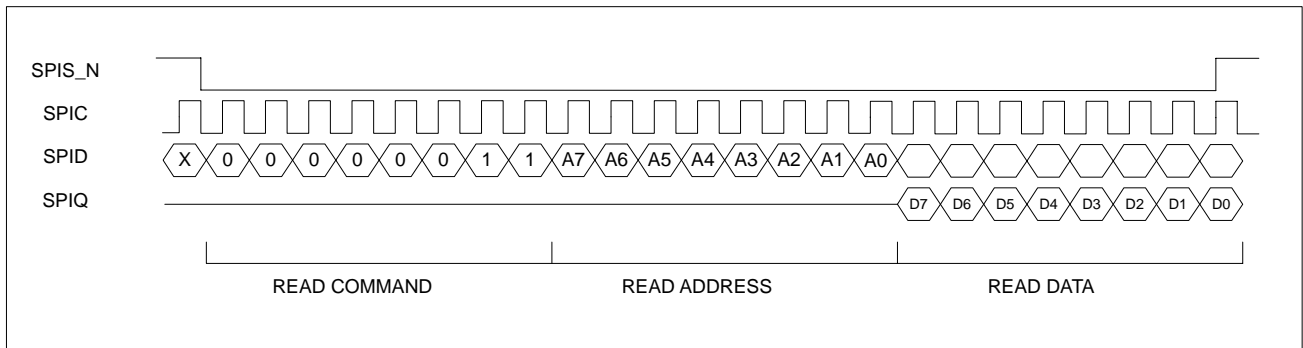


Figure 9. SPI Read Data Cycle

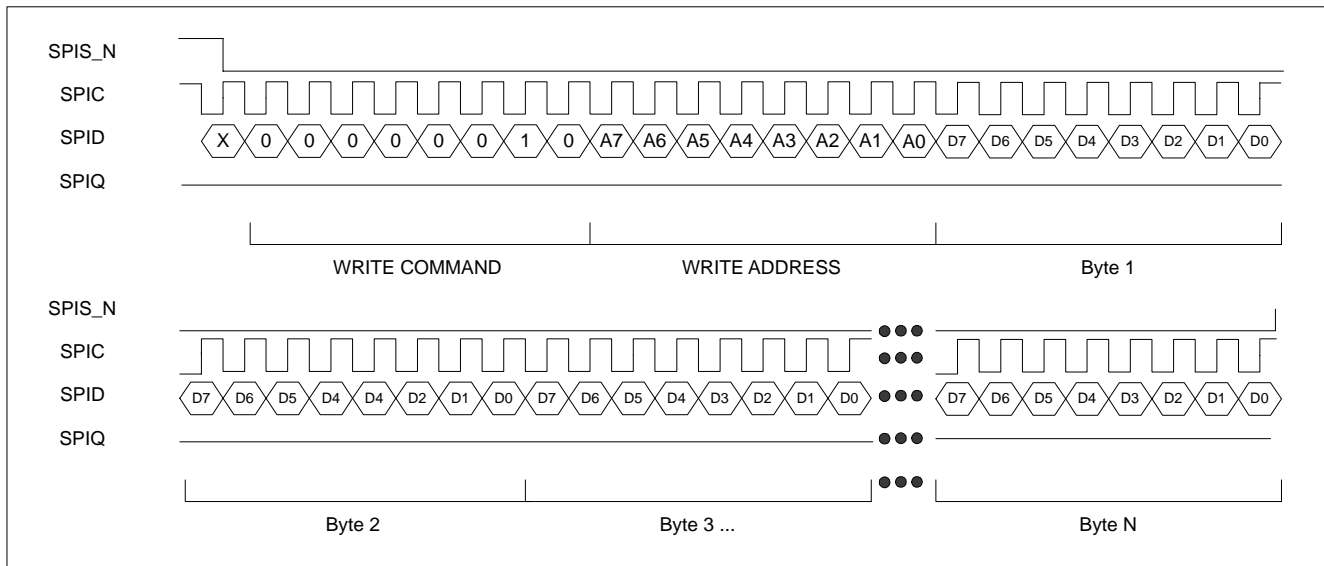


Figure 10. SPI Multiple Write

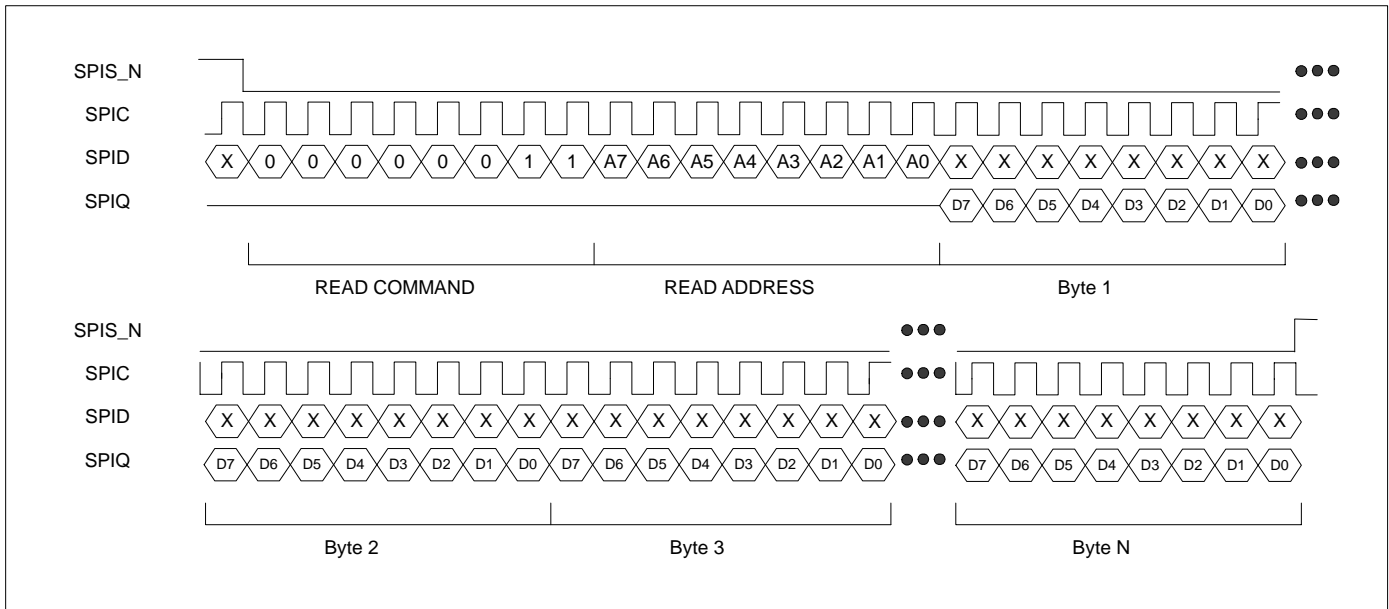


Figure 11. SPI Multiple Read

MIIM Management Interface (MIIM)

A standard MIIM interface is provided for all five PHY devices in the KS8995M. An external device with MDC/MDIO capability is able to read PHY status or to configure PHY settings. For details on the MIIM interface standard please reference the IEEE 802.3 specification (section 22.2.4.5). The MIIM interface does not have access to all the configuration registers in the KS8995M. It can only access the standard MIIM registers. See "MIIM Registers." The SPI interface, on the other hand, can be used to access the entire KS8995M feature set.

Register Description

Offset		
Decimal	Hex	Description
0-1	0x00-0x01	Chip ID Registers
2-11	0x02-0x0B	Global Control Registers
12-15	0x0C-0x0F	Reserved
16-29	0x10-0x1D	Port 1 Control Registers
30-31	0x1E-0x2F	Port 1 Status Registers
32-45	0x20-0x2D	Port 2 Control Registers
46-47	0x2E-0x2F	Port 2 Status Registers
48-61	0x30-0x3D	Port 3 Control Registers
62-63	0x3E-0x3F	Port 3 Status Registers
64-77	0x40-0x4D	Port 4 Control Registers
78-79	0x4E-0x4F	Port 4 Status Registers
80-93	0x50-0x5D	Port 5 Control Registers
94-95	0x5E-0x5F	Port 5 Status Registers
96-103	0x60-0x67	TOS Priority Control Registers
104-109	0x68-0x6D	MAC Address Registers
110-111	0x6E-0x6F	Indirect Access Control Registers
112-120	0x70-0x78	Indirect Data Registers
121-122	0x79-0x7A	Digital Testing Status Registers
123-124	0x7B-0x7C	Digital Testing Control Registers
125-126	0x7D-0x7E	Analog Testing Control Registers
127	0x7F	Analog Testing Status Register

Global Registers

Address	Name	Description	Mode	Default
Register 0 (0x00): Chip ID0				
7-0	Family ID	Chip family	RO	0x95
Register 1 (0x01): Chip ID1 / Start Switch				
7-4	Chip ID	0x0 is assigned to M series. (95M)	RO	0x0
3-1	Revision ID	Revision ID	RO	0x2
0	Start Switch	1, start the chip when external pins (PS1, PS0) = (1,0) or (0,1). Note: in (PS1,PS0) = (0,0) mode, the chip will start automatically, after trying to read the external EEPROM. If EEPROM does not exist, the chip will use default values for all internal registers. If EEPROM is present, the contents in the EEPROM will be checked. The switch will check: (1) Register 0 = 0x95, (2) Register 1 [7:4] = 0x0. If this check is OK, the contents in the EEPROM will override chip register default values.=0, chip will not start when external pins (PS1, PS0) = (1,0) or (0,1). <i>Note: (PS1, PS0) = (1,1) for factory test only.</i>	RW	0x0

Address	Name	Description	Mode	Default
Register 2 (0x02): Global Control 0				
7	Reserved	Reserved	R/W	0x0
6-4	802.1p base priority	Used to classify priority for incoming 802.1q packets. "User priority" is compared against this value. ≥ : classified as high priority. < : classified as low priority.	R/W	0x4
3	Enable PHY MII	1, enable PHY MII interface. (Note: if not enabled, the switch will tri-state all outputs)	R/W	Pin LED[5][1] strap option. Pull-down (0): isolate. Pull-up (1): Enable. <i>Note: LED[5][1] has internal pull-up.</i>
2	Buffer share mode	1, buffer pool is shared by all ports. A port can use more buffer when other ports are not busy. 0, a port is only allowed to use 1/5 of the buffer pool.	R/W	0x1
1	UNH mode	1 the switch will drop packets with 0x8808 in T/L filed, or DA=01-80-C2-00-00-01. 0, the switch will drop packets qualified as "flow control" packets.	R/W	0
0	Link change age	1, link change from "link" to "no link" will cause fast aging (<800μs) to age address table faster. After an age cycle is complete, the age logic will return to normal (300 + 75 seconds). Note: If any port is unplugged, all addresses will be automatically aged out.	R/W	0
Register 3 (0x03): Global Control 1				
7	Pass all frames	1, switch all packets including bad ones. Used solely for debugging purpose. Works in conjunction with sniffer mode.	R/W	0
6	Reserved	Reserved	R/W	0
5	IEEE 802.3x Transmit flow control disable	0, will enable transmit flow control based on AN result. 1, will not enable transmit flow control regardless of AN result.	R/W	Pin PMRXD3 strap option. Pull-down(0): Enable tx flow control. Pull-up (1): Disable tx/rx flow control. <i>Note: PMRXD3 has internal pull-down.</i>
4	IEEE 802.3x Receive flow control disable	0, will enable receive flow control based on AN result. 1, will not enable receive flow control regardless of AN result. Note: Bit 5 and bit 4 default values are controlled by the same pin, but they can be programmed independently.	R/W	Pin PMRXD3 strap option. Pull-down (0): Enable rx flow control. Pull-up (1): Disable tx/rx flow control. <i>Note: PMRXD3 has internal pull-down.</i>
3	Frame Length field check	1, will check frame length field in the IEEE packets. If the actual length does not match, the packet will be dropped. (for L/T < 1500)	R/W	0

Address	Name	Description	Mode	Default
2	Aging enable	1, Enable age function in the chip 0, Disable aging function	R/W	Pin LED[5][2] strap option. Pull-down (0): Aging disable. Pull-up (1): Aging enable. <i>Note: LED[5][2] has internal pull up.</i>
1	Fast age enable	1, Turn on fast age (800μs)	R/W	0
0	Aggressive back off enable	1, Enable more aggressive backoff algorithm in half duplex mode to enhance performance. This is not an IEEE standard.	R/W	Pin PMRXD0 strap option. Pull-down (0): Disable aggressive back off. Pull-up (1): Aggressive back off. <i>Note: PMRXD0 has internal pull down.</i>
Register 4 (0x04): Global Control 2				
7	Unicast port-VLAN mismatch discard	This feature is used for port-VLAN. (described in reg17, reg33...) 1, all packets can not cross VLAN boundary. 0, unicast packets (excluding unknown/multicast/broadcast) can cross VLAN boundary.	R/W	1
6	Multicast Storm protection disable	1, "Broadcast Storm Protection" does not include multicast packets. Only DA=FFFFFFFFFFFF packets will be regulated. 0, "Broadcast Storm Protection" includes DA = FFFFFFFFFF and DA[40] = 1 packets.	R/W	1
5	Back pressure mode	1, carrier sense based backpressure is selected. 0, collision based backpressure is selected.	R/W	1
4	Flow control and back pressure fair mode	1, fair mode is selected. In this mode, if a flow control port and a non-flow control port talk to the same destination port, packets from the non-flow control port may be dropped. This is to prevent the flow control port from being flow controlled for an extended period of time. 0, in this mode, if a flow control port and a non-flow control port talk to the same destination port, the flow control port will be flow controlled. This may not be "fair" to the flow control port.	R/W	1
3	No excessive collision drop	1, the switch will not drop packets when 16 or more collisions occur. 0, the switch will drop packets when 16 or more collisions occur.	R/W	Pin PMRXD1 strap option. Pull-down (0): Drop excessive collision packets. Pull-up (1): Don't drop excessive collision packets. <i>Note: PMRXD1 has internal pull down.</i>
2	Huge packet support	1, will accept packet sizes up to 1916 bytes (inclusive). This bit setting will override setting from bit 1 of the same register. 0, the max packet size will be determined by bit 1 of this register.	R/W	0

Address	Name	Description	Mode	Default
1	Legal Maximum Packet size check disable	1, will accept packet sizes up to 1536 bytes (inclusive). 0, 1522 bytes for tagged packets (not including packets with STPID from CPU to ports 1-4), 1518 bytes for untagged packets. Any packets larger than the specified value will be dropped.	R/W	Pin PMRXER strap option. Pull-down (0): 1518/1522 byte packets. Pull-up (1): 1536 byte packets. <i>Note: PMRXER has internal pull down.</i>
0	Priority Buffer reserve	1, Each output queue is pre-allocated 48 buffers, used exclusively for high priority packets. It is recommended to enable this when priority queue feature is turned on. 0, No reserved buffers for high priority packets.	R/W	0
Register 5 (0x05): Global Control 3				
7	802.1q VLAN enable	1, 802.1q VLAN mode is turned on. VLAN table needs to set up before the operation. 0, 802.1q VLAN is disabled.	R/W	0
6	IGMP snoop enable on Switch MII interface	1, IGMP snoop enabled. All the IGMP packets will be forwarded to switch MII port. 0, IGMP snoop disabled.	R/W	0
5	Enable direct mode on Switch MII interface	1, direct mode on port 5. This is a special mode for the switch MII interface. Using preamble before MRXDV to direct switch to forward packets, bypassing internal look-up. 0, normal operation.	R/W	0
4	Enable pre tag on Switch MII interface	1, packets forwarded to switch MII interface will be pre-tagged with the source port number. (preamble before MRXDV) 0, normal operation.	R/W	0
3-2	Priority Scheme select	00 = always deliver high priority packets first. 01 = deliver high/low packets at ratio 10/1. 10 = deliver high/low packets at ratio 5/1. 11 = deliver high/low packets at ratio 2/1.	R/W	00
1	Enable "tag" mask	1, the last 5 digits in the VID field are used as a mask to determine which port(s) the packet should be forwarded to. 0, no tag masks.	R/W	0
0	Sniff mode select	1, will do Rx AND Tx sniff (both source port and destination port need to match). 0, will do Rx OR Tx sniff (Either source port or destination port needs to match). This is the mode used to implement Rx only sniff.	R/W	0
Register 6 (0x06): Global Control 4				
7	Switch MII back pressure enable	1, enable half-duplex back pressure on switch MII interface. 0, disable back pressure on switch MII interface.	R/W	0
6	Switch MII half duplex mode	1, enable MII interface half-duplex mode. 0, enable MII interface full-duplex mode.	R/W	Pin SMRXD2 strap option. Pull-down (0): Full duplex mode. Pull-up (1): Half duplex mode <i>Note: SMRXD2 has internal pull down.</i>

Address	Name	Description	Mode	Default
5	Switch MII flow control enable	1, enable full-duplex flow control on switch MII interface. 0, disable full-duplex flow control on switch MII interface.	R/W	Pin SMRXD3 strap option. Pull-down (0): disable flow control. Pull-up(1): enable flow control. <i>Note: SMRXD3 has internal pull-down.</i>
4	Switch MII 10BT	1, the switch interface is in 10Mbps mode. 0, the switch interface is in 100Mbps mode.	R/W	Pin SMRXD1 strap option. Pull-down (0): Enable 100Mbps. Pull-up (1): Enable 10Mbps. <i>Note: SMRXD1 has internal pull-down.</i>
3	Null VID replacement	1, will replace null VID with port VID(12 bits). 0, no replacement for null VID.	R/W	0
2-0	Broadcast storm protection rate Bit [10:8]	This along with the next register determines how many "64 byte blocks" of packet data allowed on an input port in a preset period. The period is 50ms for 100BT or 500ms for 10BT. The default is 1%.	R/W	000
Register 7 (0x07): Global Control 5				
7-0	Broadcast storm protection rate Bit [7:0]	This along with the previous register determines how many "64 byte blocks" of packet data are allowed on an input port in a preset period. The period is 50ms for 100BT or 500ms for 10BT. The default is 1%.	R/W	0x4A ⁽¹⁾

Note:

1. $148,800 \text{ frames/sec} \times 50\text{ms/interval} \times 1\% = 74 \text{ frames/interval (approx.)} = 0x4A$

Register 8 (0x08): Global Control 6							
7-0	Factory testing	Reserved	R/W	0x24			
Register 9 (0x09): Global Control 7							
7-0	Factory testing	Reserved	R/W	0x28			
Register 10 (0x0A): Global Control 8							
7-0	Factory testing	Reserved	R/W	0x24			
Register 11 (0x0B): Global Control 9							
7-2	Reserved	N/A		0			
1	LED mode	0 = led mode 0 1 = led mode 1	R/W	Pin SMRXD0 strap option. Pull-down (0): Enabled led mode 0. Pull-up (1): Enabled led mode 1. <i>Note: SMRXD0 has internal pull-down 0.</i>			
					Mode 0	Mode 1	
					LEDX_2	Lnk/Act	100Lnk/Act
					LEDX_1	FullD/Col	10Lnk/Act
		LEDX_0	Speed	FullD			
0	Special TPID mode	Used for direct mode forwarding from port 5. See "Spanning Tree" functional description.	R/W	0			

Port Registers

The following registers are used to enable features that are assigned on a per port basis. The register bit assignments are the same for all ports, but the address for each port is different, as indicated.

Register 16 (0x10): Port 1 Control 0

Register 32 (0x20): Port 2 Control 0

Register 48 (0x30): Port 3 Control 0

Register 64 (0x40): Port 4 Control 0

Register 80 (0x50): Port 5 Control 0

Address	Name	Description	Mode	Default
7	Broadcast storm protection enable	1, enable broadcast storm protection for ingress packets on the port. 0, disable broadcast storm protection.	R/W	0
6	Diffserv priority classification enable	1, enable DiffServ priority classification for ingress packets on port. 0, disable DiffServ function.	R/W	0
5	802.1p priority classification enable	1, enable 802.1p priority classification for ingress packets on port. 0, disable 802.1p.	R/W	0
4	Port-based priority classification enable	1, ingress packets on the port will be classified as high priority if "DiffServ" or "802.1p" classification is not enabled or fails to classify. 0, ingress packets on port will be classified as low priority if "DiffServ" or "802.1p" classification is not enabled or fails to classify. <i>Note: "DiffServ", "802.1p" and port priority can be enabled at the same time. The OR'ed result of 802.1p and DSCP overwrites the port priority.</i>	R/W	0
3	Reserved	Reserved	R/W	0
2	Tag insertion	1, when packets are output on the port, the switch will add 802.1q tags to packets without 802.1q tags when received. The switch will not add tags to packets already tagged. The tag inserted is the ingress port's "port VID" 0, disable tag insertion.	R/W	0
1	Tag removal	1, when packets are output on the port, the switch will remove 802.1q tags from packets with 802.1q tags when received. The switch will not modify packets received without tags. 0, disable tag removal.	R/W	0
0	Priority enable	1, the port output queue is split into high and low priority queues. 0, single output queue on the port. There is no priority differentiation even though packets are classified into high or low priority.	R/W	0

Register 17 (0x11): Port 1 Control 1

Register 33 (0x21): Port 2 Control 1

Register 49 (0x31): Port 3 Control 1

Register 65 (0x41): Port 4 Control 1

Register 81 (0x51): Port 5 Control 1

Address	Name	Description	Mode	Default
7	Sniffer port	1, Port is designated as sniffer port and will transmit packets that are monitored. 0, Port is a normal port.	R/W	0
6	Receive sniff	1, All the packets received on the port will be marked as "monitored packets" and forwarded to the designated "sniffer port." 0, no receive monitoring.	R/W	0

Address	Name	Description	Mode	Default
5	Transmit sniff	1, All the packets transmitted on the port will be marked as "monitored packets" and forwarded to the designated "sniffer port." 0, no transmit monitoring.	R/W	0
4-0	Port VLAN membership	Define the port's "Port VLAN membership." Bit 4 stands for port 5, bit 3 for port 4... bit 0 for port 1. The Port can only communicate within the membership. A '1' includes a port in the membership, a '0' excludes a port from membership.	R/W	0x1f

Register 18 (0x12): Port 1 Control 2

Register 34 (0x22): Port 2 Control 2

Register 50 (0x32): Port 3 Control 2

Register 66 (0x42): Port 4 Control 2

Register 82 (0x52): Port 5 Control 2

Address	Name	Description	Mode	Default
7	Reserved	Reserved		0x0
6	Ingress VLAN filtering	1, the switch will discard packets whose VID port membership in VLAN table bit[20:16] does not include the ingress port. 0, no ingress VLAN filtering.	R/W	0
5	Discard Non PVID packets	1, the switch will discard packets whose VID does not match ingress port default VID. 0, no packets will be discarded.	R/W	0
4	Force flow control	1, will always enable rx and tx flow control on the port, regardless of AN result. 0, the flow control is enabled based on AN result. <i>Note: Setting a port for both half-duplex and forced flow control is an illegal configuration. For half-duplex enable back pressure.</i>	R/W	0 For port 4 only, there is a special configuration pin to set the default, Pin PCOL strap option. Pull-down (0): No Force flow control Pull-up (1): Force flow control. <i>Note: PCOL has internal pull down.</i>
3	Back pressure enable	1, enable port's half-duplex back pressure. 0, disable port's half-duplex back pressure.	R/W	Pin PMRXD2 strap option. Pull-down (0): disable back pressure. Pull-up (1): enable back pressure. <i>Note: PMRXD2 has internal pull-down.</i>
2	Transmit enable	1, enable packet transmission on the port. 0, disable packet transmission on the port.	R/W	1
1	Receive enable	1, enable packet reception on the port. 0, disable packet reception on the port.	R/W	1
0	Learning disable	1, disable switch address learning capability. 0, enable switch address learning.	R/W	0

Note:

Bits 2-0 are used for spanning tree support. See "Spanning Tree Support" section.

Register 19 (0x13): Port 1 Control 3
Register 35 (0x23): Port 2 Control 3
Register 51 (0x33): Port 3 Control 3
Register 67 (0x43): Port 4 Control 3
Register 83 (0x53): Port 5 Control 3

Address	Name	Description	Mode	Default
7-0	Default tag [15:8]	Port's default tag, containing 7-5: user priority bits 4: CFI bit 3-0 : VID[11:8]	R/W	0

Register 20 (0x14): Port 1 Control 4
Register 36 (0x24): Port 2 Control 4
Register 52 (0x34): Port 3 Control 4
Register 68 (0x44): Port 4 Control 4
Register 84 (0x54): Port 5 Control 4

Address	Name	Description	Mode	Default
7-0	Default tag [7:0]	Default port 1's tag, containing 7-0: VID[7:0]	R/W	1

Note:

Registers 19 and 20 (and those corresponding to other ports) serve two purposes: (1) Associated with the ingress untagged packets, and used for egress tagging; (2) Default VID for the ingress untagged or null-VID-tagged packets, and used for address look-up.

Register 21 (0x15): Port 1 Control 5
Register 37 (0x25): Port 2 Control 5
Register 53 (0x35): Port 3 Control 5
Register 69 (0x45): Port 4 Control 5
Register 85 (0x55): Port 5 Control 5

Address	Name	Description	Mode	Default
7-0	Transmit high priority rate control [7:0]	This along with port control 7, bits [3:0] form a 12-bit field to determine how many "32Kbps" high priority blocks can be transmitted. (In a unit of 4K bytes in a one second period.)	R/W	0

Register 22 (0x16): Port 1 Control 6
Register 38 (0x26): Port 2 Control 6
Register 54 (0x36): Port 3 Control 6
Register 70 (0x46): Port 4 Control 6
Register 86 (0x56): Port 5 Control 6

Address	Name	Description	Mode	Default
7-0	Transmit low priority rate control [7:0]	This along with port control 7, bits [7:4] form a 12-bit field to determine how many "32Kbps" low priority blocks can be transmitted. (In a unit of 4K bytes in a one second period.)	R/W	0

Register 23 (0x17): Port 1 Control 7
Register 39 (0x27): Port 2 Control 7
Register 55 (0x37): Port 3 Control 7
Register 71 (0x47): Port 4 Control 7
Register 87 (0x57): Port 5 Control 7

Address	Name	Description	Mode	Default
7-4	Transmit low priority rate control [11:8]	This along with port control 6, bits [7:0] form a 12-bit field to determine how many "32Kbps" low priority blocks can be transmitted. (In a unit of 4K bytes in a one second period.)	R/W	0
3-0	Transmit high priority rate control [11:8]	This along with port control 5, bits [7:0] form a 12-bit field to determine how many "32Kbps" high priority blocks can be transmitted. (In unit of 4K bytes in a one second period.)	R/W	0

Register 24 (0x18): Port 1 Control 8
 Register 40 (0x28): Port 2 Control 8
 Register 56 (0x38): Port 3 Control 8
 Register 72 (0x48): Port 4 Control 8
 Register 88 (0x58): Port 5 Control 8

Address	Name	Description	Mode	Default
7-0	Receive high priority rate control [7:0]	This along with port control 10, bits [3:0] form a 12-bit field to determine how many "32Kbps" high priority blocks can be received. (In a unit of 4K bytes in a one second period.)	R/W	0

Register 25 (0x19): Port 1 Control 9
 Register 41 (0x29): Port 2 Control 9
 Register 57 (0x39): Port 3 Control 9
 Register 73 (0x49): Port 4 Control 9
 Register 89 (0x59): Port 5 Control 9

Address	Name	Description	Mode	Default
7-0	Receive low priority rate control [7:0]	This along with port control 10, bits [7:4] form a 12-bit field to determine how many "32Kbps" low priority blocks can be received. (In a unit of 4K bytes in a one second period.)	R/W	0

Register 26 (0x1A): Port 1 Control 10
 Register 42 (0x2A): Port 2 Control 10
 Register 58 (0x3A): Port 3 Control 10
 Register 74 (0x4A): Port 4 Control 10
 Register 90 (0x5A): Port 5 Control 10

Address	Name	Description	Mode	Default
7-4	Receive low priority rate control [11:8]	This along with port control 9, bits [7:0] form a 12-bit field to determine how many "32Kbps" low priority blocks can be received. (In a unit of 4K bytes in a one second period.)	R/W	0
3-0	Receive high priority rate control [11:8]	This along with port control 8, bits [7:0] form a 12-bit field to determine how many "32Kbps" high priority blocks can be received. (In a unit of 4K bytes in a one second period.)	R/W	0

Register 27 (0x1B): Port 1 Control 11
 Register 43 (0x2B): Port 2 Control 11
 Register 59 (0x3B): Port 3 Control 11
 Register 75 (0x4B): Port 4 Control 11
 Register 91 (0x5B): Port 5 Control 11

Address	Name	Description	Mode	Default
7	Receive differential priority rate control	1, If bit 6 is also '1' this will enable receive rate control for this port on low priority packets at the low priority rate. If bit 5 is also '1', this will enable receive rate control on high priority packets at the high priority rate 0, receive rate control will be based on the low priority rate for all packets on this port.	R/W	0
6	Low priority receive rate control enable	1, enable port's low priority receive rate control feature. 0, disable port's low priority receive rate control.	R/W	0
5	High priority receive rate control enable	1, If bit 7 is also '1' this will enable the port's high priority receive rate control feature. If bit 7 is a '0' and bit 6 is a '1', all receive packets on this port will be rate controlled at the low priority rate. 0, disable port's high priority receive rate control feature.	R/W	0
4	Low priority receive rate flow control enable	1, flow control may be asserted if the port's low priority receive rate is exceeded. 0, flow control is not asserted if the port's low priority receive rate is exceeded.	R/W	0

Address	Name	Description	Mode	Default
3	High priority receive rate flow control enable	1, flow control may be asserted if the port's high priority receive rate is exceeded. (To use this, differential receive rate control must be on.) 0, flow control is not asserted if the port's high priority receive rate is exceeded.	R/W	0
2	Transmit differential priority rate control	1, will do transmit rate control on both high and low priority packets based on the rate counters defined by the high and low priority packets respectively. 0, will do transmit rate control on any packets. The rate counters defined in low priority will be used.	R/W	0
1	Low priority transmit rate control enable	1, enable the port's low priority transmit rate control feature. 0, disable the port's low priority transmit rate control feature.	R/W	0
0	High priority transmit rate control enable	1, enable the port's high priority transmit rate control feature. 0, disable the port's high priority transmit rate control feature.	R/W	0

Register 28 (0x1C): Port 1 Control 12

Register 44 (0x2C): Port 2 Control 12

Register 60 (0x3C): Port 3 Control 12

Register 76 (0x4C): Port 4 Control 12

Register 92 (0x5C): Port 5 Control 12

Note:

Port Control 12 and 13, and Port Status 0 contents can be accessed by MIIM (MDC/MDIO) interface via the standard MIIM register definition.

Address	Name	Description	Mode	Default
7	Disable auto-negotiation	1, disable auto-negotiation, speed and duplex are decided by bit 6 and 5 of the same register. 0, auto-negotiation is on.	R/W	0
6	Forced speed	1, forced 100BT if AN is disabled (bit 7). 0, forced 10BT if AN is disabled (bit 7).	R/W	1
5	Forced duplex	1, forced full-duplex if (1) AN is disabled or (2) AN is enabled but failed. 0, forced half-duplex if (1) AN is disabled or (2) AN is enabled but failed.	R/W	0 For port 4 only, there is a special configure pin to set the default, Pin PCRS strap option. Pull-down (0): Force half-duplex. Pull-up (1): Force full-duplex. <i>Note: PCRS has internal pull down.</i>
4	Advertised flow control capability	1, advertise flow control capability. 0, suppress flow control capability from transmission to link partner.	R/W	1
3	Advertised 100BT full-duplex capability	1, advertise 100BT full-duplex capability. 0, suppress 100BT full-duplex capability from transmission to link partner.	R/W	1
2	Advertised 100BT half-duplex capability	1, advertise 100BT half-duplex capability. 0, suppress 100BT half-duplex capability from transmission to link partner.	R/W	1
1	Advertised 10BT full-duplex capability	1, advertise 10BT full-duplex capability. 0, suppress 10BT full-duplex capability from transmission to link partner.	R/W	0

Address	Name	Description	Mode	Default
0	Advertised 10BT half-duplex capability	1, advertise 10BT half-duplex capability. 0, suppress 10BT half-duplex capability from transmission to link partner.	R/W	1

Register 29 (0x1D): Port 1 Control 13

Register 45 (0x2D): Port 2 Control 13

Register 61 (0x3D): Port 3 Control 13

Register 77 (0x4D): Port 4 Control 13

Register 93 (0x5D): Port 5 Control 13

Address	Name	Description	Mode	Default
7	LED off	1, Turn off all port's LEDs (LEDx_2, LEDx_1, LEDx_0, where "x" is the port number). These pins will be driven high if this bit is set to one. 0, normal operation.	R/W	0
6	Txids	1, disable port's transmitter. 0, normal operation.	R/W	0
5	Restart AN	1, restart auto-negotiation. 0, normal operation.	R/W	0
4	Disable Far end fault	1, disable far end fault detection and pattern transmission. 0, enable far end fault detection and pattern transmission.	R/W	0
3	Power down	1, power down 0, normal operation	R/W	0
2	Disable auto MDI/MDIX	1, disable auto MDI/MDIX function. 0, enable auto MDI/MDIX function.	R/W	0
1	Forced MDI	1, If auto MDI/MDIX is disabled, force PHY into MDI mode. 0, Do not force PHY into MDI mode.	R/W	0
0	Loopback	1, Perform "local loopback," (ie. loopback PHYs TX back to RX). 0, normal operation.	R/W	0

Register 30 (0x1E): Port 1 Status 0

Register 46 (0x2E): Port 2 Status 0

Register 62 (0x3E): Port 3 Status 0

Register 78 (0x4E): Port 4 Status 0

Register 94 (0x5E): Port 5 Status 0

Address	Name	Description	Mode	Default
7	MDIX status	1, MDI 0, MDIX	RO	0
6	AN done	1, AN done 0, AN not done	RO	0
5	Link good	1, link good 0, link not good	RO	0
4	Partner flow control capability	1, link partner flow control capable 0, link partner not flow control capable	RO	0
3	Partner 100BT full-duplex capability	1, link partner 100BT full-duplex capable 0, link partner not 100BT full-duplex capable	RO	0
2	Partner 100BT half-duplex capability	1, link partner 100BT half-duplex capable 0, link partner not 100BT half-duplex capable	RO	0
1	Partner 10BT full-duplex capability	1, link partner 10BT full-duplex capable 0, link partner not 10BT full-duplex capable	RO	0
0	Partner 10BT half-duplex capability	1, link partner 10BT half-duplex capable 0, link partner not 10BT half-duplex capable	RO	0

Register 31 (0x1F): Port 1 Status 1
 Register 47 (0x2F): Port 2 Status 1
 Register 63 (0x3F): Port 3 Status 1
 Register 79 (0x4F): Port 4 Status 1
 Register 95 (0x5F): Port 5 Status 1

Address	Name	Description	Mode	Default
7-1	Reserved	1, perform PHY loopback, i.e. loopback MAC's TX back to RX. 0, normal operation.	R/O	0
0	Far end fault	1, Far end fault status detected. 0, no far end fault status detected.	RO	0

Advanced Control Registers

The IPv4 TOS priority control registers implement a fully decoded 64 bit DSCP (Differentiated Services Code Point) register used to determine priority from the 6 bit TOS field in the IP header. The most significant 6 bits of the TOS field are fully decoded into 64 possibilities, and the singular code that results is compared against the corresponding bit in the DSCP register. If the register bit is a 1, the priority is high; if it is a 0, the priority is low.

Address	Name	Description	Mode	Default
---------	------	-------------	------	---------

Register 96 (0x60): TOS Priority Control Register 0

7-0	DSCP[63:56]		R/W	00000000
-----	-------------	--	-----	----------

Register 97 (0x61): TOS Priority Control Register 1

7-0	DSCP[55:48]		R/W	00000000
-----	-------------	--	-----	----------

Register 98 (0x62): TOS Priority Control Register 2

7-0	DSCP[47:40]		R/W	00000000
-----	-------------	--	-----	----------

Register 99 (0x63): TOS Priority Control Register 3

7-0	DSCP[39:32]		R/W	00000000
-----	-------------	--	-----	----------

Register 100 (0x64): TOS Priority Control Register 4

7-0	DSCP[31:24]		R/W	00000000
-----	-------------	--	-----	----------

Register 101 (0x65): TOS Priority Control Register 5

7-0	DSCP[23:16]		R/W	00000000
-----	-------------	--	-----	----------

Register 102 (0x66): TOS Priority Control Register 6

7-0	DSCP[15:8]		R/W	00000000
-----	------------	--	-----	----------

Register 103 (0x67): TOS Priority Control Register 7

7-0	DSCP[7:0]		R/W	00000000
-----	-----------	--	-----	----------

Registers 104 to 109 define the switching engine's MAC address. This 48-bit address is used as the source address in MAC pause control frames.

Register 104 (0x68): MAC Address Register 0

7-0	MACA[47:40]		R/W	0x00
-----	-------------	--	-----	------

Register 105 (0x69): MAC Address Register 1

7-0	MACA[39:32]		R/W	0x10
-----	-------------	--	-----	------

Register 106 (0x6A): MAC Address Register 2

7-0	MACA[31:24]		R/W	0xA1
-----	-------------	--	-----	------

Register 107 (0x6B): MAC Address Register 3

7-0	MACA[23:16]		R/W	0xff
-----	-------------	--	-----	------

Register 108 (0x6C): MAC Address Register 4

7-0	MACA[15:8]		R/W	0xff
-----	------------	--	-----	------

Register 109 (0x6D): MAC Address Register 5

7-0	MACA[7:0]		R/W	0xff
-----	-----------	--	-----	------

Use registers 110 and 111 to read or write data to the static MAC address table, VLAN table, dynamic address table, or the MIB counters.

Address	Name	Description	Mode	Default
Register 110 (0x6E): Indirect Access Control 0				
7-5	Reserved	Reserved	R/W	000
4	Read High Write Low	1, read cycle 0, write cycle	R/W	0
3-2	Table select	00 = static mac address table selected 01 = VLAN table selected 10 = dynamic address table selected 11 = MIB counter selected	R/W	0
1-0	Indirect address high	Bit 9-8 of indirect address	R/W	00

Register 111 (0x6F): Indirect Access Control 1

7-0	Indirect address low	Bit 7-0 of indirect address	R/W	00000000
-----	----------------------	-----------------------------	-----	----------

Note:

write to register 111 will actually trigger a command. Read or write access will be decided by bit 4 of reg110.

Register 112 (0x70): Indirect Data Register 8

68-64	Indirect data	Bit 68-64 of indirect data	R/W	00000
-------	---------------	----------------------------	-----	-------

Register 113 (0x71): Indirect Data Register 7

63-56	Indirect data	Bit 63-56 of indirect data	R/W	00000000
-------	---------------	----------------------------	-----	----------

Register 114 (0x72): Indirect Data Register 6

55-48	Indirect data	Bit 55-48 of indirect data	R/W	00000000
-------	---------------	----------------------------	-----	----------

Register 115 (0x73): Indirect Data Register 5

47-40	Indirect data	Bit 47-40 of indirect data	R/W	00000000
-------	---------------	----------------------------	-----	----------

Register 116 (0x74): Indirect Data Register 4

39-32	Indirect data	Bit 39-32 of indirect data	R/W	00000000
-------	---------------	----------------------------	-----	----------

Register 117 (0x75): Indirect Data Register 3

31-24	Indirect data	Bit of 31-24 of indirect data	R/W	00000000
-------	---------------	-------------------------------	-----	----------

Register 118 (0x76): Indirect Data Register 2

23-16	Indirect data	Bit 23-16 of indirect data	R/W	00000000
-------	---------------	----------------------------	-----	----------

Register 119 (0x77): Indirect Data Register 1

15-8	Indirect data	Bit 15-8 of indirect data	R/W	00000000
------	---------------	---------------------------	-----	----------

Register 120 (0x78): Indirect Data Register 0

7-0	Indirect data	Bit 7-0 of indirect data	R/W	00000000
-----	---------------	--------------------------	-----	----------

Do not write or read to/from registers 121 to 127. Doing so may prevent proper operation.

Micrel internal testing only.

Register 121 (0x79): Digital Testing Status 0

7-0	Factory testing	Reserved Qm_split status	RO	0x0
-----	-----------------	-----------------------------	----	-----

Register 122 (0x7A): Digital Testing Status 1

7-0	Factory testing	Reserved Dbg[7:0]	RO	0x0
-----	-----------------	----------------------	----	-----

Register 123 (0x7B): Digital Testing Control 0

7-0	Factory testing	Reserved Dbg[12:8]	R/W	0x0
-----	-----------------	-----------------------	-----	-----

Register 124 (0x7C): Digital Testing Control 1

7-0	Factory testing	Reserved	R/W	0x0
-----	-----------------	----------	-----	-----

Register 125 (0x7D): Analog Testing Control 0

7-0	Factory testing	Reserved	R/W	0x0
-----	-----------------	----------	-----	-----

Address	Name	Description	Mode	Default
Register 126 (0x7E): Analog Testing Control 1				
7-0	Factory testing	Reserved	R/W	0x0
Register 127 (0x7F): Analog Testing Status				
7-0	Factory testing	Reserved	RO	0x0

Static MAC Address

KS8995M has a static and a dynamic address table. When a DA look-up is requested, both tables will be searched to make a packet forwarding decision. When an SA look-up is requested, only the dynamic table is searched for aging, migration and learning purposes. The static DA look-up result will have precedence over the dynamic DA look-up result. If there are DA matches in both tables, the result from the static table will be used. The static table can only be accessed and controlled by an external SPI master (usually a processor). The entries in the static table will not be aged out by KS8995M. An external device does all addition, modification and deletion.

Note:

Register bit assignments are different for static MAC table reads and static MAC table write as shown in the two tables below.

Address	Name	Description	Mode	Default
---------	------	-------------	------	---------

Format of Static MAC Table for Reads (8 entries)

60-57	FID	Filter VLAN ID, representing one of the 16 active VLANs	RO	0000
56	Use FID	1, use (FID+MAC) to look-up in static table. 0, use MAC only to look-up in static table.	RO	0
55	Reserved	Reserved	RO	N/A
54	Override	1, override spanning tree "transmit enable = 0" or "receive enable = 0" setting. This bit is used for spanning tree implementation. 0, no override.	RO	0
53	Valid	1, this entry is valid, the look-up result will be used 0, this entry is not valid.	RO	0
52-48	Forwarding ports	The 5 bits control the forward ports, example: 00001, forward to port 1 00010, forward to port 2 10000, forward to port 5 00110, forward to port 2 and port 3 11111, broadcasting (excluding the ingress port)	RO	00000
47-0	MAC address	48 bit mac address	RO	0x0

Format of Static MAC Table for Writes (8 entries)

59-56	FID	Filter VLAN ID, representing one of the 16 active VLANs.	W	0000
55	Use FID	1, use (FID+MAC) to look-up in static table. 0, use MAC only to look-up in static table.	W	0
54	override	1, override spanning tree "transmit enable = 0" or "receive enable = 0" setting. This bit is used for spanning tree implementation. 0, no override.	W	0
53	valid	1, this entry is valid, the look-up result will be used. 0, this entry is not valid.	W	0
52-48	Forwarding ports	The 5 bits control the forward ports, example: 00001, forward to port 1 00010, forward to port 2 10000, forward to port 5 00110, forward to port 2 and port 3 11111, broadcasting (excluding the ingress port)	W	00000
47-0	MAC address	48 bit MAC address	W	0x0

Table 12. Static MAC Address Table

Examples:

(1) Static Address Table Read (read the 2nd entry)

Write to reg110 with 0x10 (read static table selected)

Write to reg111 with 0x1 (trigger the read operation)

Then

Read reg113 (60-56)

Read reg114 (55-48)

Read reg115 (47-40)

Read reg116 (39-32)

Read reg117 (31-24)

Read reg118 (23-16)

Read reg119 (15-8)

Read reg120 (7-0)

(2) Static Address Table Write (write the 8th entry)

Write reg113 (59-56)

Write reg114 (55-48)

Write reg115 (47-40)

Write reg116 (39-32)

Write reg117 (31-24)

Write reg118 (23-16)

Write reg119 (15-8)

Write reg120 (7-0)

Write to reg110 with 0x00 (write static table selected)

Write to reg111 with 0x7 (trigger the write operation)

VLAN Address

VLAN table is used to do VLAN table look-up. If 802.1q VLAN mode is enabled (Register 5 bit 7 =1), this table will be used to retrieve VLAN information that the ingress packet is associated with. The information includes FID (filter ID), VID(VLAN ID), VLAN membership described below:

Address	Name	Description	Mode	Default
Format of Static VLAN Table (16 entries)				
21	Valid	1, the entry is valid 0, entry is invalid	R/W	1
20-16	Membership	Specify which ports are members of the VLAN. If a DA look-up fails (no match in both static and dynamic tables), the packet associated with this VLAN will be forwarded to ports specified in this field. Eg. 11001 means port 5,4, and 1 are in this VLAN.	R/W	11111
15-12	FID	Filter ID. KS8995M supports 16 active VLANs represented by these four bit fields. FID is the mapped ID. If 802.1q VLAN is enabled, the look-up will be based on FID+DA and FID+SA.	R/W	0
11-0	VID	EEE 802.1q 12 bit VLAN ID	R/W	1

Table 13. VLAN Table

If 802.1q VLAN mode is enabled, KS8995M will assign a VID to every ingress packet. If the packet is untagged or tagged with a null VID, the packet is assigned with the default port VID of the ingress port. If the packet is tagged with non null VID, the VID in the tag will be used. The look-up process will start from the VLAN table look-up. If the VID is not valid, the packet will be dropped and no address learning will take place. If the VID is valid, the FID is retrieved. The FID+DA and FID+SA lookups are performed. The FID+DA look-up determines the forwarding ports. If FID+DA fails, the packet will be broadcasted to all the members (excluding the ingress port) of the VLAN. If FID+SA fails, the FID+SA will be learned.

Examples:

(1) VLAN Table Read (read the 3rd entry)

Write to reg110 with 0x14 (read VLAN table selected)

Write to reg111 with 0x2 (trigger the read operation)

Then

Read reg118 (VLAN table bits 21-16)

Read reg119 (VLAN table bits 15-8)

Read reg120 (VLAN table bits 7-0)

(2) VLAN Table Write (write the 7th entry)

Write to reg118 (VLAN table bits 21-16)

Write to reg119 (VLAN table bits 15-8)

Write to reg120 (VLAN table bits 7-0)

Write to reg110 with 0x04 (write static table selected)

Write to reg111 with 0x6 (trigger the write operation)

Dynamic MAC Address

This table is ready only. The contents are maintained by KS8995M only.

Address	Name	Description	Mode	Default
Format of Dynamic MAC Address Table (1K entries)				
68	MAC empty	1, there is no valid entry in the table. 0, there are valid entries in the table.	RO	1
67-58	No of valid entries	Indicates how many valid entries in the table: 0x3ff means 1K entries 0x1 means 2 entries 0x0 and bit 68 = 0: means 1 entry 0x0 and bit 68 = 1: means 0 entry	RO	0
57-56	Time stamp	2-bit counters for internal aging.	RO	
55	Data ready	1, The entry is not ready, retry until this bit is set to 0. 0, The entry is ready.	RO	
54-52	Source port	The source port where FID+MAC is learned. 000 port 1 001 port 2 010 port 3 011 port 4 100 port 5	RO	0x0
51-48	FID	Filter ID	RO	0x0
47-0	MAC address	48 bit MAC address	RO	0x0

Table 14. Dynamic MAC Address Table

Examples:

(1) Dynamic MAC Address Table Read (read the 1st entry), and retrieve the MAC table size

Write to reg110 with 0x18 (read dynamic table selected)

Write to reg111 with 0x0 (trigger the read operation)

Then

Read reg112 (68-64)

Read reg113 (63-56) ; // the above two registers show # of entries

Read reg114 (55-48) // if bit 55 is 1, restart(reread) from this register

Read reg115 (47-40)

Read reg116 (39-32)

Read reg117 (31-24)

Read reg118 (23-16)

Read reg119 (15-8)

Read reg120 (7-0)

(2) Dynamic MAC Address Table Read (read the 257th entry), without retrieving # of entries info

Write to reg110 with 0x19 (read dynamic table selected)

Write to reg111 with 0x1 (trigger the read operation)

Then

Read reg114 (55-48) // if bit 55 is 1, restart (reread) from this register

Read reg115 (47-40)

Read reg116 (39-32)

Read reg117 (31-24)

Read reg118 (23-16)

Read reg119 (15-8)

Read reg120 (7-0)

MIB Counters

The MIB counters are provided on per port basis. The indirect memory is as below.

For port 1

Offset	Counter Name	Description
0x0	RxLoPriorityByte	Rx lo-priority (default) octet count including bad packets.
0x1	RxHiPriorityByte	Rx hi-priority octet count including bad packets.
0x2	RxUndersizePkt	Rx undersize packets w/ good CRC.
0x3	RxFragments	Rx fragment packets w/ bad CRC, symbol errors or alignment errors.
0x4	RxOversize	Rx oversize packets w/ good CRC (max: 1536 or 1522 bytes).
0x5	RxJabbers	Rx packets longer than 1522B w/ either CRC errors, alignment errors, or symbol errors. (Depends on max packet size setting)
0x6	RxSymbolError	Rx packets w/ invalid data symbol and legal packet size.
0x7	RxCRCError	Rx packets within (64,1522) bytes w/ an integral number of bytes and a bad CRC. (Upper limit depends on max packet size setting)
0x8	RxAlignmentError	Rx packets within (64,1522) bytes w/ a non-integral number of bytes and a bad CRC. (Upper limit depends on max packet size setting)
0x9	RxControl8808Pkts	The number of MAC control frames received by a port with 88-08h in EtherType field.
0xA	RxPausePkts	The number of PAUSE frames received by a port. PAUSE frame is qualified with EtherType (88-08h), DA, control opcode (00-01), data length (64B min), and a valid CRC.
0xB	RxBroadcast	Rx good broadcast packets (not including errored broadcast packets or valid multicast packets).
0xC	RxMulticast	Rx good multicast packets (not including MAC control frames, errored multicast packets or valid broadcast packets).
0xD	RxUnicast	Rx good unicast packets.
0xE	Rx64Octets	Total Rx packets (bad packets included) that were 64 octets in length.
0xF	Rx65to127Octets	Total Rx packets (bad packets included) that are between 65 and 127 octets in length.
0x10	Rx128to255Octets	Total Rx packets (bad packets included) that are between 128 and 255 octets in length.
0x11	Rx256to511Octets	Total Rx packets (bad packets included) that are between 256 and 511 octets in length.
0x12	Rx512to1023Octets	Total Rx packets (bad packets included) that are between 512 and 1023 octets in length.
0x13	Rx1024to1522Octets	Total Rx packets (bad packets included) that are between 1024 and 1522 octets in length. (Upper limit depends on max packet size setting)
0x14	TxLoPriorityByte	Tx lo-priority good octet count, including PAUSE packets.
0x15	TxHiPriorityByte	Tx hi-priority good octet count, including PAUSE packets.
0x16	TxLateCollision	The number of times a collision is detected later than 512 bit-times into the Tx of a packet.
0x17	TxPausePkts	The number of PAUSE frames transmitted by a port.
0x18	TxBroadcastPkts	Tx good broadcast packets (not including errored broadcast or valid multicast packets).
0x19	TxMulticastPkts	Tx good multicast packets (not including errored multicast packets or valid broadcast packets).
0x1A	TxUnicastPkts	Tx good unicast packets.
0x1B	TxDeferred	Tx packets by a port for which the 1st Tx attempt is delayed due to the busy medium.
0x1C	TxTotalCollision	Tx total collision, half-duplex only.
0x1D	TxExcessiveCollision	A count of frames for which Tx fails due to excessive collisions.
0x1E	TxSingleCollision	Successfully Tx frames on a port for which Tx is inhibited by exactly one collision.
0x1F	TxMultipleCollision	Successfully Tx frames on a port for which Tx is inhibited by more than one collision.

Table 15. Port-1 MIB Counter Indirect Memory Offsets

For port 2, the base is 0x20, same offset definition (0x20-0x3f)

For port 3, the base is 0x40, same offset definition (0x40-0x5f)

For port 4, the base is 0x60, same offset definition (0x60-0x7f)

For port 5, the base is 0x80, same offset definition (0x80-0x9f)

Address	Name	Description	Mode	Default
Format of Per Port MIB Counters (16 entries)				
31	Overflow	1, Counter overflow 0, No Counter overflow	RO	0
30	Count Valid	1, Counter value is valid 0, Counter value is not valid	RO	0
29-0	Counter values	Counter value	RO	0

Offset	Counter Name	Description
0x100	Port1 Tx Drop Packets	Tx packets dropped due to lack of resources
0x101	Port2 Tx Drop Packets	Tx packets dropped due to lack of resources
0x102	Port3 Tx Drop Packets	Tx packets dropped due to lack of resources
0x103	Port4 Tx Drop Packets	Tx packets dropped due to lack of resources
0x104	Port5 Tx Drop Packets	Tx packets dropped due to lack of resources
0x105	Port1 Rx Drop Packets	Rx packets dropped due to lack of resources
0x106	Port2 Rx Drop Packets	Rx packets dropped due to lack of resources
0x107	Port3 Rx Drop Packets	Rx packets dropped due to lack of resources
0x108	Port4 Rx Drop Packets	Rx packets dropped due to lack of resources
0x109	Port5 Rx Drop Packets	Rx packets dropped due to lack of resources

Table 16. All Port Dropped Packet MIB Counters

Address	Name	Description	Mode	Default
Format of All Port Dropped Packet MIB Counters				
30-16	Reserved	Reserved	N/A	N/A
15-0	Counter values	Counter value	RO	0

Note:

All port dropped packet MIB counters do not indicate overflow or validity; therefore the application must keep track of overflow and valid conditions.

Examples:

(1) MIB counter read (read port 1 rx 64 counter)

Write to reg110 with 0x1c (read MIB counters selected)

Write to reg111 with 0xe (trigger the read operation)

Then

Read reg117 (counter value 31-24)

// If bit 31 = 1, there was a counter overflow.

// If bit 30 = 0, restart (reread) from this register.

Read reg118 (counter value 23-16)

Read reg119 (counter value 15-8)

Read reg120 (counter value 7-0)

(2) MIB counter read (read port 2 rx 64 counter)

Write to reg110 with 0x1c
(read MIB counter selected)

Write to reg111 with 0x2e
(trigger the read operation)

Then

Read reg117 (counter value 31-24)
// If bit 31 = 1, there was a counter overflow.
// If bit 30 = 0, restart (reread) from this register.

Read reg118 (counter value 23-16)

Read reg119 (counter value 15-8)

Read reg120 (counter value 7-0)

(3) MIB counter read (read port 1 tx drop packets)

Write to reg 110 with 0x1d

Write to reg 111 with 0x00

Then

Read reg119 (counter value 15-8)

Read reg120 (counter value 7-0)

Note:

To read out all the counters, the best performance over the SPI bus is $(160+3) \times 8 \times 200 = 260\text{ms}$, where there are 160 register, 3 overhead, 8 clocks per access, at 5MHz. In the heaviest condition, the byte counter will overflow in 2 minutes. It is recommended that the software read all the counters at least every 30 seconds. The per port MIB counters are designed as "read clear." A per port MIB counter will be cleared after it is accessed. All port dropped packet MIB counters are not cleared after they are accessed. The application needs to keep track of overflow and valid conditions on these counters.

MIIM Registers

(All the registers defined in this section can be also accessed via the SPI interface. Note: different mapping mechanisms used for MIIM and SPI). The "PHYAD" defined in IEEE is assigned as "0x1" for port 1, "0x2" for port 2, "0x3" for port 3, "0x4" for port 4, "0x5" for port 5. The "REGAD" supported are 0,1,2,3,4,5.

Address	Name	Description	Mode	Default
Register 0: MII Control				
15	Soft reset	Not supported	RO	0
14	Loop back	1, Loop back mode (loop back at MAC) 0, Normal operation	R/W	0
13	Force 100	1, 100Mbps 0, 10Mbps	R/W	1
12	AN enable	1, Auto-negotiation enabled 0, Auto-negotiation disabled	R/W	1
11	Power down	1, Power down 0, Normal operation	R/W	0
10	PHY Isolate	Not supported	RO	0
9	Restart AN	1, Restart auto-negotiation 0, Normal operation	R/W	0
8	Force full-duplex	1, Full duplex 0, Half-duplex	R/W	0
7	Collision test	NOT SUPPORTED	RO	0
6	Reserved		RO	0
5	Reserved		RO	0
4	Force MDI	1, Force MDI 0, Normal operation	R/W	0
3	Disable Auto MDI/MDIX	1, Disable auto MDI/MDIX 0, Normal operation	R/W	0
2	Disable far end fault	1, Disable far end fault detection 0, Normal operation	R/W	0
1	Disable transmit	1, Disable transmit 0, Normal operation	R/W	0
0	Disable LED	1, Disable LED 0, Normal operation	R/W	0

Address	Name	Description	Mode	Default
Register 1: MII Status				
15	T4 capable	0, Not 100 BaseT4 capable	RO	0
14	100 Full capable	1, 100BaseTX full-duplex capable 0, Not capable of 100BaseTX full-duplex	RO	1
13	100 Half capable	1, 100BaseTX half-duplex capable 0, Not 100BaseTX half-duplex capable	RO	1
12	10 Full capable	1, 10BaseT full-duplex capable 0, Not 10BaseT full-duplex capable	RO	1
11	10 Half capable	1, 10BaseT half-duplex capable 0, 10BaseT half-duplex capable	RO	1
10-7	Reserved		RO	0
6	Preamble suppressed	NOT SUPPORTED	RO	0
5	AN complete	1, Auto-negotiation complete 0, Auto-negotiation not completed	RO	0
4	Far end fault	1, Far end fault detected 0, No far end fault detected	RO	0
3	AN capable	1, Auto-negotiation capable 0, Not Auto-negotiation capable	RO	1
2	Link status	1, Link is up 0, Link is down	RO	0
1	Jabber test	NOT SUPPORTED	RO	0
0	Extended capable	0, Not extended register capable	RO	0

Register 2: PHYID HIGH

15-0	Phyid high	High order PHYID bits	RO	0x0022
------	------------	-----------------------	----	--------

Register 3: PHYID LOW

15-0	Phyid low	Low order PHYID bits	RO	0x1450
------	-----------	----------------------	----	--------

Register 4: Advertisement Ability

15	Next page	NOT SUPPORTED	RO	0
14	Reserved		RO	0
13	Remote fault	NOT SUPPORTED	RO	0
12-11	Reserved		RO	0
10	Pause	1, Advertise pause ability 0, Do not advertise pause ability	R/W	1
9	Reserved		R/W	0
8	Adv 100 Full	1, Advertise 100 full-duplex ability 0, Do not advertise 100 full-duplex ability	R/W	1
7	Adv 100 Half	1, Advertise 100 half-duplex ability 0, Do not advertise 100 half-duplex ability	R/W	1
6	Adv 10 Full	1, Advertise 10 full-duplex ability 0, Do not advertise 10 full-duplex ability	R/W	1
5	Adv 10 Half	1, Advertise 10 half-duplex ability 0, Do not advertise 10 half-duplex ability	R/W	1
4-0	Selector field	802.3	RO	00001

Address	Name	Description	Mode	Default
Register 5: Link Partner Ability				
15	Next page	NOT SUPPORTED	RO	0
14	LP ACK	NOT SUPPORTED	RO	0
13	Remote fault	NOT SUPPORTED	RO	0
12-11	Reserved		RO	0
10	Pause	Link partner pause capability	RO	0
9	Reserved		RO	0
8	Adv 100 Full	Link partner 100 full capability	RO	0
7	Adv 100 Half	Link partner 100 half capability	RO	0
6	Adv 10 Full	Link partner 10 full capability	RO	0
5	Adv 10 Half	Link partner 10 half capability	RO	0
4-0	Reserved		RO	00001

Absolute Maximum Ratings⁽¹⁾

Supply Voltage	
(V_{DDAR} , V_{DDAP} , V_{DDC} , V_{DDAT})	-0.5V to +2.4V
(V_{DDIO})	-0.5V to +4.0V
Input Voltage	-0.5V to +4.0V
Output Voltage	-0.5V to +4.0V
Lead Temperature (soldering, 10 sec.)	270°C
Storage Temperature (T_S)	-55°C to +150°C

Operating Ratings⁽²⁾

Supply Voltage	
(V_{DDAR} , V_{DDAP} , V_{DDC})	+1.7V to +1.9V
(V_{DDAT})	+2.4V to +2.6V
(V_{DDIO})	+3.0 to +3.6
Ambient Temperature (T_A)	
Commercial	-0°C to +70°C
Industrial	-40°C to +85°C
Package Thermal Resistance ⁽³⁾	
PQFP (θ_{JA}) No Air Flow	59.47°C/W

Electrical Characteristics⁽⁴⁾

$V_{IN} = 1.8V/2.5V$; $T_A = 0^\circ C$ to $+70^\circ C$; unless noted, **bold** values indicate $-40^\circ C \leq T_A \leq +85^\circ C$; unless noted.

Symbol	Parameter	Condition	Min	Typ	Max	Units
100BaseTx Operation—All Ports 100% Utilization						
I_{DX}	100BaseTX (Transmitter)	V_{DDAT}		229	250	mA
I_{DDC}	100BaseTX (Digital Core/PLL + Analog Rx)	V_{DDC} , V_{DDAP} , V_{DDAR}		157	230	mA
I_{DDIO}	100BaseTX (Digital IO)	V_{DDIO}		17	30	mA
10BaseTx Operation—All Ports 100% Utilization						
I_{DX}	10BaseTX (Transmitter)	V_{DDAT}		350	375	mA
I_{DDC}	10BaseTX (Digital Core + Analog Rx)	V_{DDC} , V_{DDAP}		102	180	mA
I_{DDIO}	10BaseTX (Digital IO)	V_{DDIO}		6	15	mA
Auto-Negotiation Mode						
I_{DX}	10BaseTX (Transmitter)	V_{DDAT}		25	40	mA
I_{DDC}	10BaseTX (Digital Core + Analog Rx)	V_{DDC} , V_{DDAP}		108	180	mA
I_{DDIO}	10BaseTX (Digital IO)	V_{DDIO}		17	20	mA
TTL Inputs						
V_{IH}	Input High Voltage		$1/2 (V_{DDIO}) + 0.4V$			V
V_{IL}	Input Low Voltage				$1/2 (V_{DDIO}) - 0.4V$	V
I_{IN}	Input Current (Excluding Pull-up/Pull-down)	$V_{IN} = GND \sim V_{DDIO}$	-10		10	μA
TTL Outputs						
V_{OH}	Output High Voltage	$I_{OH} = -8mA$	$V_{DDIO} - 0.4$			V
V_{OL}	Output Low Voltage	$I_{OL} = 8mA$			+0.4	V
$ I_{OZ} $	Output Tri-State Leakage	$V_{IN} = GND \sim V_{DDIO}$			10	μA
100BaseTX Transmit (measured differentially after 1:1 transformer)						
V_O	Peak Differential Output Voltage	100 Ω termination on the differential output	0.95		1.05	V
V_{IMB}	Output Voltage Imbalance	100 Ω termination on the differential output			2	%
t_r, t_f	Rise/Fall Time		3		5	ns
	Rise/Fall Time Imbalance		0		0.5	ns

Notes:

- Exceeding the absolute maximum rating may damage the device.
- The device is not guaranteed to function outside its operating rating. Unused inputs must always be tied to an appropriate logic voltage level (Ground to V_{DD}).
- No HS (heat spreader) in package.
- Specification for packaged product only.

Symbol	Parameter	Condition	Min	Typ	Max	Units
100BaseTX Transmit (measured differentially after 1:1 transformer)						
	Duty Cycle Distortion				±0.5	ns
	Overshoot				5	%
V _{SET}	Reference Voltage of ISET			0.5		V
	Output Jitters	Peak-to-peak		0.7	1.4	ns
10BaseTX Receive						
V _{SQ}	Squelch Threshold	5MHz square wave		400		mV
10BaseT Transmit (measured differentially after 1:1 transformer) V_{DDAT} = 2.5V						
V _P	Peak Differential Output Voltage	100Ω termination on the differential output		2.3		V
	Jitters Added	100Ω termination on the differential output			±3.5	V
	Rise/Fall Times			28	30	ns

Timing Diagrams

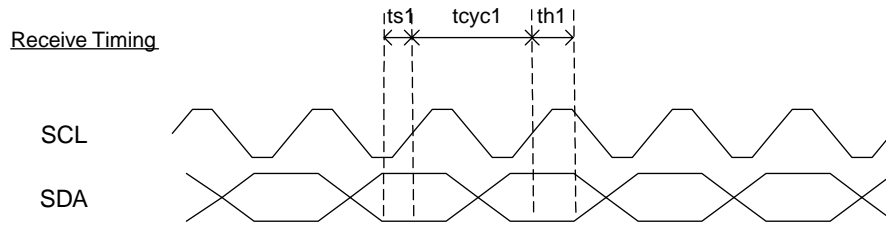


Figure 12. EEPROM Interface Input Receive Timing Diagram

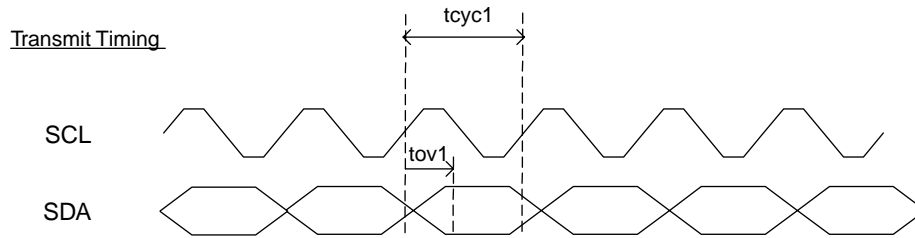


Figure 13. EEPROM Interface Output Transmit Timing Diagram

Symbol	Parameter	Min	Typ	Max	Units
t_{CYC1}	Clock Cycle		16384		ns
t_{S1}	Set-Up Time	20			ns
t_{H1}	Hold Time	20			ns
t_{OV1}	Output Valid	4096	4112	4128	ns

Table 17. EEPROM Timing Parameters

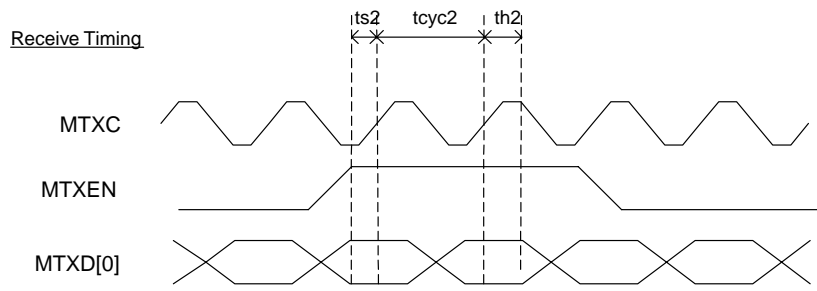


Figure 14. SNI Input Timing

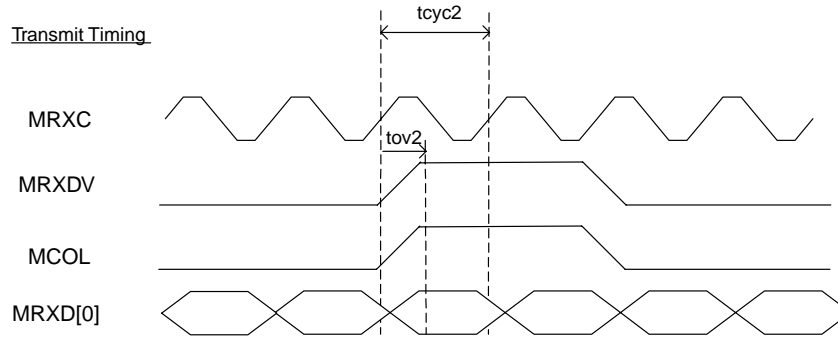


Figure 15. SNI Output Timing

Symbol	Parameter	Min	Typ	Max	Units
t_{CYC2}	Clock Cycle		100		ns
t_{S2}	Set-Up Time	10			ns
t_{H2}	Hold Time	0			ns
t_{O2}	Output Valid	0	3	6	ns

Table 18. SNI Timing Parameters

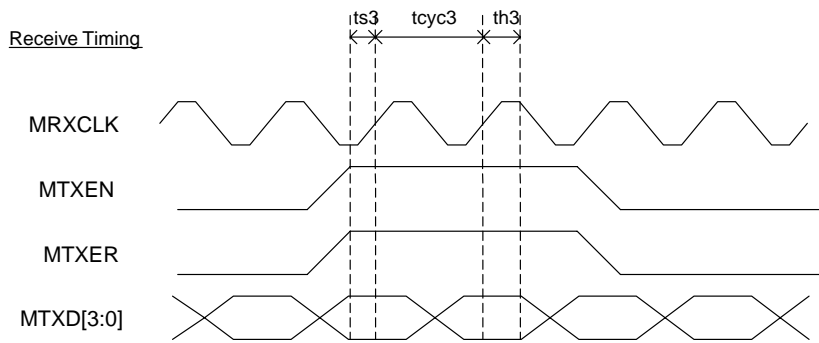


Figure 16. MAC Mode MII Timing – Data Received from MII

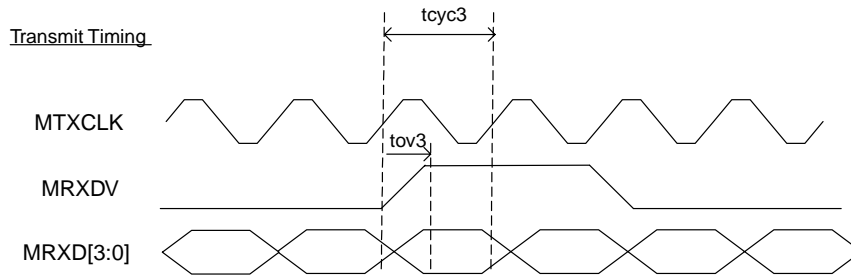


Figure 17. MAC Mode MII Timing – Data Transmitted from MII

Symbol	Parameter	Min	Typ	Max	Units
t_{CYC3}	Clock Cycle (100BaseT)		40		ns
t_{CYC3}	Clock Cycle (10BaseT)		400		ns
t_{S3}	Set-Up Time	10			ns
t_{H3}	Hold Time	5			ns
t_{OV3}	Output Valid	7	11	16	ns

Table 19. MAC Mode MII Timing Parameters

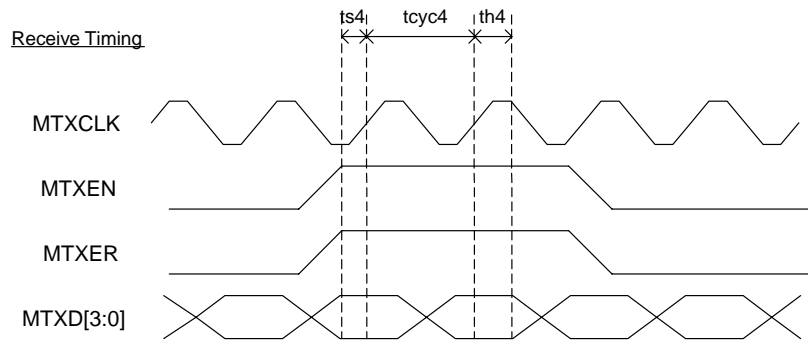


Figure 18. PHY Mode MII Timing – Data Received from MII

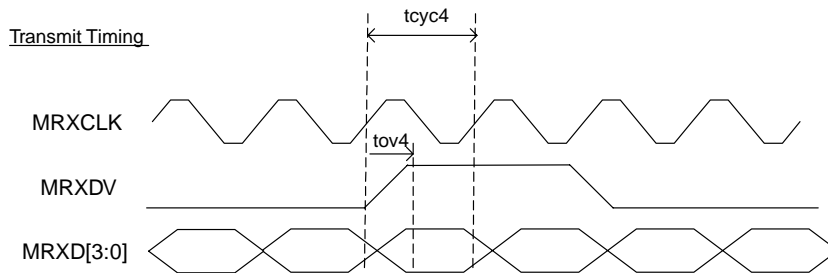


Figure 19. PHY Mode MII Timing – Data Transmitted from MII

Symbol	Parameter	Min	Typ	Max	Units
t_{CYC4}	Clock Cycle (100BaseT)		40		ns
t_{CYC4}	Clock Cycle (10BaseT)		400		ns
t_{S4}	Set-Up Time	10			ns
t_{H4}	Hold Time	0			ns
t_{OV4}	Output Valid	18	25	28	ns

Table 20. PHY Mode MII Timing Parameters

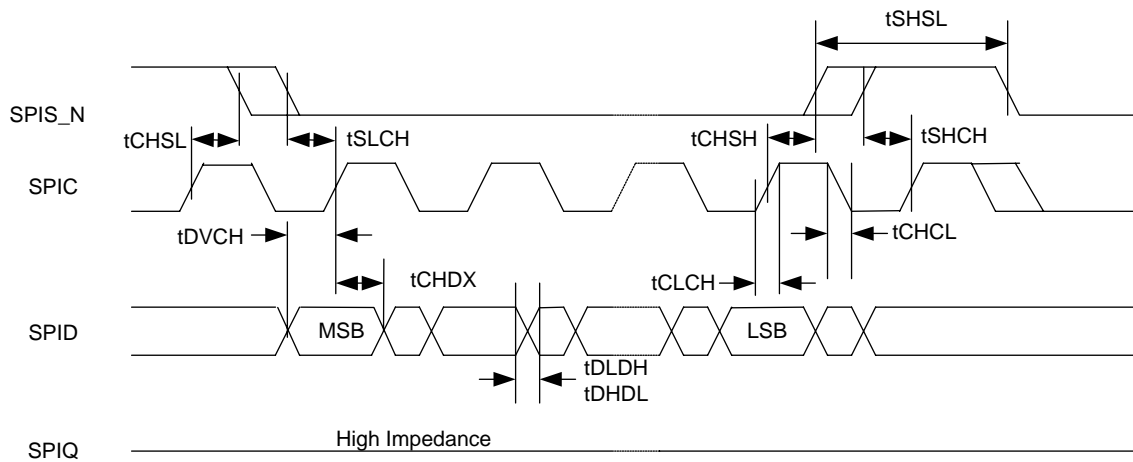


Figure 20. SPI Input Timing

Symbol	Parameter	Min	Typ	Max	Units
f_C	Clock Frequency			5	MHz
t_{CHSL}	SPIS_N Inactive Hold Time	90			ns
t_{SLCH}	SPIS_N Active Set-Up Time	90			ns
t_{CHSH}	SPIS_N Active Hold Time	90			ns
t_{SHCH}	SPIS_N Inactive Set-Up Time	90			ns
t_{SHSL}	SPIS_N Deselect Time	100			ns
t_{DVCH}	Data Input Set-Up Time	20			ns
t_{CHDX}	Data Input Hold Time	30			ns
t_{CLCH}	Clock Rise Time			1	μ s
t_{CHCL}	Clock Fall Time			1	μ s
t_{DLDH}	Data Input Rise Time			1	μ s
t_{DHDL}	Data Input Fall Time			1	μ s

Table 21. SPI Input Timing Parameters

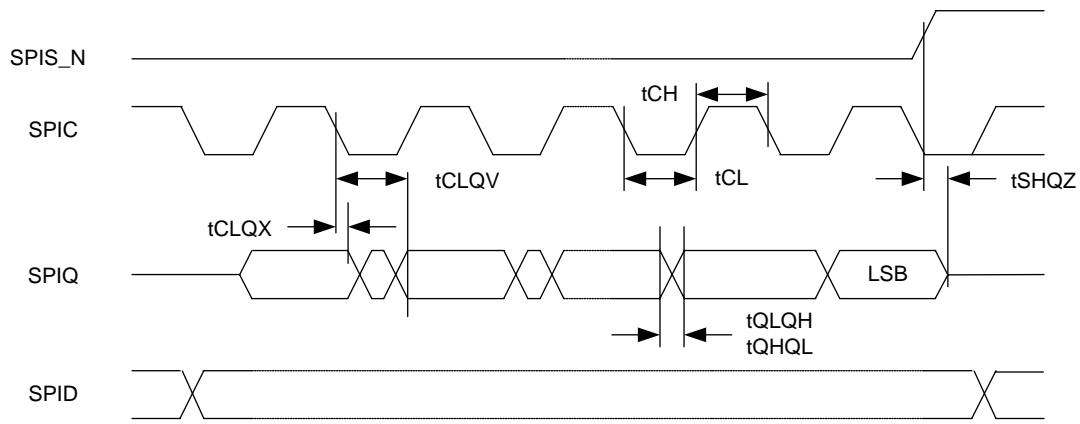


Figure 21. SPI Output Timing

Symbol	Parameter	Min	Typ	Max	Units
f_C	Clock Frequency			5	MHz
t_{CLQX}	SPIQ Hold Time	0		0	ns
t_{CLQV}	Clock Low to SPIQ Valid			60	ns
t_{CH}	Clock High Time	90			ns
t_{CL}	Clock Low Time	90			ns
t_{QLQH}	SPIQ Rise Time			50	ns
t_{QHQL}	SPIQ Fall Time			50	ns
t_{SHQZ}	SPIQ Disable Time			100	ns

Table 22. SPI Output Timing Parameters

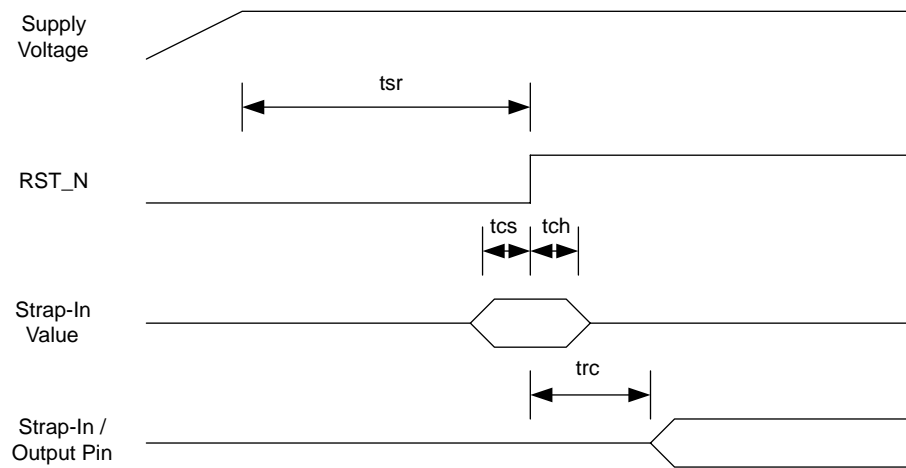


Figure 22. Reset Timing

Symbol	Parameter	Min	Typ	Max	Units
t_{SR}	Stable Supply Voltages to Reset High	10			ms
t_{CS}	Configuration Set-Up Time	50			ns
t_{CH}	Configuration Hold Time	50			ns
t_{RC}	Reset to Strap-In Pin Output	50			ns

Table 23. Reset Timing Parameters

Selection of Isolation Transformer⁽¹⁾

One simple 1:1 isolation transformer is needed at the line interface. An isolation transformer with integrated common-mode choke is recommended for exceeding FCC requirements. The following table gives recommended transformer characteristics.

Characteristics Name	Value	Test Condition
Turns Ratio	1 CT : 1 CT	
Open-Circuit Inductance (min.)	350 μ H	100mV, 100 KHz, 8mA
Leakage Inductance (max.)	0.4 μ H	1MHz (min.)
Inter-Winding Capacitance (max.)	12pF	
D.C. Resistance (max.)	0.9 Ω	
Insertion Loss (max.)	1.0dB	0MHz to 65MHz
HIPOT (min.)	1500Vrms	

Note:

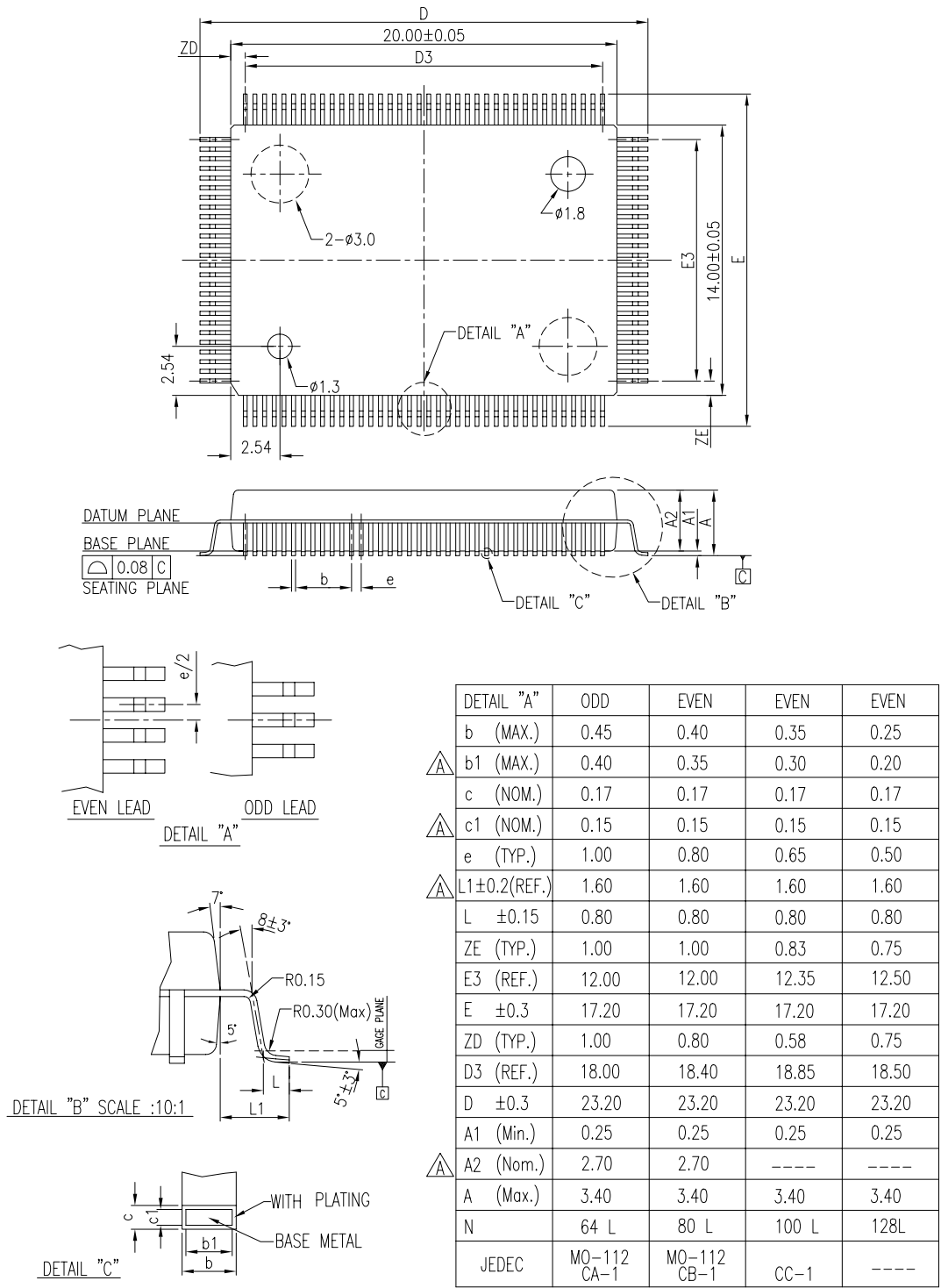
- The IEEE 802.3u standard for 100BaseTX assumes a transformer loss of 0.5dB. For the transmit line transformer, insertion loss of up to 1.3dB can be compensated by increasing the line drive current by means of reducing the ISET resistor value.

The following transformer vendors provide compatible magnetic parts for Micrel's device:

4-Port Integrated		Auto MDIX	Number of Ports	Single Port		Auto MDIX	Number of Ports
Vendor	Part			Vendor	Part		
Pulse	H1164	Yes	4	Pulse	H1102	Yes	1
Bel Fuse	558-5999-Q9	Yes	4	Bel Fuse	S558-5999-U7	Yes	1
YCL	PH406466	Yes	4	YCL	PT163020	Yes	1
Transpower	HB826-2	Yes	4	Transpower	HB726	Yes	1
Delta	LF8731	Yes	4	Delta	LF8505	Yes	1
LanKom	SQ-H48W	Yes	4	LanKom	LF-H41S	Yes	1

Table 24. Qualified Magnetics Lists

Package Information



128-Pin PQFP (PQ)

MICREL, INC. 1849 FORTUNE DRIVE SAN JOSE, CA 95131 USA

TEL + 1 (408) 944-0800 FAX + 1 (408) 944-0970 WEB <http://www.micrel.com>

The information furnished by Micrel in this data sheet is believed to be accurate and reliable. However, no responsibility is assumed by Micrel for its use. Micrel reserves the right to change circuitry and specifications at any time without notification to the customer.

Micrel Products are not designed or authorized for use as components in life support appliances, devices or systems where malfunction of a product can reasonably be expected to result in personal injury. Life support devices or systems are devices or systems that (a) are intended for surgical implant into the body or (b) support or sustain life, and whose failure to perform can be reasonably expected to result in a significant injury to the user. A Purchaser's use or sale of Micrel Products for use in life support appliances, devices or systems is at Purchaser's own risk and Purchaser agrees to fully indemnify Micrel for any damages resulting from such use or sale.

© 2003 Micrel, Incorporated.