



# Dual, 8-Bit, Low-Power, 2-Wire, Serial Voltage-Output DAC

MAX5820

## General Description

The MAX5820 is a dual, 8-bit voltage-output, digital-to-analog converter (DAC) with an I<sup>2</sup>C\*-compatible, 2-wire interface that operates at clock rates up to 400kHz. The device operates from a single 2.7V to 5.5V supply (115µA at V<sub>DD</sub> = 3.6V). A power-down mode decreases current consumption to less than 1µA. The MAX5820 features three software-selectable power-down output impedances: 100kΩ, 1kΩ, and high impedance. Other features include internal precision rail-to-rail output buffers and a power-on reset (POR) circuit that powers up the DAC in the 100kΩ power-down mode.

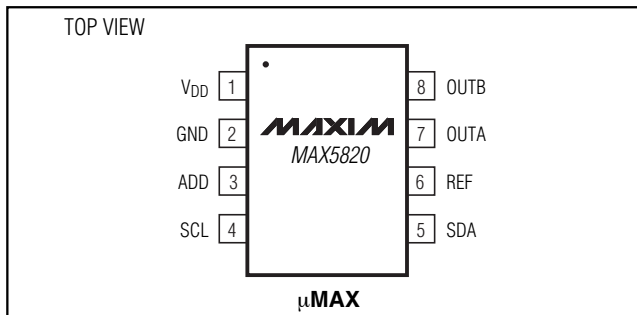
The MAX5820 features a double-buffered I<sup>2</sup>C-compatible serial interface that allows multiple devices to share a single bus. All logic inputs are CMOS-logic compatible and buffered with Schmitt triggers, allowing direct interfacing to optocoupled and transformer-isolated interfaces. The MAX5820 minimizes digital noise feedthrough by disconnecting the clock (SCL) signal from the rest of the device when an address mismatch is detected.

The MAX5820 is specified over the extended (-40°C to +85°C) temperature range and is available in a small 8-pin µMAX<sup>®</sup> package. Refer to the MAX5822 data sheet for the 12-bit version and to the MAX5821 data sheet for a 10-bit version.

## Applications

- Digital Gain and Offset Adjustments
- Programmable Voltage and Current Sources
- Programmable Attenuation
- VCO/Varactor Diode Control
- Low-Cost Instrumentation
- Battery-Operated Instrumentation

## Pin Configuration



µMAX is a registered trademark of Maxim Integrated Products, Inc.

\*Purchase of I<sup>2</sup>C components from Maxim Integrated Products, Inc., or one of its sublicensed Associate Companies, conveys a license under the Philips I<sup>2</sup>C Patent Rights to use these components in an I<sup>2</sup>C system, provided that the system conforms to the I<sup>2</sup>C Standard Specification defined by Philips.

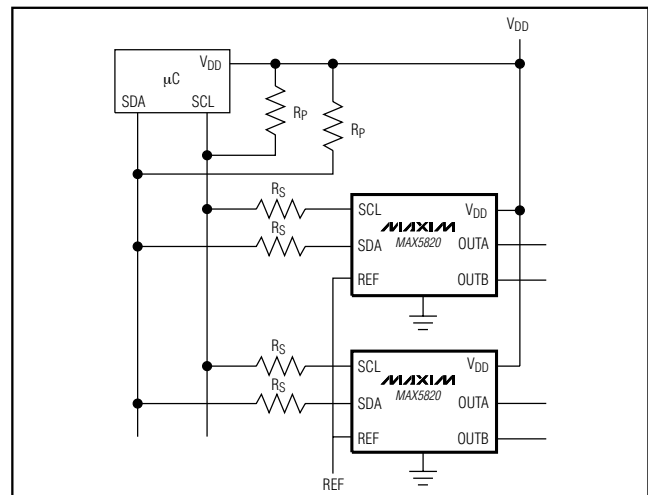
## Features

- ◆ Ultra-Low Supply Current
  - 115µA at V<sub>DD</sub> = 3.6V
  - 135µA at V<sub>DD</sub> = 5.5V
- ◆ 300nA Low-Power Power-Down Mode
- ◆ Single 2.7V to 5.5V Supply Voltage
- ◆ Fast 400kHz I<sup>2</sup>C-Compatible 2-Wire Serial Interface
- ◆ Schmitt-Trigger Inputs for Direct Interfacing to Optocouplers
- ◆ Rail-to-Rail Output Buffer Amplifiers
- ◆ Three Software-Selectable Power-Down Output Impedances
  - 100kΩ, 1kΩ, and High Impedance
- ◆ Readback Mode for Bus and Data Checking
- ◆ Power-On Reset to Zero
- ◆ 8-Pin µMAX Package

## Ordering Information

| PART        | TEMP RANGE     | PIN-PACKAGE | ADDRESS  |
|-------------|----------------|-------------|----------|
| MAX5820LEUA | -40°C to +85°C | 8 µMAX      | 0111 00X |
| MAX5820MEUA | -40°C to +85°C | 8 µMAX      | 1011 00X |

## Typical Operating Circuit



# Dual, 8-Bit, Low-Power, 2-Wire, Serial Voltage-Output DAC

## ABSOLUTE MAXIMUM RATINGS

|   |                                 |
|---|---------------------------------|
| V <sub>DD</sub> , SCL, SDA to GND .....               | -0.3V to +6V                    |
| OUT <sub>-</sub> , REF, ADD to GND.....               | -0.3V to V <sub>DD</sub> + 0.3V |
| Maximum Current into Any Pin.....                     | 50mA                            |
| Continuous Power Dissipation (T <sub>A</sub> = +70°C) |                                 |
| 8-Pin $\mu$ MAX (derate 4.5mW above +70°C) .....      | 362mW                           |

|   |                 |
|---|-----------------|
| Operating Temperature Range .....       | -40°C to +85°C  |
| Storage Temperature Range .....         | -65°C to +150°C |
| Maximum Junction Temperature .....      | +150°C          |
| Lead Temperature (soldering, 10s) ..... | +300°C          |

Stresses beyond those listed under "Absolute Maximum Ratings" may cause permanent damage to the device. These are stress ratings only, and functional operation of the device at these or any other conditions beyond those indicated in the operational sections of the specifications is not implied. Exposure to absolute maximum rating conditions for extended periods may affect device reliability.

## ELECTRICAL CHARACTERISTICS

(V<sub>DD</sub> = +2.7V to +5.5V, GND = 0, V<sub>REF</sub> = V<sub>DD</sub>, R<sub>L</sub> = 5k $\Omega$ , C<sub>L</sub> = 200pF, T<sub>A</sub> = T<sub>MIN</sub> to T<sub>MAX</sub>, unless otherwise noted. Typical values are at V<sub>DD</sub> = +5V, T<sub>A</sub> = +25°C.) (Note 1)

| PARAMETER                        | SYMBOL           | CONDITIONS   | MIN                   | TYP       | MAX                   | UNITS      |
|----------------------------------|------------------|--|-----------------------|-----------|-----------------------|------------|
| <b>STATIC ACCURACY (NOTE 2)</b>  |                  |  |                       |           |                       |            |
| Resolution                       | N                |  | 8                     |           |                       | Bits       |
| Integral Nonlinearity            | INL              | (Note 3)   |                       | $\pm 0.5$ | $\pm 1$               | LSB        |
| Differential Nonlinearity        | DNL              | Guaranteed monotonic (Note 2)  |                       |           | $\pm 0.5$             | LSB        |
| Zero-Code Error                  | ZCE              | Code = 00 hex, V <sub>DD</sub> = 2.7V  |                       | 6         | 40                    | mV         |
| Zero-Code Error Tempco           |                  |  |                       | 2.3       |                       | ppm/°C     |
| Gain Error                       | GE               | Code = FF hex  |                       | -0.8      | -3                    | %FSR       |
| Gain-Error Tempco                |                  |  |                       | 0.26      |                       | ppm/°C     |
| Power-Supply Rejection Ratio     | PSRR             | Code = FF hex, V <sub>DD</sub> = 4.5V to 5.5V  |                       | 58.8      |                       | dB         |
| DC Crosstalk                     |                  |  |                       | 30        |                       | $\mu$ V    |
| <b>REFERENCE INPUT</b>           |                  |  |                       |           |                       |            |
| Reference Input Voltage Range    | V <sub>REF</sub> |  | 0                     |           | V <sub>DD</sub>       | V          |
| Reference Input Impedance        |                  |  | 65                    | 90        |                       | k $\Omega$ |
| Reference Current                |                  | Power-down mode  |                       | 0.3       | 1                     | $\mu$ A    |
| <b>DAC OUTPUT</b>                |                  |  |                       |           |                       |            |
| Output Voltage Range             |                  | No load (Note 4)   | 0                     |           | V <sub>DD</sub>       | V          |
| DC Output Impedance              |                  | Code = 80 hex  |                       | 1.2       |                       | $\Omega$   |
| Short-Circuit Current            |                  | V <sub>DD</sub> = 5V, V <sub>OUT</sub> = full scale (short to GND)                                   |                       | 42.2      |                       | mA         |
|                                  |                  | V <sub>DD</sub> = 3V, V <sub>OUT</sub> = full scale (short to GND)                                   |                       | 15.1      |                       |            |
| Wake-Up Time                     |                  | V <sub>DD</sub> = 5V   |                       | 8         |                       | $\mu$ s    |
|                                  |                  | V <sub>DD</sub> = 3V   |                       | 8         |                       |            |
| DAC Output Leakage Current       |                  | Power-down mode = high impedance, V <sub>DD</sub> = 5.5V, V <sub>OUT-</sub> = V <sub>DD</sub> to GND |                       | $\pm 0.1$ | $\pm 1$               | $\mu$ A    |
| <b>DIGITAL INPUTS (SCL, SDA)</b> |                  |  |                       |           |                       |            |
| Input High Voltage               | V <sub>IH</sub>  |  | 0.7 x V <sub>DD</sub> |           |                       | V          |
| Input Low Voltage                | V <sub>IL</sub>  |  |                       |           | 0.3 x V <sub>DD</sub> | V          |

# Dual, 8-Bit, Low-Power, 2-Wire, Serial Voltage-Output DAC

MAX5820

## ELECTRICAL CHARACTERISTICS (continued)

(V<sub>DD</sub> = +2.7V to +5.5V, GND = 0, V<sub>REF</sub> = V<sub>DD</sub>, R<sub>L</sub> = 5kΩ, C<sub>L</sub> = 200pF, T<sub>A</sub> = T<sub>MIN</sub> to T<sub>MAX</sub>, unless otherwise noted. Typical values are at V<sub>DD</sub> = +5V, T<sub>A</sub> = +25°C.) (Note 1)

| PARAMETER                                       | SYMBOL              | CONDITIONS  | MIN                    | TYP  | MAX | UNITS |
|---|---------------------|---|------------------------|------|-----|-------|
| Input Hysteresis                                |                     |   | 0.05 x V <sub>DD</sub> |      |     | V     |
| Input Leakage Current                           |                     | Digital inputs = 0 or V <sub>DD</sub>                                 |                        | ±0.1 | ±1  | μA    |
| Input Capacitance                               |                     |   |                        | 6    |     | pF    |
| <b>DIGITAL OUTPUT (SDA)</b>                     |                     |   |                        |      |     |       |
| Output Logic-Low Voltage                        | V <sub>OL</sub>     | I <sub>SINK</sub> = 3mA   |                        |      | 0.4 | V     |
| Tri-State Leakage Current                       | I <sub>L</sub>      | Digital inputs = 0 or V <sub>DD</sub>                                 |                        | ±0.1 | ±1  | μA    |
| Tri-State Output Capacitance                    |                     |   |                        | 6    |     | pF    |
| <b>DYNAMIC PERFORMANCE</b>                      |                     |   |                        |      |     |       |
| Voltage-Output Slew Rate                        | SR                  |   |                        | 0.5  |     | V/μs  |
| Voltage-Output Settling Time                    |                     | To 0.5 LSB code 40 hex to C0 hex or C0 hex to 40 hex (Note 5)         |                        | 4    | 12  | μs    |
| Digital Feedthrough                             |                     | Code = 00 hex, digital inputs from 0 to V <sub>DD</sub>               |                        | 0.2  |     | nV-s  |
| Digital-to-Analog Glitch Impulse                |                     | Major carry transition (code = 7F hex to 80 hex and 80 hex to 7F hex) |                        | 12   |     | nV-s  |
| DAC-to-DAC Crosstalk                            |                     |   |                        | 2.4  |     | nV-s  |
| <b>POWER SUPPLIES</b>                           |                     |   |                        |      |     |       |
| Supply Voltage Range                            | V <sub>DD</sub>     |   | 2.7                    |      | 5.5 | V     |
| Supply Current with No Load                     | I <sub>DD</sub>     | All digital inputs at 0 or V <sub>DD</sub> = 3.6V                     |                        | 115  | 205 | μA    |
|   |                     | All digital inputs at 0 or V <sub>DD</sub> = 5.5V                     |                        | 135  | 215 |       |
| Power-Down Supply Current                       | I <sub>DDPD</sub>   | All digital inputs at 0 or V <sub>DD</sub> = 5.5V                     |                        | 0.3  | 1   | μA    |
| <b>TIMING CHARACTERISTICS (FIGURE 1)</b>        |                     |   |                        |      |     |       |
| Serial Clock Frequency                          | f <sub>SCL</sub>    |   | 0                      |      | 400 | kHz   |
| Bus Free Time Between STOP and START Conditions | t <sub>BUF</sub>    |   | 1.3                    |      |     | μs    |
| START Condition Hold Time                       | t <sub>HD,STA</sub> |   | 0.6                    |      |     | μs    |
| SCL Pulse-Width Low                             | t <sub>LOW</sub>    |   | 1.3                    |      |     | μs    |
| SCL Pulse-Width High                            | t <sub>HIGH</sub>   |   | 0.6                    |      |     | μs    |
| Repeated START Setup Time                       | t <sub>SU,STA</sub> |   | 0.6                    |      |     | μs    |
| Data Hold Time                                  | t <sub>HD,DAT</sub> |   | 0                      |      | 0.9 | μs    |
| Data Setup Time                                 | t <sub>SU,DAT</sub> |   | 100                    |      |     | ns    |
| SDA and SCL Receiving Rise Time                 | t <sub>r</sub>      | (Note 5)  | 0                      |      | 300 | ns    |
| SDA and SCL Receiving Fall Time                 | t <sub>f</sub>      | (Note 5)  | 0                      |      | 300 | ns    |
| SDA Transmitting Fall Time                      | t <sub>f</sub>      | (Note 5)  | 20 + 0.1C <sub>b</sub> |      | 250 | ns    |

# Dual, 8-Bit, Low-Power, 2-Wire, Serial Voltage-Output DAC

## ELECTRICAL CHARACTERISTICS (continued)

( $V_{DD} = +2.7V$  to  $+5.5V$ ,  $GND = 0$ ,  $V_{REF} = V_{DD}$ ,  $R_L = 5k\Omega$ ,  $C_L = 200pF$ ,  $T_A = T_{MIN}$  to  $T_{MAX}$ , unless otherwise noted. Typical values are at  $V_{DD} = +5V$ ,  $T_A = +25^\circ C$ .) (Note 1)

| PARAMETER                                   | SYMBOL       | CONDITIONS | MIN | TYP | MAX | UNITS   |
|---|--------------|------------|-----|-----|-----|---------|
| STOP Condition Setup Time                   | $t_{SU,STO}$ |            | 0.6 |     |     | $\mu s$ |
| Bus Capacitance                             | $C_b$        | (Note 5)   |     |     | 400 | pF      |
| Maximum Duration of Suppressed Pulse Widths | $t_{SP}$     |            | 0   |     | 50  | ns      |

**Note 1:** All devices are 100% production tested at  $T_A = +25^\circ C$  and are guaranteed by design for  $T_A = T_{MIN}$  to  $T_{MAX}$ .

**Note 2:** Static specifications are tested with the output unloaded.

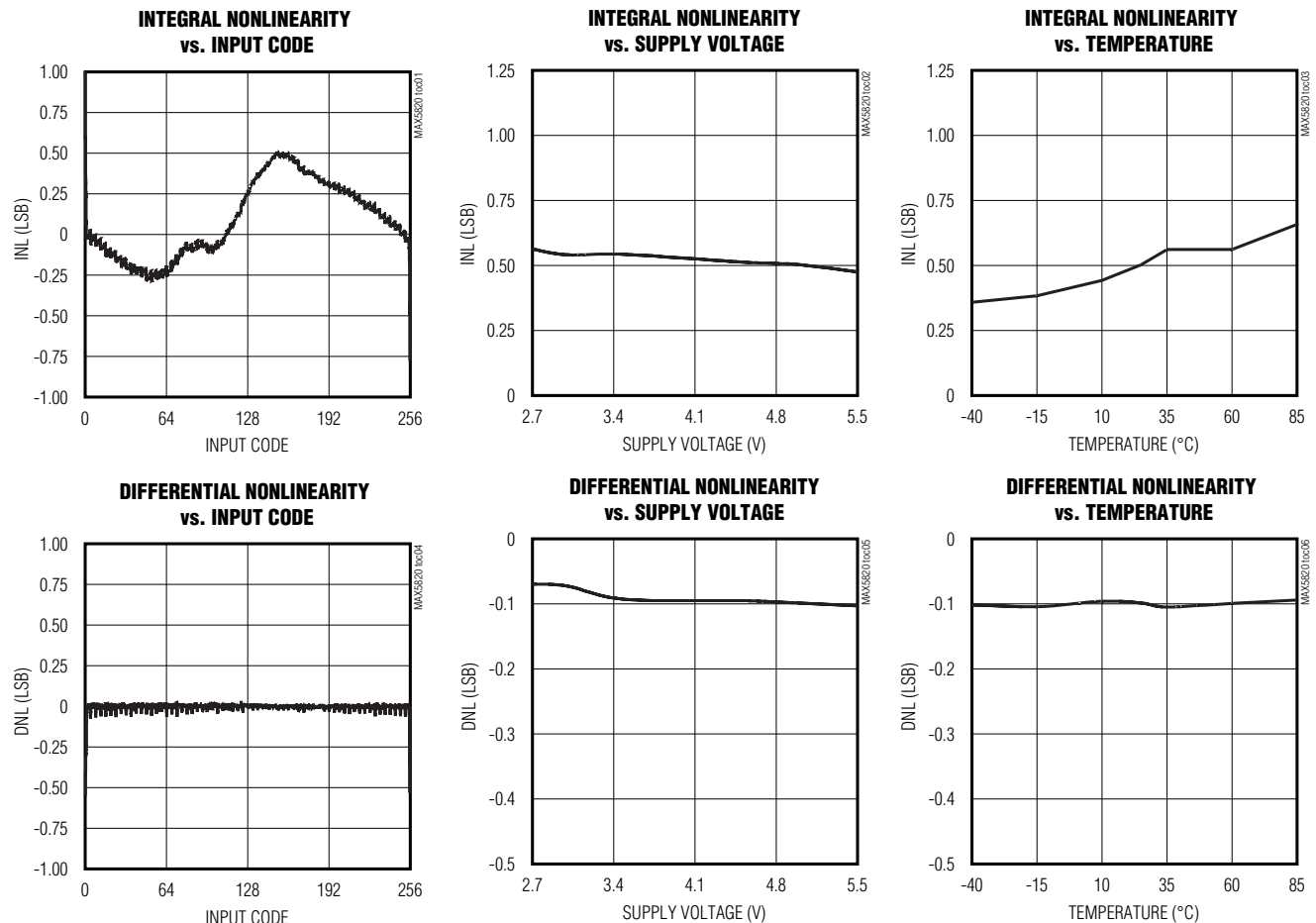
**Note 3:** Linearity is guaranteed from codes 7 to 248.

**Note 4:** Offset and gain error limit the FSR.

**Note 5:** Guaranteed by design. Not production tested.

## Typical Operating Characteristics

( $V_{DD} = +5V$ ,  $R_L = 5k\Omega$ ,  $T_A = +25^\circ C$ .)

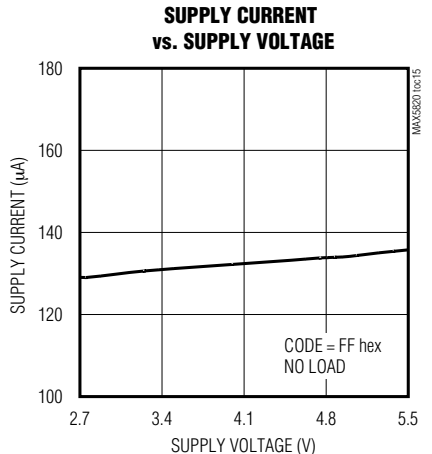
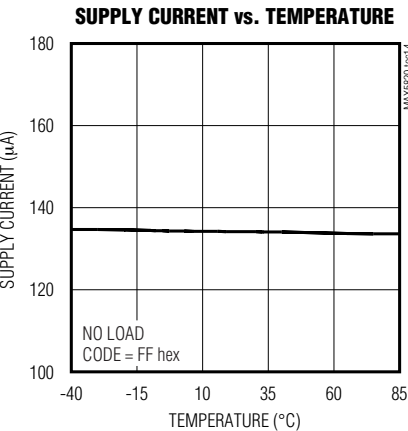
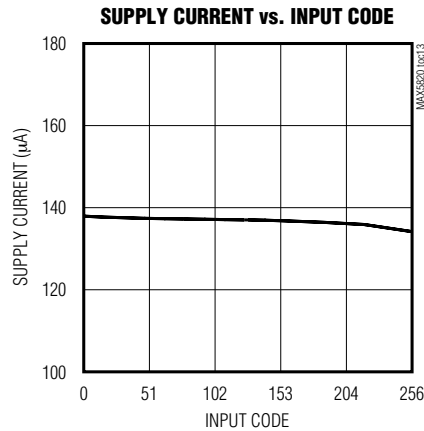
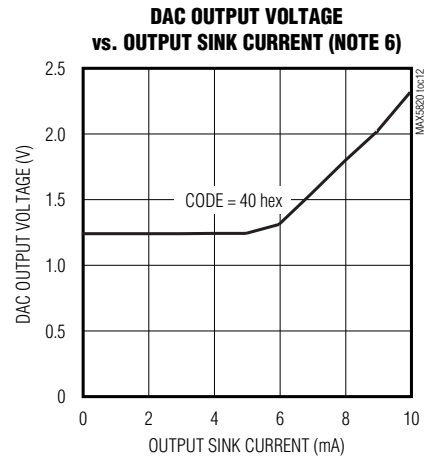
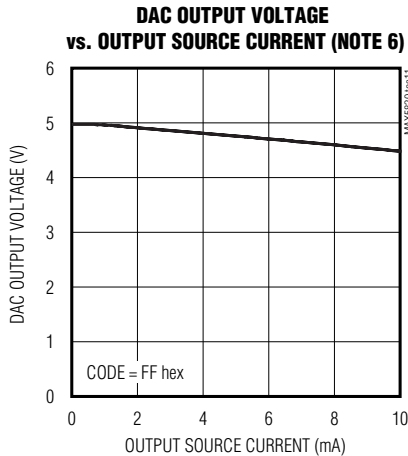
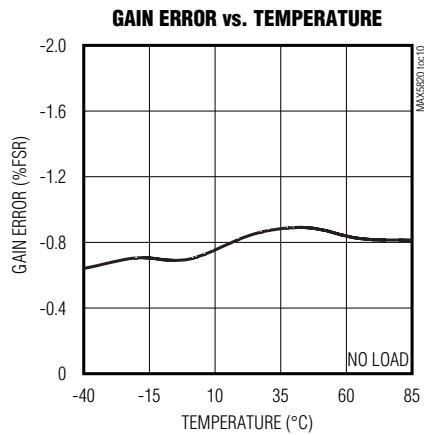
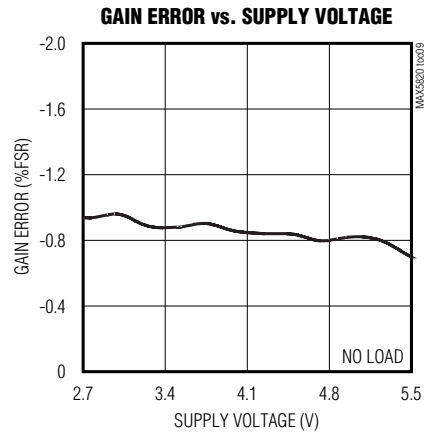
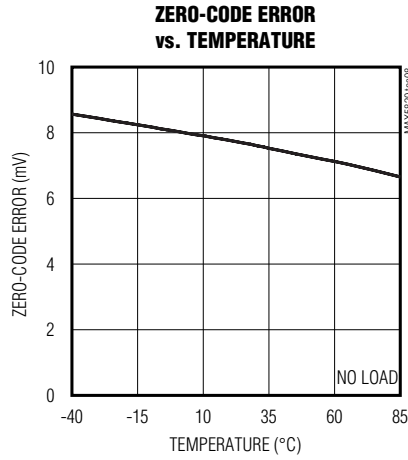
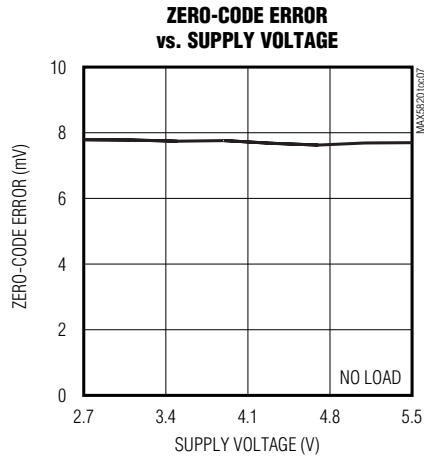


# Dual, 8-Bit, Low-Power, 2-Wire, Serial Voltage-Output DAC

MAX5820

## Typical Operating Characteristics (continued)

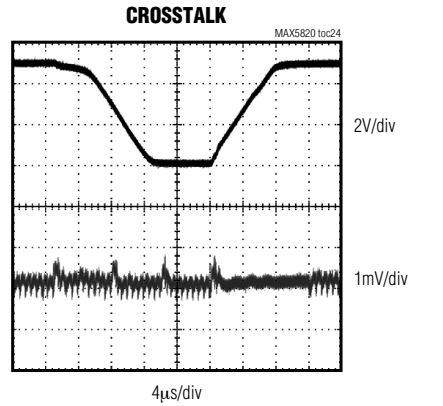
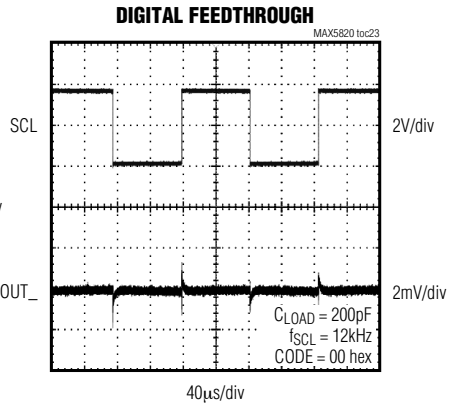
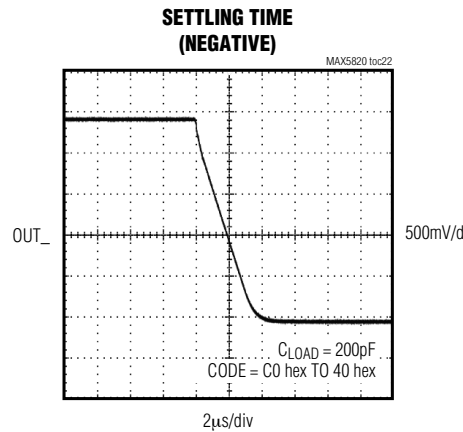
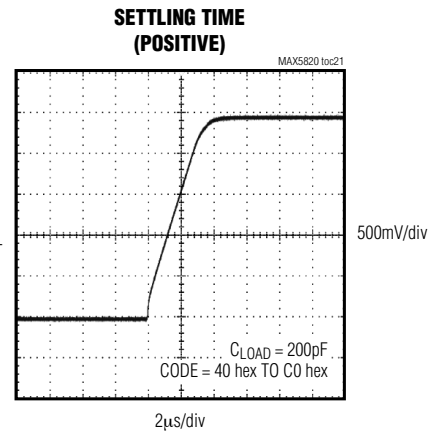
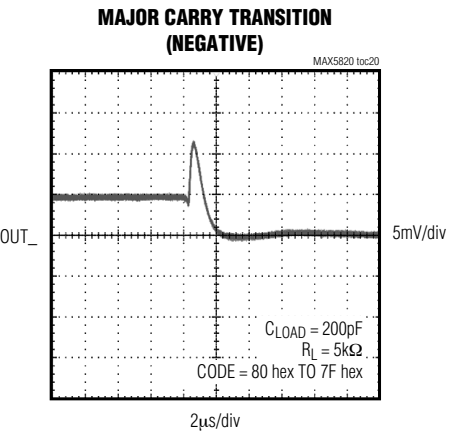
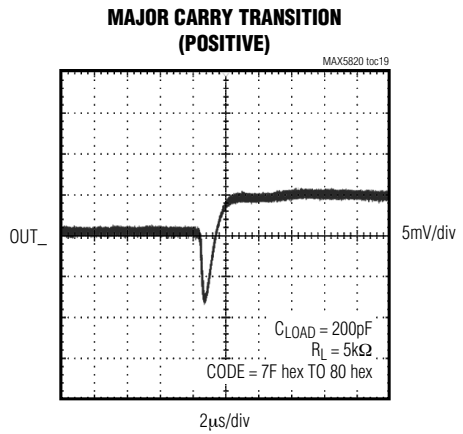
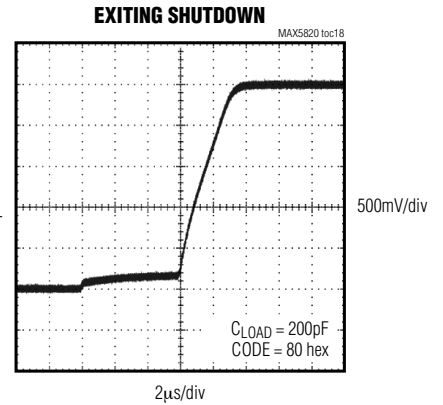
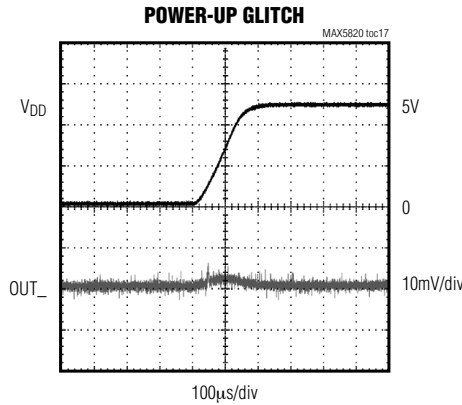
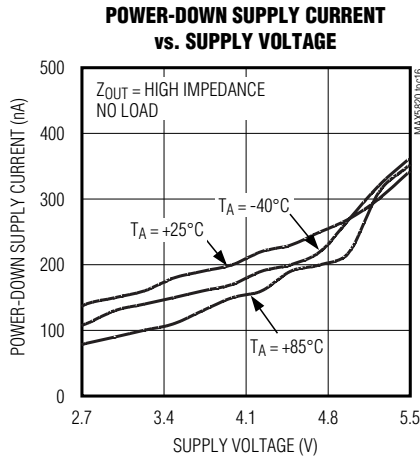
( $V_{DD} = +5V$ ,  $R_L = 5k\Omega$ ,  $T_A = +25^\circ C$ .)



# Dual, 8-Bit, Low-Power, 2-Wire, Serial Voltage-Output DAC

## Typical Operating Characteristics (continued)

( $V_{DD} = +5V$ ,  $R_L = 5k\Omega$ ,  $T_A = +25^\circ C$ .)



**Note 6:** The ability to drive loads greater than  $5k\Omega$  is not implied.

# Dual, 8-Bit, Low-Power, 2-Wire, Serial Voltage-Output DAC

MAX5820

## Pin Description

| PIN | NAME            | FUNCTION  |
|-----|-----------------|---|
| 1   | V <sub>DD</sub> | Power Supply  |
| 2   | GND             | Ground  |
| 3   | ADD             | Address Select. A logic-high sets the address LSB to 1; a logic-low sets the address LSB to zero. |
| 4   | SCL             | Serial Clock Input  |
| 5   | SDA             | Bidirectional Serial Data Interface   |
| 6   | REF             | Reference Input   |
| 7   | OUTA            | DAC A Output  |
| 8   | OUTB            | DAC B Output  |

## Detailed Description

The MAX5820 is a dual, 8-bit, voltage-output DAC with an I<sup>2</sup>C/SMBus™-compatible 2-wire interface. The device consists of a serial interface, power-down circuitry, dual input and DAC registers, two 8-bit resistor string DACs, two unity-gain output buffers, and output resistor networks. The serial interface decodes the address and control bits, routing the data to the proper input or DAC register. Data can be directly written to the DAC register, immediately updating the device output, or can be written to the input register without changing the DAC output. Both registers retain data as long as the device is powered.

### DAC Operation

The MAX5820 uses a segmented resistor string DAC architecture, which saves power in the overall system and guarantees output monotonicity. The MAX5820's input coding is straight binary, with the output voltage given by the following equation:

$$V_{OUT} = \frac{V_{REF} \times D}{2^N}$$

where N = 8 (bits) and D = the decimal value of the input code (0 to 255).

### Output Buffer

The MAX5820 analog outputs are buffered by precision, unity-gain followers that slew 0.5V/μs. Each buffer output swings rail-to-rail, and is capable of driving 5kΩ in parallel with 200pF. The output settles to ±0.5 LSB within 4μs.

### Power-On Reset

The MAX5820 features an internal POR circuit that initializes the device upon power-up. The DAC registers are set to zero scale and the device is powered down, with the output buffers disabled and the outputs pulled

*SMBus is a trademark of Intel Corporation.*

to GND through the 100kΩ termination resistor. Following power-up, a wake-up command must be initiated before any conversions are performed.

### Power-Down Modes

The MAX5820 has three software-controlled low-power power-down modes. All three modes disable the output buffers and disconnect the DAC resistor strings from REF, reducing supply current draw to 1μA and the reference current draw to less than 1μA. In power-down mode 0, the device output is high impedance. In power-down mode 1, the device output is internally pulled to GND by a 1kΩ termination resistor. In power-down mode 2, the device output is internally pulled to GND by a 100kΩ termination resistor. Table 1 shows the power-down mode command words.

Upon wake-up, the DAC output is restored to its previous value. Data is retained in the input and DAC registers during power-down mode.

### Digital Interface

The MAX5820 features an I<sup>2</sup>C/SMBus-compatible 2-wire interface consisting of a serial data line (SDA) and a serial clock line (SCL). The MAX5820 is SMBus compatible within the range of V<sub>DD</sub> = 2.7V to 3.6V. SDA and SCL facilitate bidirectional communication between the MAX5820 and the master at rates up to 400kHz. Figure 1 shows the 2-wire interface timing diagram. The MAX5820 is a transmit/receive slave-only device, relying upon a master to generate a clock signal. The master (typically a microcontroller) initiates data transfer on the bus and generates SCL to permit that transfer.

A master device communicates to the MAX5820 by transmitting the proper address followed by command and/or data words. Each transmit sequence is framed by a START (S) or REPEATED START (S<sub>r</sub>) condition and a STOP (P) condition. Each word transmitted over the bus is 8 bits long and is always followed by an acknowledge clock pulse.

# Dual, 8-Bit, Low-Power, 2-Wire, Serial Voltage-Output DAC

**Table 1. Power-Down Command Bits**

| POWER-DOWN COMMAND BITS |     | MODE/FUNCTION  |
|-------------------------|-----|--|
| PD1                     | PD0 |  |
| 0                       | 0   | Power-up device. DAC output restored to previous value.                        |
| 0                       | 1   | Power-down mode 0. Power down device with output floating.                     |
| 1                       | 0   | Power-down mode 1. Power down device with output terminated with 1kΩ to GND.   |
| 1                       | 1   | Power-down mode 2. Power down device with output terminated with 100kΩ to GND. |

The MAX5820 SDA and SCL drivers are open-drain outputs, requiring a pullup resistor to generate a logic high voltage (see the *Typical Operating Circuit*). Series resistors  $R_S$  are optional. These series resistors protect the input stages of the MAX5820 from high-voltage spikes on the bus lines, and minimize crosstalk and undershoot of the bus signals.

### Bit Transfer

One data bit is transferred during each SCL clock cycle. The data on SDA must remain stable during the high period of the SCL clock pulse. Changes in SDA while SCL is high are control signals (see the *START and STOP Conditions* section). Both SDA and SCL idle high when the I<sup>2</sup>C bus is not busy.

### START and STOP Conditions

When the serial interface is inactive, SDA and SCL idle high. A master device initiates communication by issuing a START condition. A START condition is a high-to-low transition on SDA with SCL high. A STOP condition is a low-to-high transition on SDA, while SCL is high (Figure 2). A START condition from the master signals the beginning of a transmission to the MAX5820. The master terminates transmission by issuing a not acknowledge followed by a STOP condition (see the *Acknowledge Bit (ACK)* section). The STOP condition frees the bus. If a repeated START condition ( $S_r$ ) is generated instead of a STOP condition, the bus remains active. When a STOP condition or incorrect address is detected, the MAX5820 internally disconnects SCL from the serial interface until the next START condition, minimizing digital noise and feedthrough.

### Early STOP Conditions

The MAX5820 recognizes a STOP condition at any point during transmission except if a STOP condition occurs in the same high pulse as a START condition (Figure 3). This condition is not a legal I<sup>2</sup>C format; at least one clock pulse must separate any START and STOP conditions.

### Repeated START Conditions

A repeated START ( $S_r$ ) condition may indicate a change of data direction on the bus. Such a change occurs when a command word is required to initiate a read operation.  $S_r$  may also be used when the bus master is writing to several I<sup>2</sup>C devices and does not want to relinquish control of the bus. The MAX5820 serial interface supports continuous write operations with or without an  $S_r$  condition separating them. Continuous read operations require  $S_r$  conditions because of the change in direction of data flow.

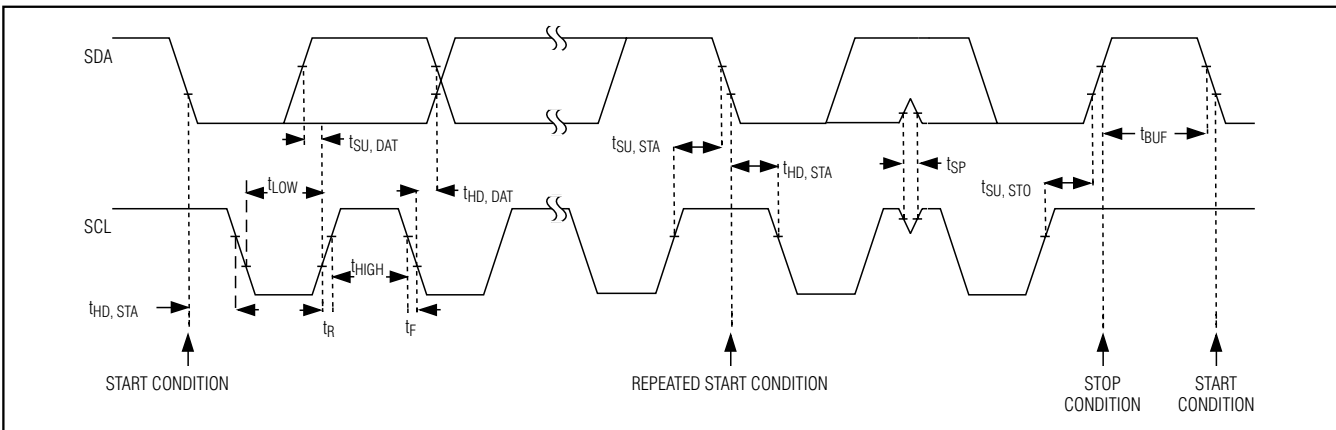


Figure 1. 2-Wire Serial-Interface Timing Diagram



# Dual, 8-Bit, Low-Power, 2-Wire, Serial Voltage-Output DAC

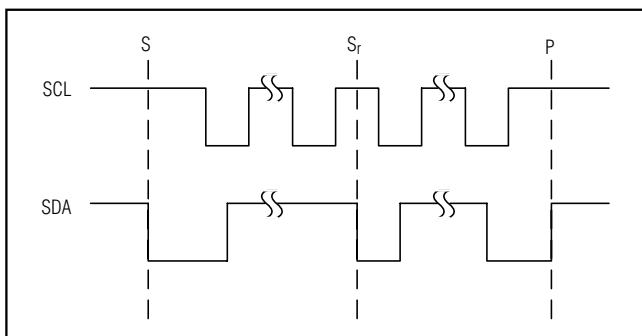


Figure 2. START and STOP Conditions

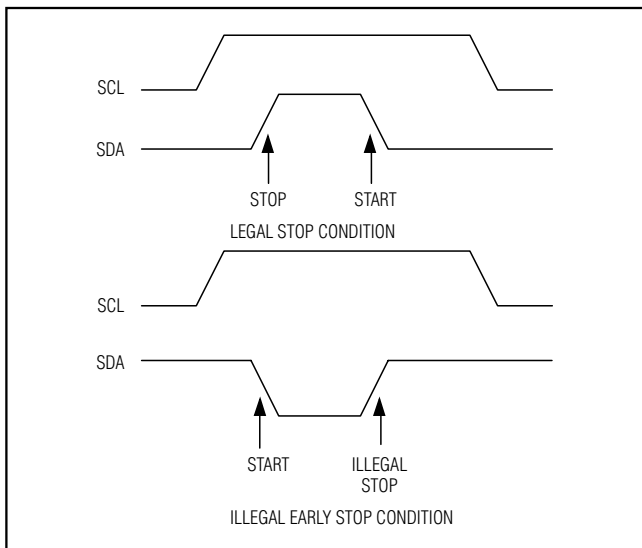


Figure 3. Early STOP Conditions

### Acknowledge Bit (ACK)

The acknowledge bit (ACK) is the ninth bit attached to any 8-bit data word. ACK is always generated by the receiving device. The MAX5820 generates an ACK when receiving an address or data by pulling SDA low during the ninth clock period. When transmitting data, the MAX5820 waits for the receiving device to generate an ACK. Monitoring ACK allows for detection of unsuccessful data transfers. An unsuccessful data transfer occurs if a receiving device is busy or if a system fault has occurred. In the event of an unsuccessful data transfer, the bus master should reattempt communication at a later time.

### Slave Address

A bus master initiates communication with a slave device by issuing a START condition followed by the 7-bit slave address (Figure 4). When idle, the MAX5820

waits for a START condition followed by its slave address. The serial interface compares each address value bit-by-bit, allowing the interface to power down immediately if an incorrect address is detected. The LSB of the address word is the Read/Write (R/W) bit. R/W indicates whether the master is writing to or reading from the MAX5820 (R/W = 0 selects the write condition, R/W = 1 selects the read condition). After receiving the proper address, the MAX5820 issues an ACK by pulling SDA low for one clock cycle.

The MAX5820 has four different factory/user-programmed addresses (Table 2). Address bits A6 through A1 are preset, while A0 is controlled by ADD. Connecting ADD to GND sets A0 = 0. Connecting ADD to V<sub>DD</sub> sets A0 = 1. This feature allows up to four MAX5820s to share the same bus.

Table 2. MAX5820 I<sup>2</sup>C Slave Addresses

| PART     | V <sub>ADD</sub> | DEVICE ADDRESS (A6-A0) |
|----------|------------------|------------------------|
| MAX5820L | GND              | 0111 000               |
| MAX5820L | V <sub>DD</sub>  | 0111 001               |
| MAX5820M | GND              | 1011 000               |
| MAX5820M | V <sub>DD</sub>  | 1011 001               |

### Write Data Format

In write mode (R/W = 0), data that follows the address byte controls the MAX5820 (Figure 5). Bits C3–C0 configure the MAX5820 (Table 3). Bits D7–D0 are DAC data. Bits S3–S0 are sub-bits and are always 0. Input and DAC registers update on the falling edge of SCL during the acknowledge bit. Should the write cycle be prematurely aborted, data is not updated and the write cycle must be repeated. Figure 6 shows two example-write data sequences.

### Extended Command Mode

The MAX5820 features an extended command mode that is accessed by setting C3–C0 = 1 and D7–D4 = 0.

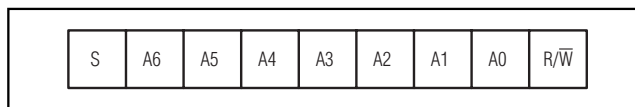


Figure 4. Slave-Address Byte Definition

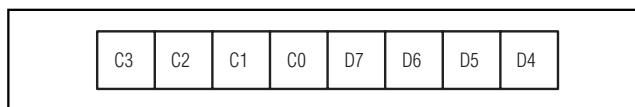


Figure 5. Command-Byte Definition

# Dual, 8-Bit, Low-Power, 2-Wire, Serial Voltage-Output DAC



Figure 6. Example-Write Command Sequences

The next command word writes to the power-down registers (Figure 7). Setting bits A or B to 1 sets that DAC to the selected power-down mode based on the states of PD0 and PD1 (Table 1). Any combination of the DACs can be controlled with a single write sequence.

### Read Data Format

In read mode ( $R/\bar{W} = 1$ ), the MAX5820 writes the contents of the DAC register to the bus. The direction of data flow reverses following the address acknowledge by the MAX5820. The device transmits the first byte of data, waits for the master to acknowledge, then transmits the second byte. Figure 8 shows an example-read data sequence.

### I<sup>2</sup>C Compatibility

The MAX5820 is compatible with existing I<sup>2</sup>C systems. SCL and SDA are high-impedance inputs; SDA has an open drain that pulls the data line low during the ninth clock pulse. The Typical Operating Circuit shows a typical I<sup>2</sup>C application. The communication protocol supports the standard I<sup>2</sup>C 8-bit communications. The general call address is ignored. The MAX5820 address is compatible with the 7-bit I<sup>2</sup>C addressing protocol only. No 10-bit address formats are supported.

### Digital-Feedthrough Suppression

When the MAX5820 detects an address mismatch, the serial interface disconnects the SCL signal from the core circuitry. This minimizes digital feedthrough

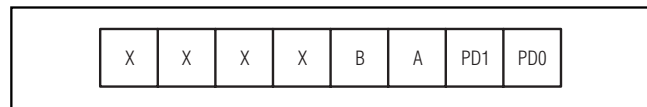


Figure 7. Extended Command Byte Format

caused by the SCL signal on a static output. The serial interface reconnects the SCL signal once a valid START condition is detected.

## Applications Information

### Digital Inputs and Interface Logic

The MAX5820 2-wire digital interface is I<sup>2</sup>C/SMBus compatible. The two digital inputs (SCL and SDA) load the digital input serially into the DAC. Schmitt-trigger buffered inputs allow slow-transition interfaces, such as optocouplers to interface directly to the device. The digital inputs are compatible with CMOS logic levels.

### Power-Supply Bypassing and Ground Management

Careful PC board layout is important for optimal system performance. Keep analog and digital signals separate to reduce noise injection and digital feedthrough. Use a ground plane to ensure that the ground return from GND to the power-supply ground is short and low impedance. Bypass  $V_{DD}$  with a 0.1 $\mu$ F capacitor to ground as close to the device as possible.

# Dual, 8-Bit, Low-Power, 2-Wire, Serial Voltage-Output DAC

MAX5820

**Table 3. Command Byte Definitions**

| SERIAL DATA INPUT |    |    |    |          |          |          |          | FUNCTION  |
|-------------------|----|----|----|----------|----------|----------|----------|---|
| C3                | C2 | C1 | C0 | D7       | D6       | D5       | D4       |   |
| 0                 | 0  | 0  | 0  | DAC DATA | DAC DATA | DAC DATA | DAC DATA | Load DAC A input and DAC registers with new data. Contents of DAC B input registers are transferred to the DAC register. All outputs are updated.                 |
| 0                 | 0  | 0  | 1  | DAC DATA | DAC DATA | DAC DATA | DAC DATA | Load DAC B input and DAC registers with new data. Contents of DAC A input registers are transferred to the DAC register. All outputs are updated.                 |
| 0                 | 1  | 0  | 0  | DAC DATA | DAC DATA | DAC DATA | DAC DATA | Load DAC A input register with new data. DAC outputs remain unchanged.  |
| 0                 | 1  | 0  | 1  | DAC DATA | DAC DATA | DAC DATA | DAC DATA | Load DAC B input register with new data. DAC outputs remain unchanged.  |
| 1                 | 0  | 0  | 0  | DAC DATA | DAC DATA | DAC DATA | DAC DATA | Data in all input registers is transferred to respective DAC registers. All DAC outputs are updated simultaneously. New data is loaded into DAC A input register. |
| 1                 | 0  | 0  | 1  | DAC DATA | DAC DATA | DAC DATA | DAC DATA | Data in all input registers is transferred to respective DAC registers. All DAC outputs are updated simultaneously. New data is loaded into DAC B input register. |
| 1                 | 1  | 0  | 0  | DAC DATA | DAC DATA | DAC DATA | DAC DATA | Load all DACs with new data and update all DAC outputs simultaneously. Both input and DAC registers are updated with new data.                                    |
| 1                 | 1  | 0  | 1  | DAC DATA | DAC DATA | DAC DATA | DAC DATA | Load all input registers with new data. DAC outputs remain unchanged.   |
| 1                 | 1  | 1  | 0  | X        | X        | X        | X        | Update all DAC outputs simultaneously. Device ignores D7–D4. Do not send the data byte.   |
| 1                 | 1  | 1  | 1  | 0        | 0        | 0        | 0        | Extended command mode. The next word writes to the power-down registers (see the <i>Extended Command Mode</i> section).   |
| 1                 | 1  | 1  | 1  | 0        | 0        | 0        | 1        | Read DAC A data. The device expects an $S_r$ condition followed by an address word with $R/\overline{W} = 1$ .  |
| 1                 | 1  | 1  | 1  | 0        | 0        | 1        | 0        | Read DAC B data. The device expects an $S_r$ condition followed by an address word with $R/\overline{W} = 1$ .  |

# Dual, 8-Bit, Low-Power, 2-Wire, Serial Voltage-Output DAC

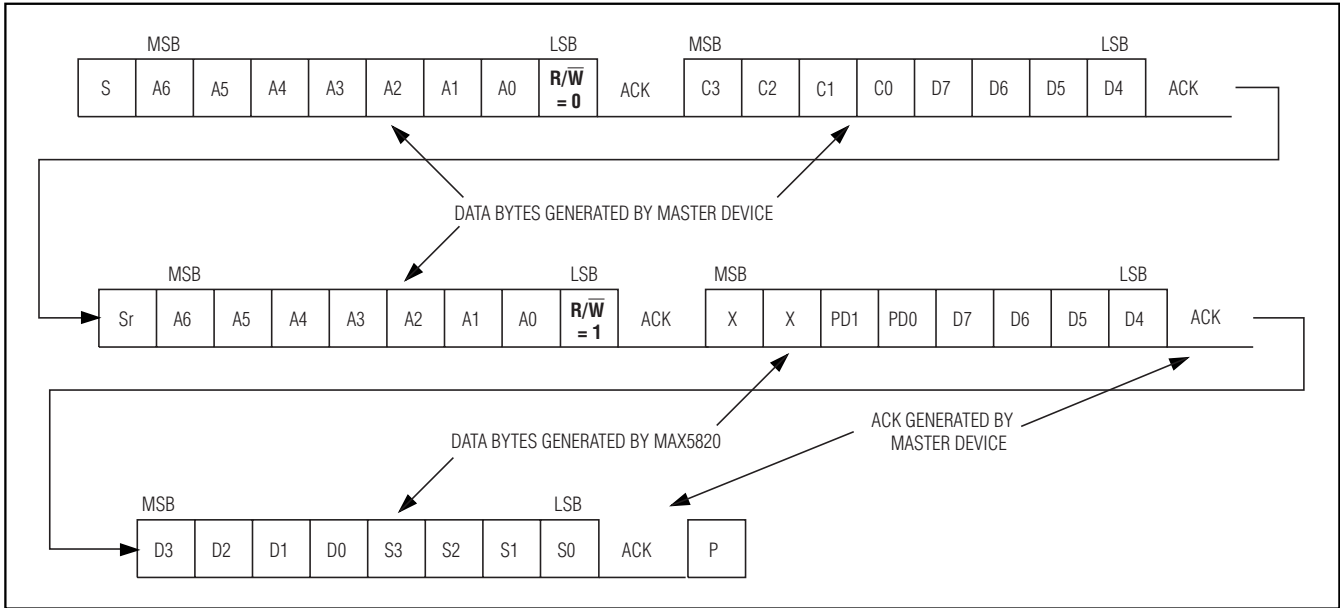
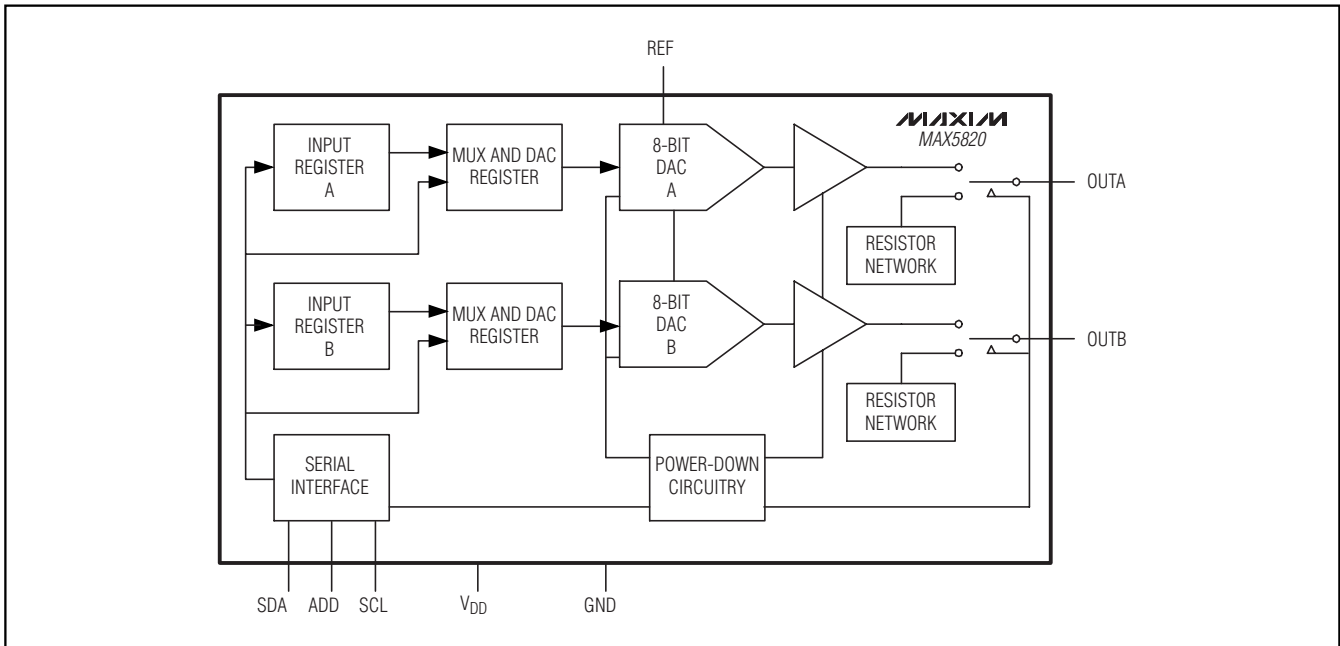


Figure 8. Example-Read Word Data Sequence

## Functional Diagram



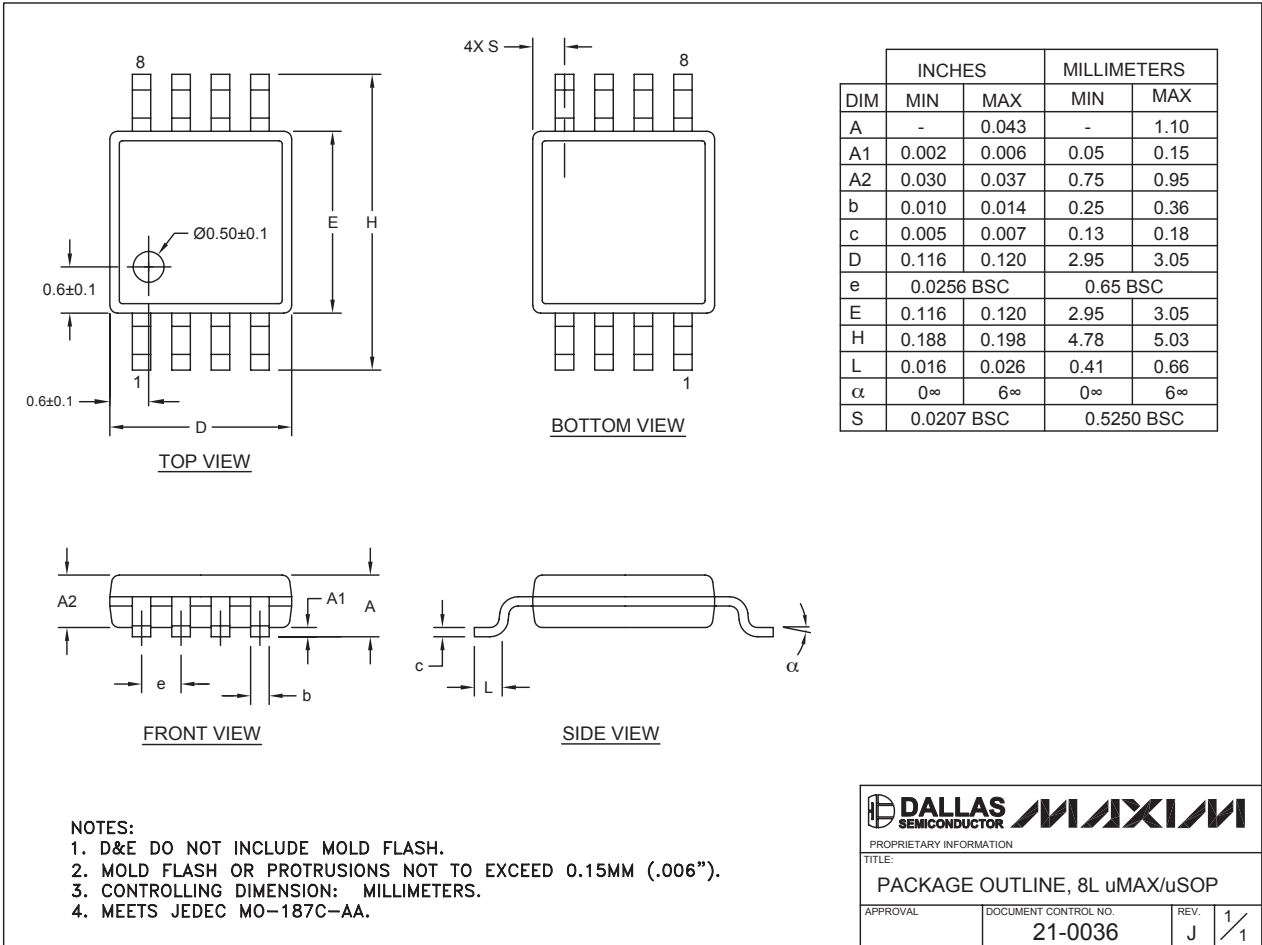
## Chip Information

TRANSISTOR COUNT: 11,186  
 PROCESS: BICMOS

# Dual, 8-Bit, Low-Power, 2-Wire, Serial Voltage-Output DAC

## Package Information

MAX5820



8LUMAXD.EPS

Maxim cannot assume responsibility for use of any circuitry other than circuitry entirely embodied in a Maxim product. No circuit patent licenses are implied. Maxim reserves the right to change the circuitry and specifications without notice at any time.

Maxim Integrated Products, 120 San Gabriel Drive, Sunnyvale, CA 94086 408-737-7600 13