

7 E 1 CHANNELS SWITCH ARRAY

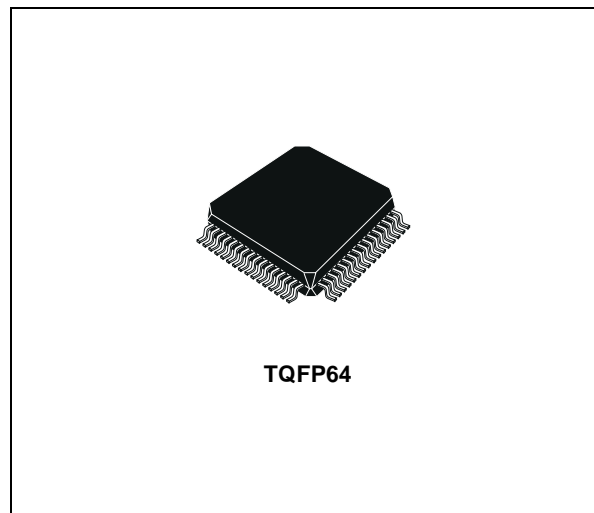
- MAIN SWITCHES MAX. R_{ON} LESS THAN 2Ω
- PROVIDES 7 AUXILIARY SWITCHES WITH $R_{ON} < 75\Omega$
- $6V_{PP}$ AMPLITUDE OF ANALOG INPUT SIGNAL
- DIGITAL INPUTS ARE TTL LEVELS COMPATIBLE

DESCRIPTION

The STM7E1 consists in 7 identical ISDN E1 channels, each channel corresponding to 4 main low-resistant switches (a and b) and 2 auxiliary switches (c and d). The switches positions in all the channels are identical and controlled by a unique control resource driven by the digital inputs Lm, Ls and Sc.

In each channel, the TX and RX lines can be switched between a Main port or a Spare-port by the main switches: if both "a" switches are closed and both "b" switches are open, the Main port is connected to the line, while if both "a" switches are open and both "b" switches are closed, the spare port is connected to the line.

The 2 auxiliary switches enable to close a local loop between the TX and RX access of a port: if "c" is closed, the Spare port RX and TX access is connected between each other to form a local loop, while if "d" is closed, the Main port RX and TX access is connected between each other to form a local loop.



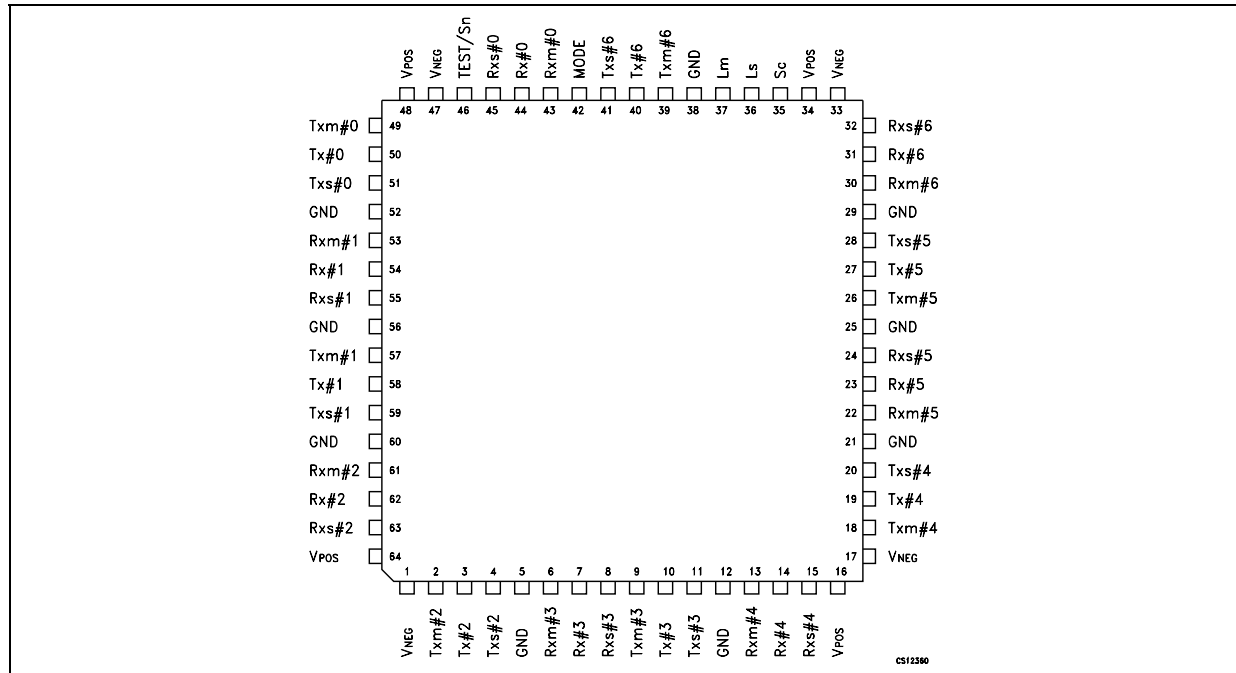
The Spare port is only used for test purpose on the system board while the Main port is the communication channel. Consequently, a switching from the Main port to the Spare port occurs very rarely (<10 times a day).

The power supplies of the chip need to be decoupled properly. This means that at least one external capacitor C1 must be connected in between GND and VPOS, one external capacitor C2 between GND and VNEG, and one external capacitor C3 between each pair of VNEG and VPOS.

ORDERING CODES

Type	Temperature Range	Package	Comments
STM7E1A	-40 to 85 °C	TQFP64 (Tray)	160 parts per Tray
STM7E1AR	-40 to 85 °C	TQFP64 (Tape & Reel)	1000 parts per reel

PIN CONFIGURATION



PIN DESCRIPTION

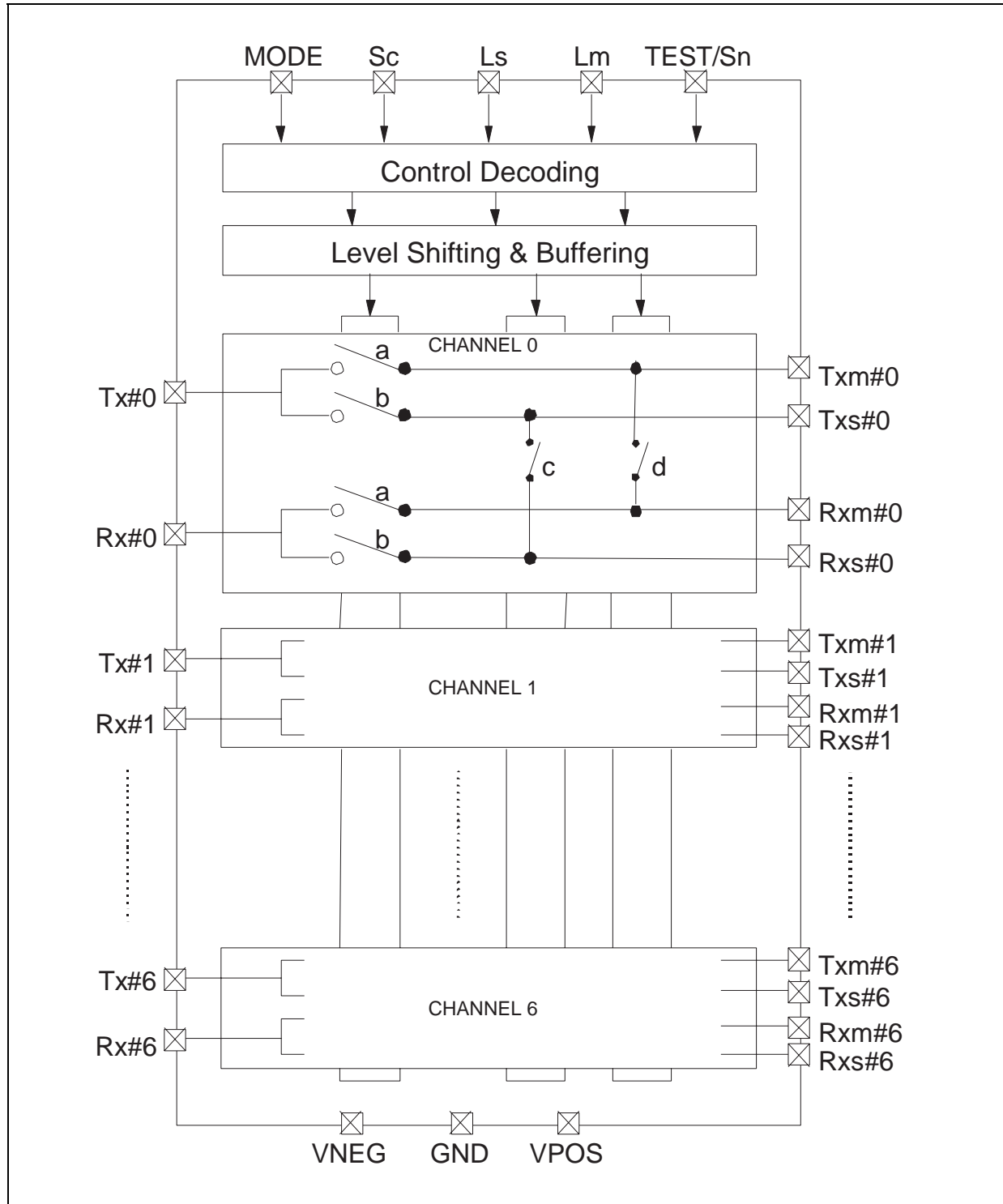
PIN N°	SYMBOL	TYPE	NAME AND FUNCTION
1, 17, 33, 47	V _{NEG} (1)	P	Negative Power Supply
2	Txm#2	IOA	Channel 2: TX main port
3	Tx#2	IOA	Channel 2: TX line
4	Txs#2	IOA	Channel 2: TX spare port
5, 12, 21, 25, 29, 38, 52, 56, 60	GND	G	Voltage Reference for digital inputs
6	Rxm#3	IOA	Channel 3: RX main port
7	Rx#3	IOA	Channel 3: RX line
8	Rxs#3	IOA	Channel 3: RX spare port
9	Txm#3	IOA	Channel 3: TX main port
10	Tx#3	IOA	Channel 3: TX line
11	Txs#3	IOA	Channel 3: TX spare port
13	Rxm#4	IOA	Channel 4: RX main port
14	Rx#4	IOA	Channel 4: RX line
15	Rxs#4	IOA	Channel 4: RX spare port
16, 34, 48, 64	V _{POS} (2)	P	Positive Power Supply
18	Txm#4	IOA	Channel 4: TX main port
19	Tx#4	IOA	Channel 4: TX line
20	Txs#4	IOA	Channel 4: TX spare port
22	Rxm#5	IOA	Channel 5: RX main port
23	Rx#5	IOA	Channel 5: RX line
24	Rxs#5	IOA	Channel 5: RX spare port
26	Txm#5	IOA	Channel 5: TX main port
27	Tx#5	IOA	Channel 5: TX line
28	Txs#5	IOA	Channel 5: TX spare port
30	Rxm#6	IOA	Channel 6: RX main port

PIN N°	SYMBOL	TYPE	NAME AND FUNCTION
31	Rx#6	IOA	Channel 6: RX line
32	Rxs#6	IOA	Channel 6: RX spare port
35	Sc	I	Control digital input
36	Ls	I	Control digital input
37	Lm	I	Control digital input
39	Txm#6	IOA	Channel 6: TX main port
40	Tx#6	IOA	Channel 6: TX line
41	Txs#6	IOA	Channel 6: TX spare port
42	Mode	I	Control Digital Input
43	Rxm#0	IOA	Channel 0: RX main port
44	Rx#0	IOA	Channel 0: RX line
45	Rxs#0	IOA	Channel 0: RX spare port
46	TEST/Sn	I	Channel 6: RX main port
49	Txm#0	IOA	Channel 0: TX main port
50	Tx#0	IOA	Channel 0: TX line
51	Txs#0	IOA	Channel 0: TX spare port
53	Rxm#1	IOA	Channel 1: RX main port
54	Rx#1	IOA	Channel 1: RX line
55	Rxs#1	IOA	Channel 1: RX spare port
57	Txm#1	IOA	Channel 1: TX main port
58	Tx#1	IOA	Channel 1: TX line
59	Txs#1	IOA	Channel 1: TX spare port
61	Rxm#2	IOA	Channel 2: RX main port
62	Rx#2	IOA	Channel 2: RX line
63	Rxs#2	IOA	Channel 2: RX spare port

NOTE 1: All VNEG pins to be connected together on board.

NOTE 2: All VPOS pins to be connected together on board.

TYPICAL OPERATING CIRCUIT



DECODING OF FUNCTIONAL MODE 1 (MODE = L)

Main Switches	Sc low	a closed, b open	Main port is connected to the line
	Sc high	a open, b closed	Spare port is connected to the line
Auxiliary Switches	Lm low	d open	Main port local loop open
	Lm high	d closed	Main port local loop closed
	Ls low	c open	Spare port local loop open
	Ls high	c closed	Spare port local loop closed

When closing the main port local loop (Lm high), it is external system responsibility to ensure that the main port has previously been disconnected from the line (Sc has to be high). There is no internal mechanism to ensure this.

When closing the spare port local loop (Ls high), it is external system responsibility to ensure that the spare port has previously been disconnected from the line (Sc has to be high). There is no internal mechanism to ensure this.

DECODING OF FUNCTIONAL MODE 2 (MODE = H)

INPUT		OUTPUTS	
TEST/Sn		A_TX	B_TX
L		O	C
H		C	O

C = Closed
O = Open

INPUTS			OUTPUTS			
Sc	Lm	Ls	A_RX	B_RX	c	d
L	L	L	C	C	O	O
L	L	H	C	O	C	O
L	H	L	O	C	O	C
L	H	H	C	O	O	O
H	L	L	O	C	O	O

C = Closed
O = Open

TEST MODE DESCRIPTION (MODE = 0, TEST = 1)

In order to test the main switches (4-point measurement), test modes are foreseen where the main switches can be controlled independently from each other. One can enter in test mode by controlling the Sc, Lm and Ls pins according to the following table.

The digital part and auxiliary switches can be tested in functional mode.

Signification	Sc	Lm	Ls
A_TX closed	H	H	L
A_RX closed	L	H	L
B_TX closed	H	L	H
B_RX closed	L	L	H
B_TX & c closed	H	L	L
A_RX & d closed	L	L	L
All main switches open	H	H	H
	L	H	H

Note 1: Although there is an internal pull down in the TEST pin, an external hardware connection from TEST to GND is required on the board to work in functional mode.

ABSOLUTE MAXIMUM RATINGS

Symbol	Description	Min	Max	Unit
V _{POS}	Positive Power Supply Voltage	V _{NEG} - 0.3	V _{NEG} + 7	V
GND	Reference Ground	V _{NEG} - 0.3	V _{NEG} + 7	V
V _{IN}	Input Voltage for Digital Inputs and Analog Input/Output Pins	V _{NEG} - 0.3	V _{NEG} + 7	V

Absolute Maximum Ratings are those values beyond which damage to the device may occur. Functional operation under these condition is not implied.

RECOMMENDED OPERATING CONDITIONS

Symbol	Parameter	Min	TYP	Max	Unit
V _{POS}	Positive Power Supply Voltage	3.3 - 5%		3.3 + 5%	V
V _{NEG}	Negative Power Supply Voltage	-3.3 - 5%		-3.3 + 5%	V
T _{amb}	Ambient Temperature	-25		85	°C
T _J	Junction Temperature	-25		120	°C
I _{peak, switch}	Admissible peak Current in 1 Switch			300	mA
C _{la}	Load Capacitance on ASIC output			70	pF

DIGITAL PART SPECIFICATIONS

Symbol	Parameter	Value			Unit
		Min.	Typ.	Max.	
V _{IL}	Low Input Level	0		0.8	V
V _{IH}	High Input Level	2		V _{POS}	V
V _{IT}	Low-High Switching Threshold Voltage		1.6		V
I _{leak}	Input Leakage Current	-3		3	

ANALOG PART SPECIFICATIONS

Symbol	Parameter	Test Condition	Value			Unit
			Min.	Typ.	Max.	
$R_{ON(main)}^{(1)}$	On-resistance of the main switches			1.6	2	Ω
$R_{ON(aux)}^{(1)}$	On-resistance of the auxiliary switches			50	75	Ω
$\Delta R_{ON(main)}^{(1)}$	Difference of R_{ON} between devices	$V_{IN} = 2V, T_A = 25^\circ C$		0.5		Ω
$\Delta R_{ON(main)}^{(1)}$	Difference of R_{ON} between switches of the same device	$V_{IN} = 2V, T_A = 25^\circ C$			0.8	Ω
$R_{off}^{(1,2)}$	Off-resistance of the main and auxiliary switches		100			$k\Omega$
$C_{pin}^{(3)}$	Capacitance at any switch pin, switch ON			50	120	μF
$A_{peak,signal}^{(1)}$	Peak amplitude of the signal at switch pins		-3		3	V_p
$f_{signal}^{(1,4)}$	Frequency of the signal at switch pins (3dB bandwidth)		50		12000	KHz
Cross-talk ^(1,5)	Cross-talk between lines			4	8	mV_{rms}
t	Switch time of the main switches (a and b)			0.15	1	μs

NOTE 1: all the parameters are valid only with a 75Ω ($\pm 5\%$) load to GND.

NOTE 2: measured with a 5V DC voltage applied to a closed switch.

NOTE 3: not tested in production.

NOTE 4: measured with a 2Vpp signal.

NOTE 5: measured with the line connected to GND at one side with a 75Ω resistor and all the other lines driven by a 1MHz, 2Vpp sine wave signal.

NOTE 6: during the switching between the main and spare ports, the behaviour of the component is not guaranteed: both main switches can be open (break before make).

NOTE 7: measured with the line switching from a 2.5V DC level (main or spare port) to a -2.5V DC level (spare or main port).

CURRENT CONSUMPTION SPECIFICATIONS

Symbol	Parameter	Value			Unit
		Min.	Typ.	Max.	
$P_{main}^{(1)}$	Maximal average power dissipation in the main switches			40	mW
$P_{aux}^{(1)}$	Maximal average power dissipation in the auxiliary switches			150	mW
$I_{STDBY(VNEG)}^{(1,3)}$	Standby (no switching) current of VNEG	-500		500	μA
$I_{STDBY(VPOS)}^{(1,3)}$	Standby (no switching) current of VPOS	-500		500	μA
$E_{SWITCH(VNEG)}^{(1)}$	Energy to be delivered to by VPOS when switching	-100		100	nJ
$E_{SWITCH(VPOS)}^{(1)}$	Energy to be delivered to by VPOS when switching	-100		100	nJ

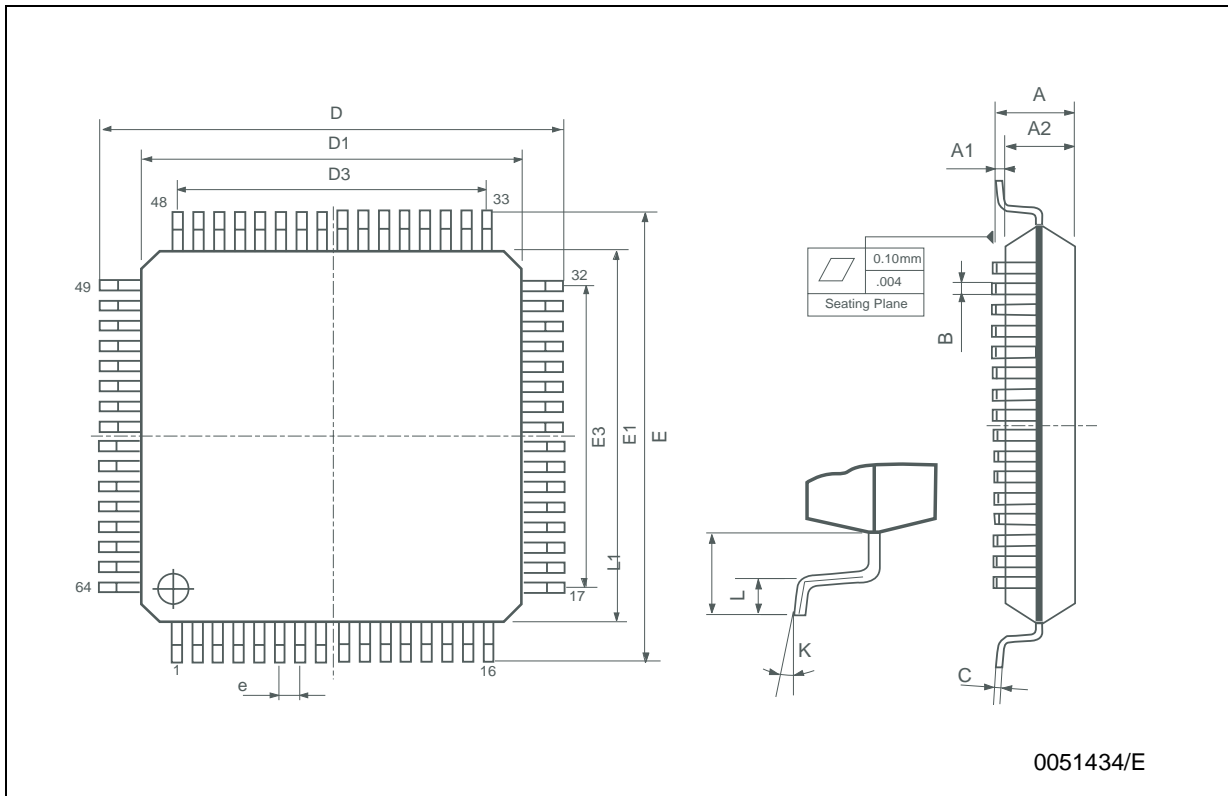
NOTE 1: these parameters are not tested in production.

NOTE 2: this power is not delivered by V_{POS} and V_{NEG} supplies but by the signal sources.

NOTE 3: only valid with digital inputs to GND or V_{POS} levels.

TQFP64 MECHANICAL DATA

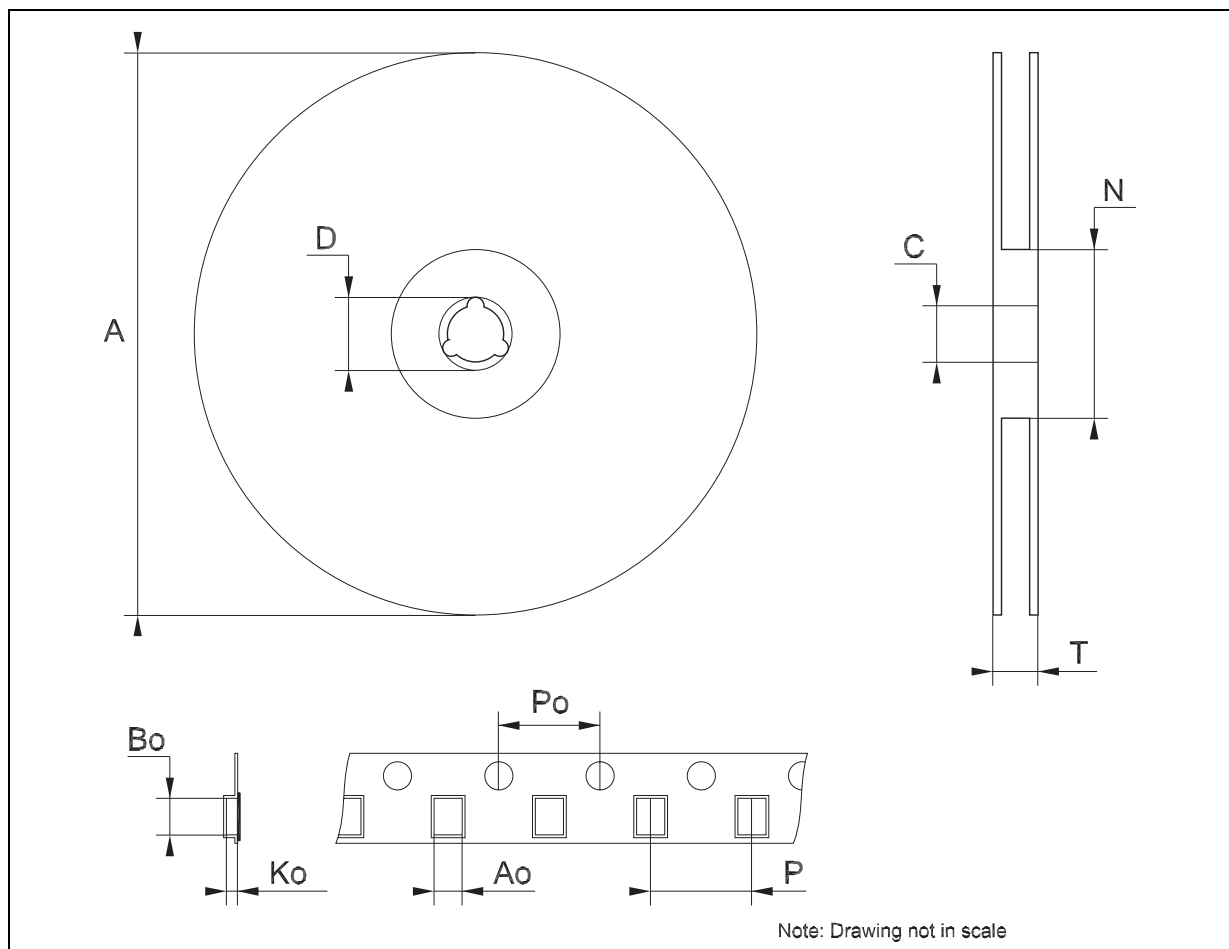
DIM.	mm.			inch		
	MIN.	TYP	MAX.	MIN.	TYP.	MAX.
A			1.6			0.063
A1	0.05		0.15	0.002		0.006
A2	1.35	1.40	1.45	0.053	0.055	0.057
B	0.17	0.22	0.27	0.007	0.009	0.011
C	0.09		0.20	0.004		0.008
D	11.80	12.00	12.20	0.465	0.472	0.480
D1	9.80	10.00	10.20	0.386	0.394	0.402
D3		7.50			0.295	
E	11.80	12.00	12.20	0.465	0.472	0.480
E1	9.80	10.00	10.20	0.386	0.394	0.402
E3		7.50			0.295	
e		0.50			0.020	
L	0.45	0.60	0.75	0.018	0.024	0.030
L1		1.00			0.039	
K	0°	3.5°	7°	0°	3.5°	7°



0051434/E

Tape & Reel TQFP64 MECHANICAL DATA

DIM.	mm.			inch		
	MIN.	TYP	MAX.	MIN.	TYP.	MAX.
A			330			12.992
C	12.8		13.2	0.504		0.519
D	20.2			0.795		
N	60			2.362		
T			30.4			1.196
Ao	12.25		12.45	0482		0.490
Bo	12.25		12.45	0482		0.490
Ko	2.1		2.3	0.083		0.091
Po	3.9		4.1	0.153		0.161
P	15.9		16.1	0.626		0.639



Information furnished is believed to be accurate and reliable. However, STMicroelectronics assumes no responsibility for the consequences of use of such information nor for any infringement of patents or other rights of third parties which may result from its use. No license is granted by implication or otherwise under any patent or patent rights of STMicroelectronics. Specifications mentioned in this publication are subject to change without notice. This publication supersedes and replaces all information previously supplied. STMicroelectronics products are not authorized for use as critical components in life support devices or systems without express written approval of STMicroelectronics.

© The ST logo is a registered trademark of STMicroelectronics

© 2002 STMicroelectronics - Printed in Italy - All Rights Reserved
STMicroelectronics GROUP OF COMPANIES

Australia - Brazil - Canada - China - Finland - France - Germany - Hong Kong - India - Israel - Italy - Japan - Malaysia - Malta - Morocco
Singapore - Spain - Sweden - Switzerland - United Kingdom - United States.

© <http://www.st.com>